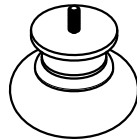
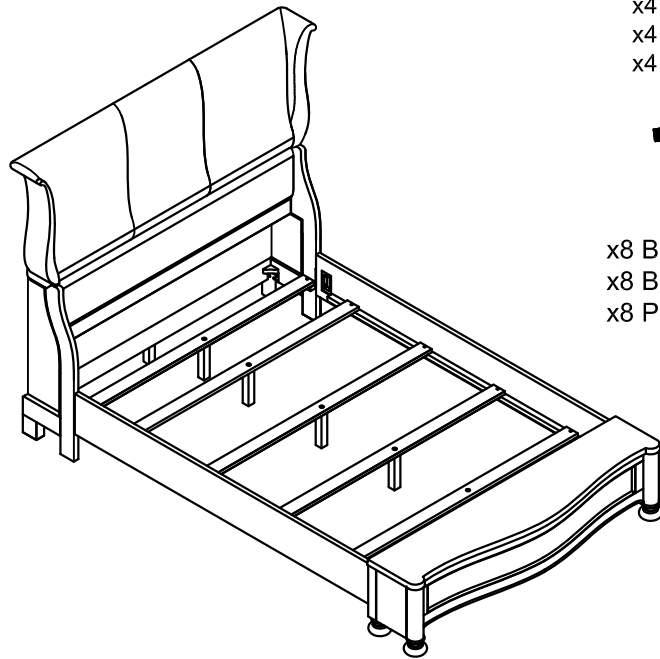


PARTS LIST / LISTE DES PIÈCES / LISTA DE PIEZAS

ITEM NO. / ARTICLE NO. / ARTICULO NO : P349150/P349151/P349152

DESCRIPTION/LA DESCRIPCION/DESCRIPCIÓN : 5/0 UPH Headboard-Tête de grand lit capitonnée-Cabecera tapizada de 5/0
 5/0 UPH FB & Slats-Pied de grand lit capitonné avec banc de lit-Pie de cama tapizado con listones de 5/0
 5/0-6/6 Side Rails-Traverses de grand lit et très grand lit standard-Travesaños laterales de 5/0-6/6



G

x4 Foot *
x4 Pied
x4 Pie



H

x5 Slats *
x5 Lattes
x5 Listones



I

x5 Slat support leg *
x5 Pattes centrales
x5 Patas centrales



J

x6 Adjustable leveler-White *
x6 Patin réglable
x6 Nivelador ajustable



A

x8 Bolt 5/16*90MM *
x8 Boulon
x8 Perno



B

x8 Flat Washer 5/16*19mm *
x8 Rondelle plate
x8 Arandela plana



C

x8 Lock washer-CL 5/16 *
x8 Rondelle de blocage
x8 Arandela de Seguridad



D

x8 Hex nut Ø5/16"x12*15mm *
x8 Écrou hexagonal
x8 Tuerca hexagona



E

x1 Open Wrench Ø5/16"x1.5mm *
x1 Clé à fourche
x1 Llave de boca

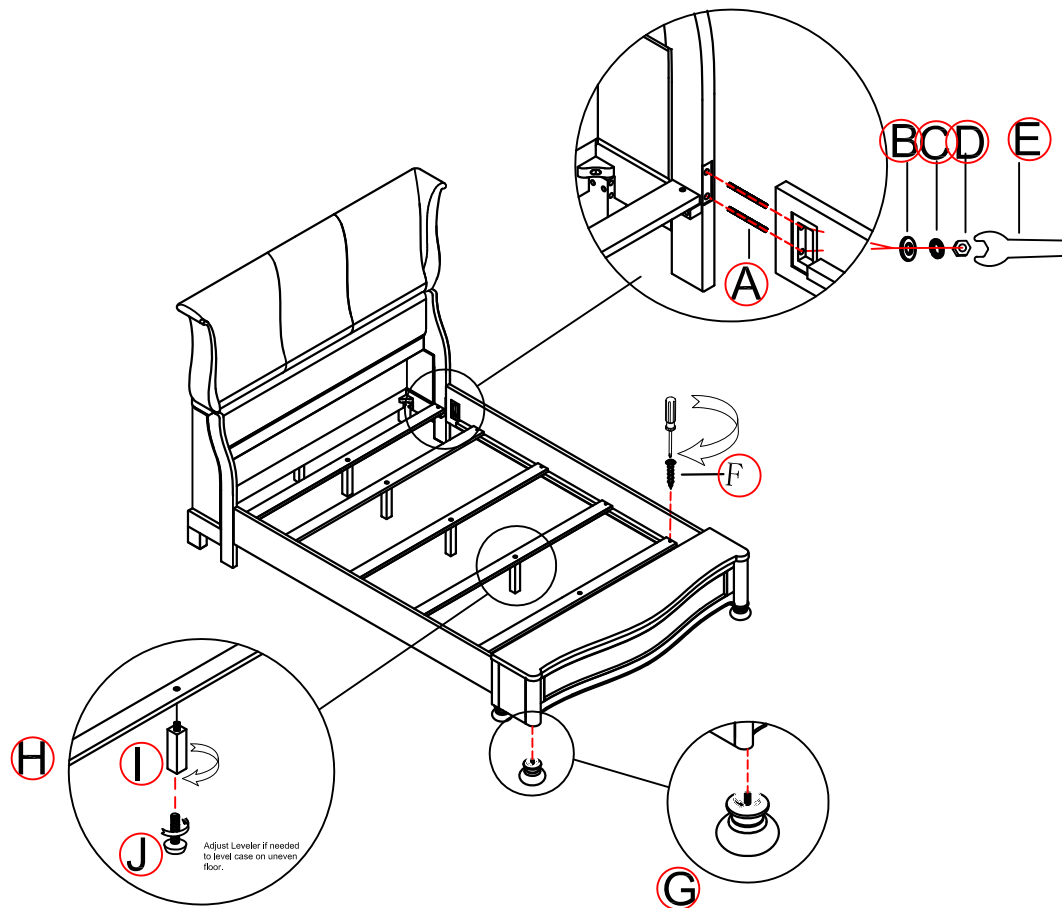


F

x10 Screw 1 1/4" *
x10 Vis à bois
x10 Tornillo para madera

* Replaceable Part

DESCRIPTION/LA DESCRIPCION/DESCRIPCIÓN :5/0 UPH Headboard-Tête de grand lit capitonnée-Cabecera tapizada de 5/0
5/0 UPH FB & Slats-Pied de grand lit capitonné avec banc de lit-Pie de cama tapizado con listones de 5/0
5/0-6/6 Side Rails-Traverses de grand lit et très grand lit standard-Travesaños laterales de 5/0-6/6

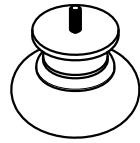


* Replaceable Part

REPLACEABLE PART/ PARTIE REMPLACABLE/ PARTE REEMPLAZABLE

ITEM NO. / ARTICLE NO. / ARTICULO NO : P349150/P349151/P349152

DESCRIPTION/LA DESCRIPCION/DESCRIPCIÓN :5/0 UPH Headboard-Tête de grand lit capitonnée-Cabecera tapizada de 5/0
5/0 UPH FB & Slats-Pied de grand lit capitonné avec banc de lit-Pie de cama tapizado con listones de 5/0
5/0-6/6 Side Rails-Traverses de grand lit et très grand lit standard-Travesaños laterales de 5/0-6/6



RP349151-FOOT *
x4 Foot
x4 Pied
x4 Pie



RP349151-SLAT *
x5 Slats
x5 Lattes
x5 Listones



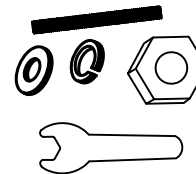
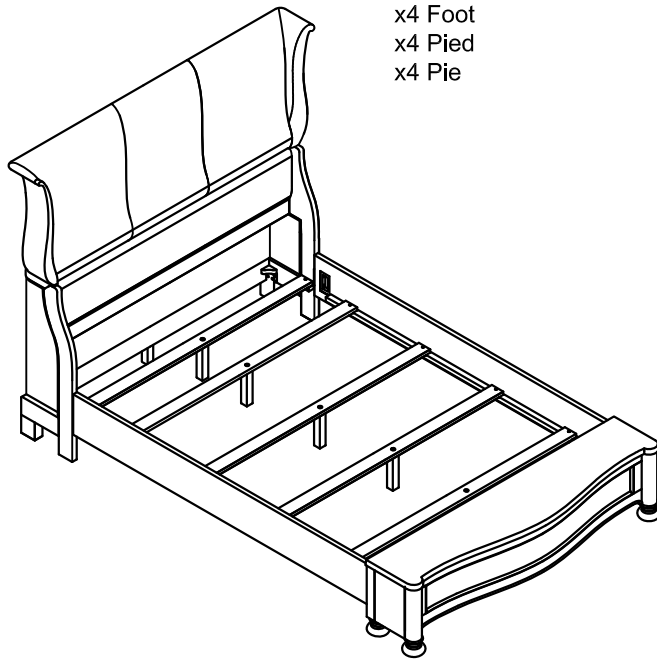
RP349151-SULEG *
x5 Slat support leg
x5 Pattes centrales
x5 Patas centrales



RC-FG-WHITE *
x6 Adjustable leveler-White
x6 Patin réglable
x6 Nivelador ajustable



RC-WH-NAIL *
x8 Plastic Nail-White
x8 Clou en plastique
x8 Clavo de plástico



RP349151-HWKIT *
x1 Hardware Kit
x1 Liste des pièces de quincaillerie
x1 Lista de materiales



RP349151-SCREW *
x10 Screw 1 1/4"
x10 Vis à bois
x10 Tornillo para madera

* Replaceable Part

Protect Your Wood or Laminate Flooring

*This statement applies to any floor without carpet.

If not careful, all furniture including upholstery and case pieces can scratch, scuff and even gouge floors. The recommendation is to have felt, rubber pads or area rugs under furniture on flooring without carpet.

Moving your furniture

Pushing and dragging furniture over floors without carpet can lead to scratches and scuffs. Have someone help when moving the larger pieces of furniture by lifting, try using a dolly or moving pads.

Felt and rubber pads

Applying furniture pads to the feet of furniture helps cushion contact points. Furniture pads can be found at local hardware stores. Felt pads slide easily across the floor, making them ideal for dining chairs and other pieces that move with use. Rubber pads will help furniture stay in place and are perfect for larger pieces, like sofas and loveseats.

Area rugs and rug pads

Using an area rug under furniture is another way to protect your floor from scratches and scuff marks. A rug pad under the area rug will provide extra cushion and added protection.