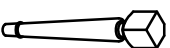


- (A)  
 x1 Chair Back  
 x1 Dossier de chaise  
 x1 Respaldo de silla



- (B)  
 x2 Back Leg \*  
 x2 Patte arrière  
 x2 Pata trasera



- (C)  
 x2 Front Leg \*  
 x2 Patte avant  
 x2 Pata delantera



- (D)  
 x8 Allen bolt  $\phi 5/16$ "x57mm \*  
 x8 Vis à tête creuse hexagonale  $\phi 5/16$ "x57mm  
 x8 Perno Allen  $\phi 5/16$ "x57mm



- (E)  
 x8 Lock washer  $\phi 5/16$ " \*  
 x8 Rondelle de blocage  $\phi 5/16$ "  
 x8 Arandela de Seguridad  $\phi 5/16$ "



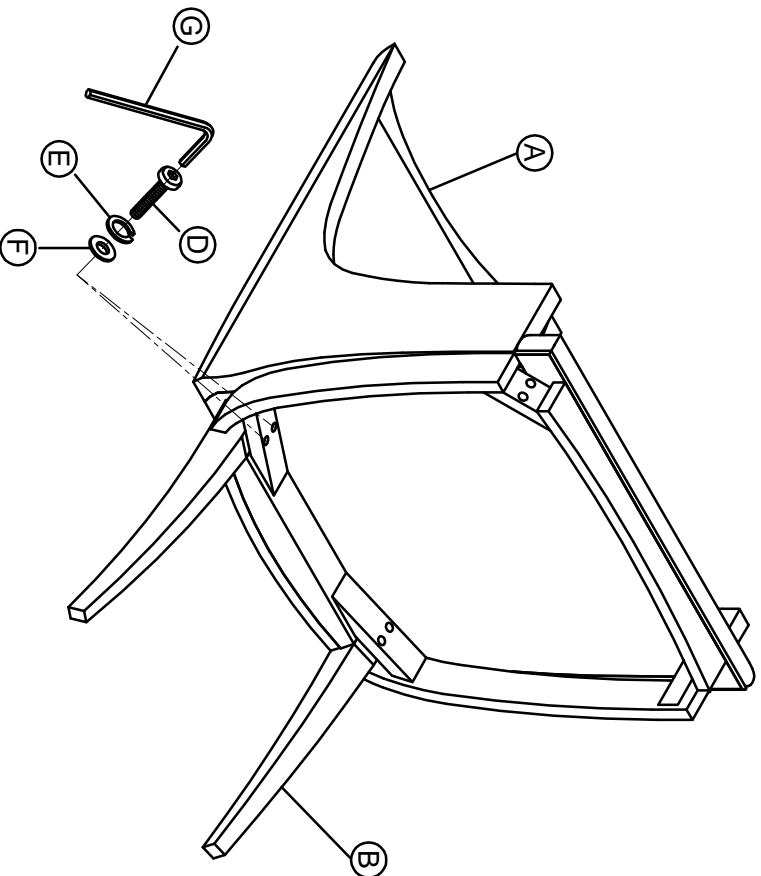
- (F)  
 x8 Flat Washer  $\phi 5/16$ "x22x1.5mm \*  
 x8 Rondelle plate  $\phi 5/16$ "x22x1.5mm  
 x8 Arandela plana  $\phi 5/16$ "x22x1.5mm



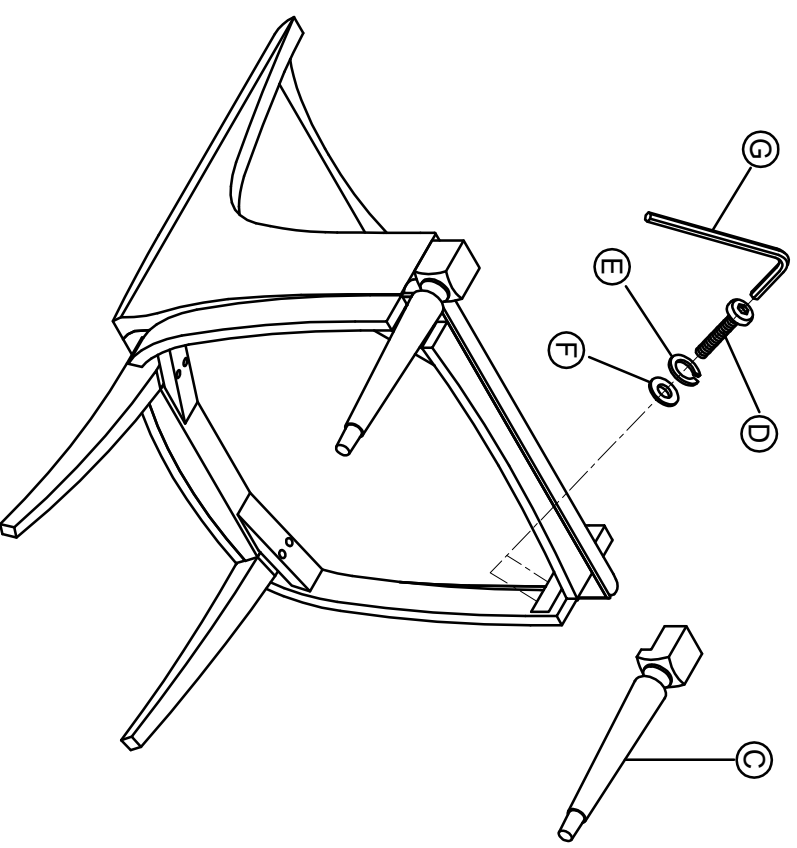
- (G)  
 x1 Allen Key 5mm \*  
 x1 Clé hexagonale 5mm  
 x1 Llave Allen 5mm

\* Replaceable Part

1



2

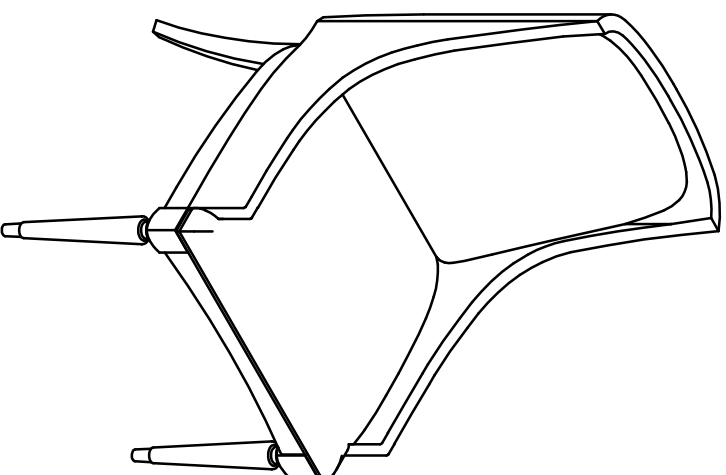


\* Replaceable Part

## REPLACEABLE PART / PARTIE REMPLAÇABLE / PARTE REEMPLAZABLE

ITEM NO. / ARTICLE NO. / ARTICULO NO. : P344271

DESCRIPTION / LA DESCRIPTION / DESCRIPCIÓN : UPHOLSTERED ARM CHAIR / CHAISE À ACCOUDOIRS / SILLA DE BRAZOS



x2 RP344271-LEGB - Back Leg \*  
Pate arrière  
Pata trasera



x2 RP344271-LEGF - Front Leg \*  
Pate avant  
Pata delantera



x1 RP344271-HWKIT - Hardware Kit \*  
Liste des pièces de quincaillerie  
Lista del kit de materiales

\* Replaceable Part

## Protect Your Wood or Laminate Flooring

\*This statement applies to any floor without carpet.

If not careful, all furniture including upholstery and case pieces can scratch, scuff and even gouge floors. The recommendation is to have felt, rubber pads or area rugs under furniture on flooring without carpet.

### **Moving your furniture**

Pushing and dragging furniture over floors without carpet can lead to scratches and scuffs. Have someone help when moving the larger pieces of furniture by lifting, try using a dolly or moving pads.

### **Felt and rubber pads**

Applying furniture pads to the feet of furniture helps cushion contact points. Furniture pads can be found at local hardware stores. Felt pads slide easily across the floor, making them ideal for dining chairs and other pieces that move with use. Rubber pads will help furniture stay in place and are perfect for larger pieces, like sofas and loveseats.

### **Area rugs and rug pads**

Using an area rug under furniture is another way to protect your floor from scratches and scuff marks. A rug pad under the area rug will provide extra cushion and added protection.