

## PARTS LIST / LISTE DES PIÈCES / LISTA DE PIEZAS

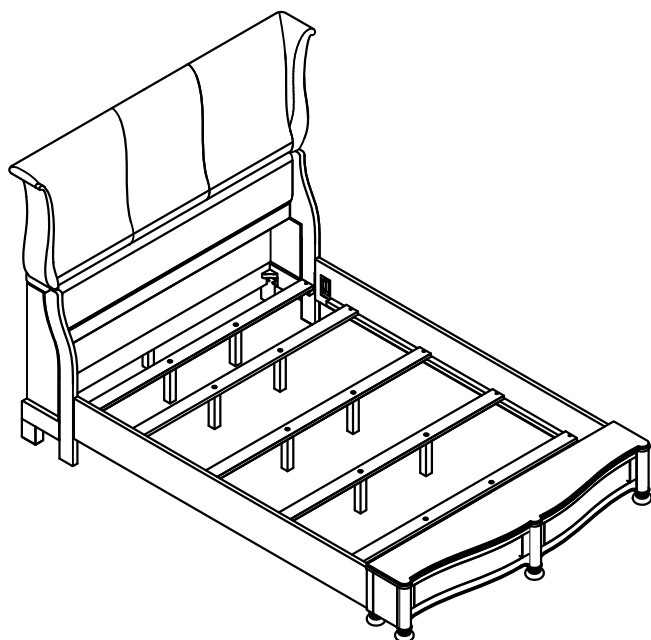
ITEM NO. / ARTICLE NO. / ARTICULO NO : P349160/P349161/P349152/P349167

DESCRIPTION/LA DESCRIPCION/DESCRIPCIÓN : 6/6-6/0 UPH Headboard-Tête de très grand lit standard et californien capitonnée-Cabecera de cama tapizada de 6/6-6/0

6/6-6/0 UPH FB & Slats-Pied de très grand lit standard et californien capitonné avec banc de lit-Pie de cama tapizado de 6/6-6/0 con listones

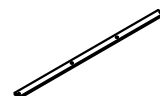
5/0-6/6 Side Rails-Traverses de grand lit et très grand lit standard-Travesaños laterales de 5/0-6/6

6/0 Side Rails-Traverses de très grand lit californien-Travesaños laterales de 6/0



(G)

x6 Foot \*  
x6 Pied  
x6 Pie



(H)

x5 Slats \*  
x5 Lattes  
x5 Listones



(I)

x10 Slat support leg \*  
x10 Pattes centrales  
x10 Patas centrales



(J)

x11 Adjustable leveler-White \*  
x11 Patin réglable  
x11 Nivelador ajustable



(A)

x8 Bolt 5/16\*90MM \*  
x8 Boulon  
x8 Perno



(B)

x8 Flat Washer \*  
5/16\*19mm  
x8 Rondelle plate  
x8 Arandela plana



(C)

x8 Lock washer-CL 5/16\*  
x8 Rondelle de blocage  
x8 Arandela de Seguridad



(D)

x8 Hex nut \*  
Ø5/16"x12\*15mm  
x8 Écrou hexagonal  
x8 Tuerca hexagona



(E)

x1 Open Wrench \*  
Ø5/16"x1.5mm  
x1 Clé à fourche  
x1 Llave de boca



(F)

x10 Screw 1 1/4" \*  
x10 Vis à bois  
x10 Tornillo para madera

\* Replaceable Part

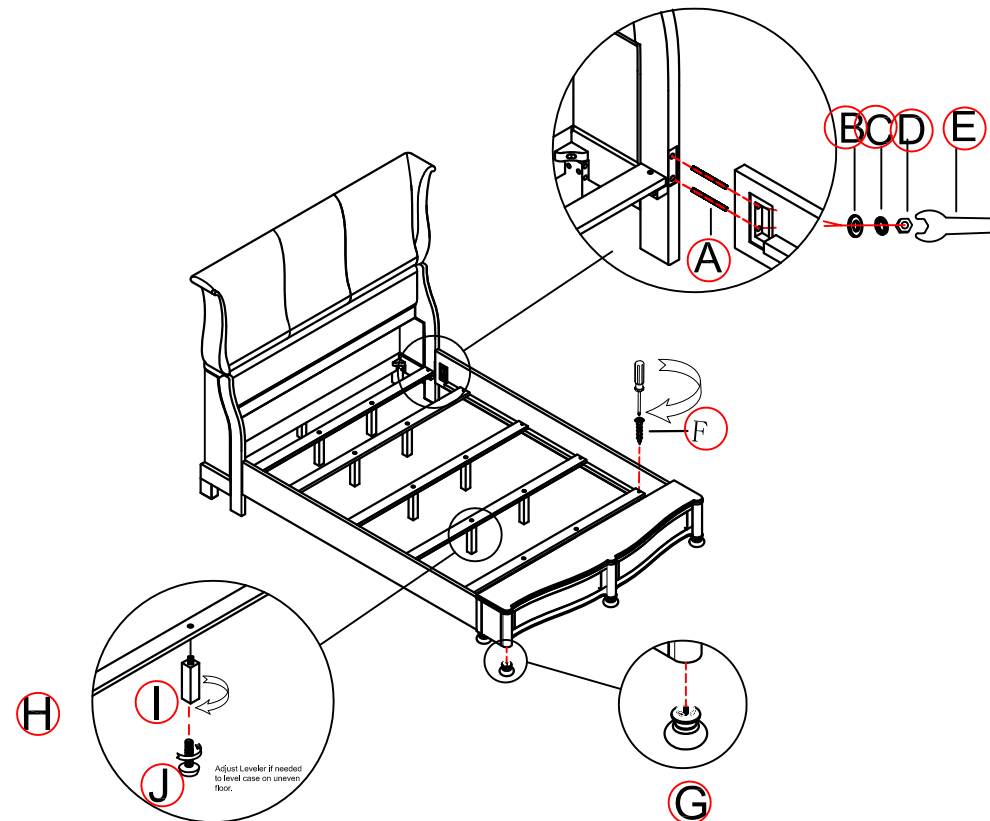
ITEM NO. / ARTICLE NO. / ARTICULO NO : P349160/P349161/P349152/P349167

DESCRIPTION/LA DESCRIPCION/DESCRIPCIÓN : 6/6-6/0 UPH Headboard-Tête de très grand lit standard et californien capitonnée-Cabecera de cama tapizada de 6/6-6/0

6/6-6/0 UPH FB & Slats-Pied de très grand lit standard et californien capitonné avec banc de lit-Pie de cama tapizado de 6/6-6/0 con listones

5/0-6/6 Side Rails-Traverses de grand lit et très grand lit standard-Travesaños laterales de 5/0-6/6

6/0 Side Rails-Traverses de très grand lit californien-Travesaños laterales de 6/0

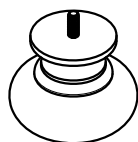


\* Replaceable Part

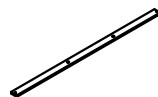
## REPLACEABLE PART/ PARTIE REMPLACABLE/ PARTE REEMPLAZABLE

ITEM NO. / ARTICLE NO. / ARTICULO NO : P349160/P349161/P349152/P349167

DESCRIPTION/LA DESCRIPCION/DESCRIPCIÓN : 6/6-6/0 UPH Headboard-Tête de très grand lit standard et californien capitonnée-Cabecera de cama tapizada de 6/6-6/0  
6/6-6/0 UPH FB & Slats-Pied de très grand lit standard et californien capitonné avec banc de lit-Pie de cama tapizado de 6/6-6/0 con listones  
5/0-6/6 Side Rails-Traverses de grand lit et très grand lit standard-Travesaños laterales de 5/0-6/6  
6/0 Side Rails-Traverses de très grand lit californien-Travesaños laterales de 6/0



RP349151-FOOT \*  
x6 Foot  
x6 Pied  
x6 Pie



RP349161-SLAT \*  
x5 Slats  
x5 Lattes  
x5 Listones



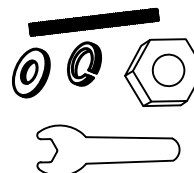
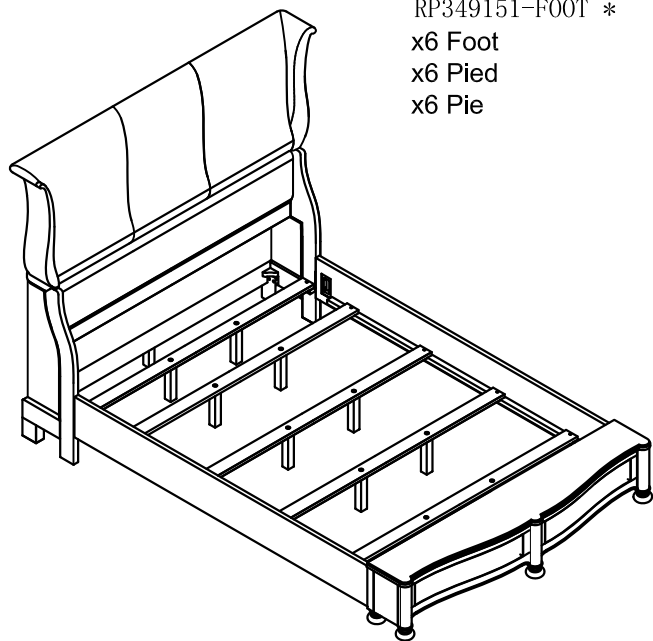
RP349151-SULEG \*  
x10 Slat support leg  
x10 Pattes centrales  
x10 Patas centrales



RC-FG-WHITE \*  
x11 Adjustable leveler-White  
x11 Patin réglable  
x11 Nivelador ajustable



RC-WH-NAIL \*  
x10 Plastic Nail-White  
x10 Clou en plastique  
x10 Clavo de plástico



RP349151-HWKIT \*  
x1 Hardware Kit  
x1 Liste des pièces de quincaillerie  
x1 Lista de materiales



RP349151-SCREW \*  
x10 Screw 1 1/4"  
x10 Vis à bois  
x10 Tornillo para madera

\* Replaceable Part

## **Protect Your Wood or Laminate Flooring**

\*This statement applies to any floor without carpet.

If not careful, all furniture including upholstery and case pieces can scratch, scuff and even gouge floors. The recommendation is to have felt, rubber pads or area rugs under furniture on flooring without carpet.

### **Moving your furniture**

Pushing and dragging furniture over floors without carpet can lead to scratches and scuffs. Have someone help when moving the larger pieces of furniture by lifting, try using a dolly or moving pads.

### **Felt and rubber pads**

Applying furniture pads to the feet of furniture helps cushion contact points. Furniture pads can be found at local hardware stores. Felt pads slide easily across the floor, making them ideal for dining chairs and other pieces that move with use. Rubber pads will help furniture stay in place and are perfect for larger pieces, like sofas and loveseats.

### **Area rugs and rug pads**

Using an area rug under furniture is another way to protect your floor from scratches and scuff marks. A rug pad under the area rug will provide extra cushion and added protection.