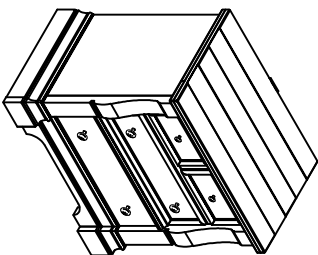
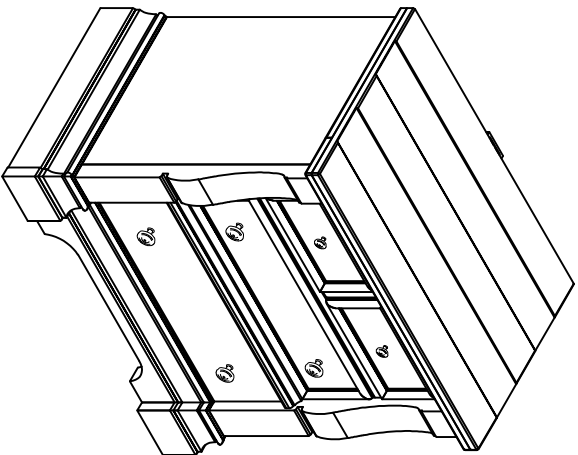


⚠ WARNING	
	<p>Children have died from furniture tipover. To reduce the risk of furniture tipover:</p> <ul style="list-style-type: none"> - ALWAYS install anti-tip device provided. - NEVER put a TV on this product. - NEVER allow children to stand, climb, or hang on any drawers, doors, or shelves. - NEVER open more than one drawer at a time. - Place heaviest items in the lowest drawers. <p><i>This is a permanent label. Do not remove!</i></p>
	



A

- x1 Nightstand
- x1 Table de chevet
- x1 Mesa de noche



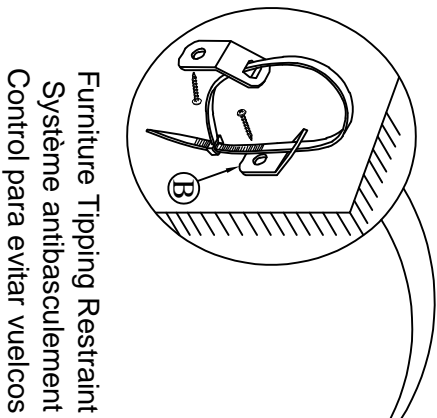
B

- x1 Furniture Tipping Restraint
- x1 Système antibasculement
- x1 Control para evitar vuelcos

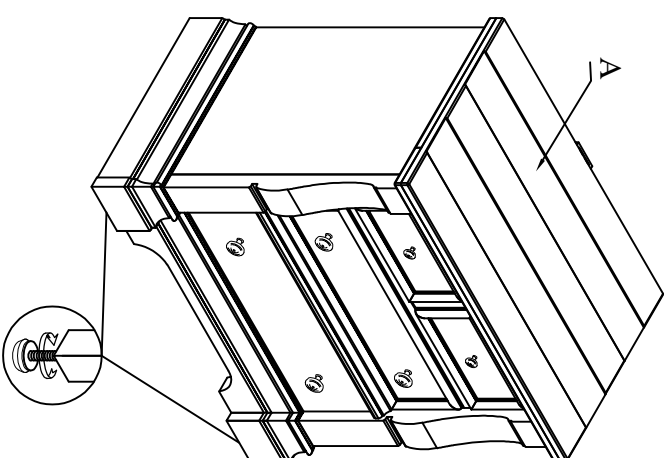
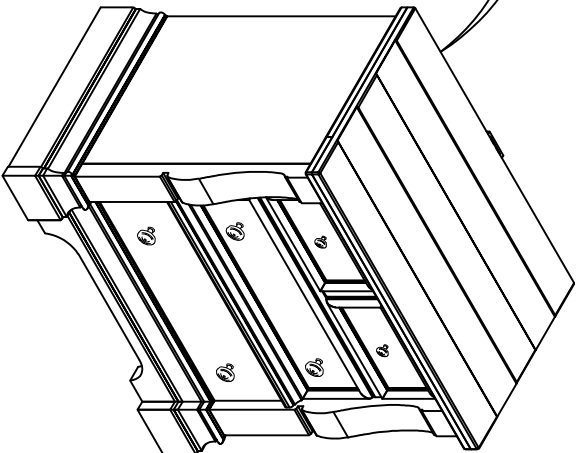
*

*Replaceable Part

⚠ WARNING	
	<p>Children have died from furniture tipover. To reduce the risk of furniture tipover:</p> <ul style="list-style-type: none"> - ALWAYS install anti-tip device provided. - NEVER put a TV on this product. - NEVER allow children to stand, climb, or hang on any drawers, doors, or shelves. - NEVER open more than one drawer at a time. - Place heaviest items in the lowest drawers. <p><i>This is a permanent label. Do not remove!</i></p>
	



Furniture Tipping Restraint
 Système antibasculement
 Control para evitar vuelcos



Adjustable leveler
 Patin réglable
 Nivelador ajustable

** Replaceable Part*

▲ **WARNING**



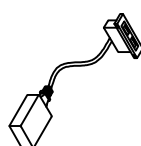

Children have died from furniture tipover. To reduce the risk of furniture tipover:

- ALWAYS install anti-tip device provided.
- NEVER put a TV on this product.
- NEVER allow children to stand, climb, or hang on any drawers, doors, or shelves.
- NEVER open more than one drawer at a time.
- Place heaviest items in the lowest drawers.

This is a permanent label. Do not remove!



x4 RS958-010-KNOBB-Big Knob with Screw
 Poignée + Vis
 Tirador + Tornillo



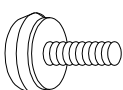
x1 RS958-050-USB- USB port
 Port USB
 Puerto USB



x3 COMGLIDE-10-45 - Drawer Glide
 Glissière de tiroir
 Deslizamiento del cajón



x2 RS958-010-KNOBS-Small Knob with Screw
 Poignée + Vis
 Tirador + Tornillo



x2 RC-FG-BROWN-Brown leveler
 Niveladora marrón
 Niveleur marron



x1 RC-ANTI-TIP-Furniture Tipping Restraint
 Système antibasculement
 Control para evitar vuelcos



x2 RC-BR-NAIL- Brown Plastic nail
 clou en plastique
 clavo de plástico



Protect Your Wood or Laminate Flooring

*This statement applies to any floor without carpet.

If not careful, all furniture including upholstery and case pieces can scratch, scuff and even gouge floors. The recommendation is to have felt, rubber pads or area rugs under furniture on flooring without carpet.

Moving your furniture

Pushing and dragging furniture over floors without carpet can lead to scratches and scuffs. Have someone help when moving the larger pieces of furniture by lifting, try using a dolly or moving pads.

Felt and rubber pads

Applying furniture pads to the feet of furniture helps cushion contact points. Furniture pads can be found at local hardware stores. Felt pads slide easily across the floor, making them ideal for dining chairs and other pieces that move with use. Rubber pads will help furniture stay in place and are perfect for larger pieces, like sofas and loveseats.

Area rugs and rug pads

Using an area rug under furniture is another way to protect your floor from scratches and scuff marks. A rug pad under the area rug will provide extra cushion and added protection.