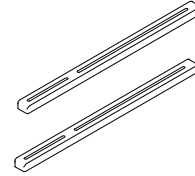


(A)

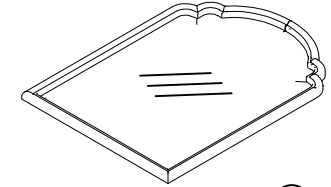
x1 Desk vanity
x1 Vanité de bureau
x1 Tocador de escritorio



(B)

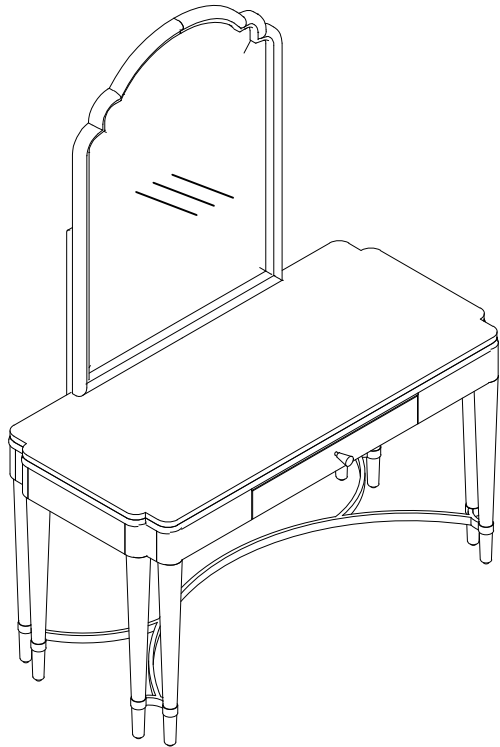
x2 Mirror Support
x2 Supporte de miroir
x2 Soporte del espejo

*



(C)

x1 Mirror
x1 Miroir
x1 Espejo



(1)

x1 Allen Key 4mm
x1 Clé hexagonale 4mm
x1 Llave Allen 4mm

*



(2)

x8 Lock washer Ø1/4"
x8 Rondelle de blocage Ø1/4"
x8 Arandela de Seguridad Ø1/4"

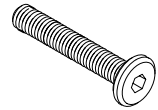
*



(3)

x8 Flat Washer Ø1/4"
x8 Rondelle plate Ø1/4"
x8 Arandela plana Ø1/4"

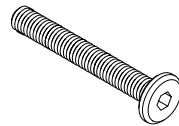
*



(4)

x4 Allen bolt Ø1/4xL38mm(Ø15)
x4 Vis à tête creuse hexagonale Ø1/4"x38mm
x4 Perno Allen Ø1/4"x38mm

*



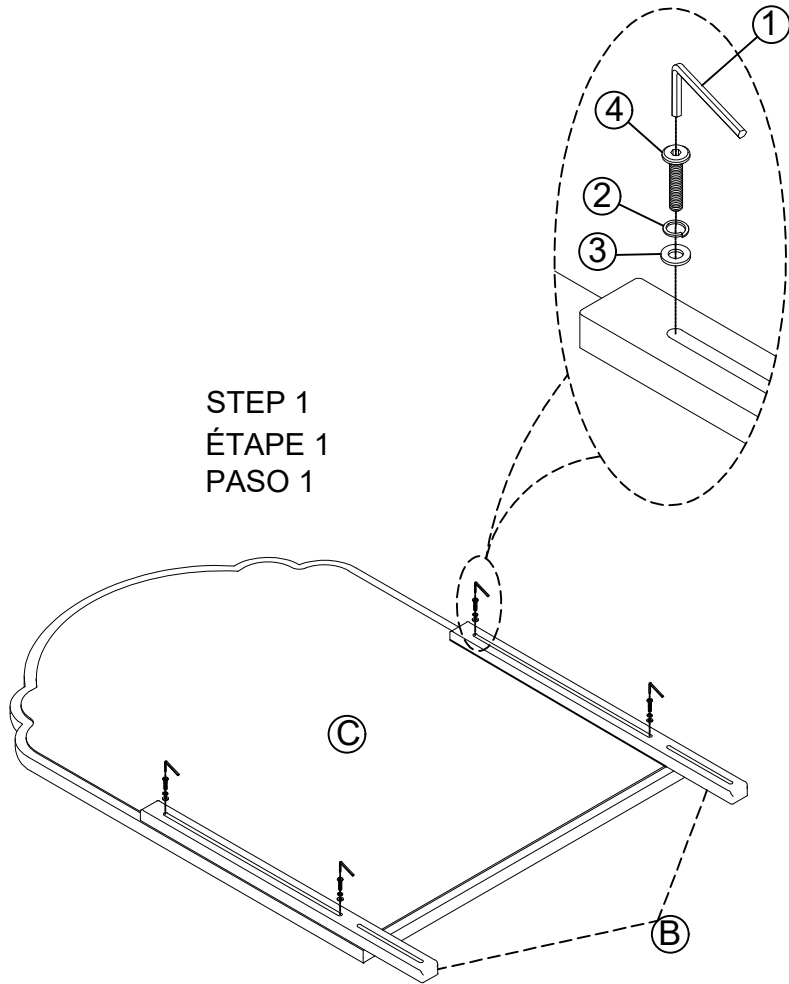
(5)

x4 Allen bolt Ø1/4xL57mm(Ø13)
x4 Vis à tête creuse hexagonale Ø1/4xL57mm
x4 Perno Allen Ø1/4xL57mm

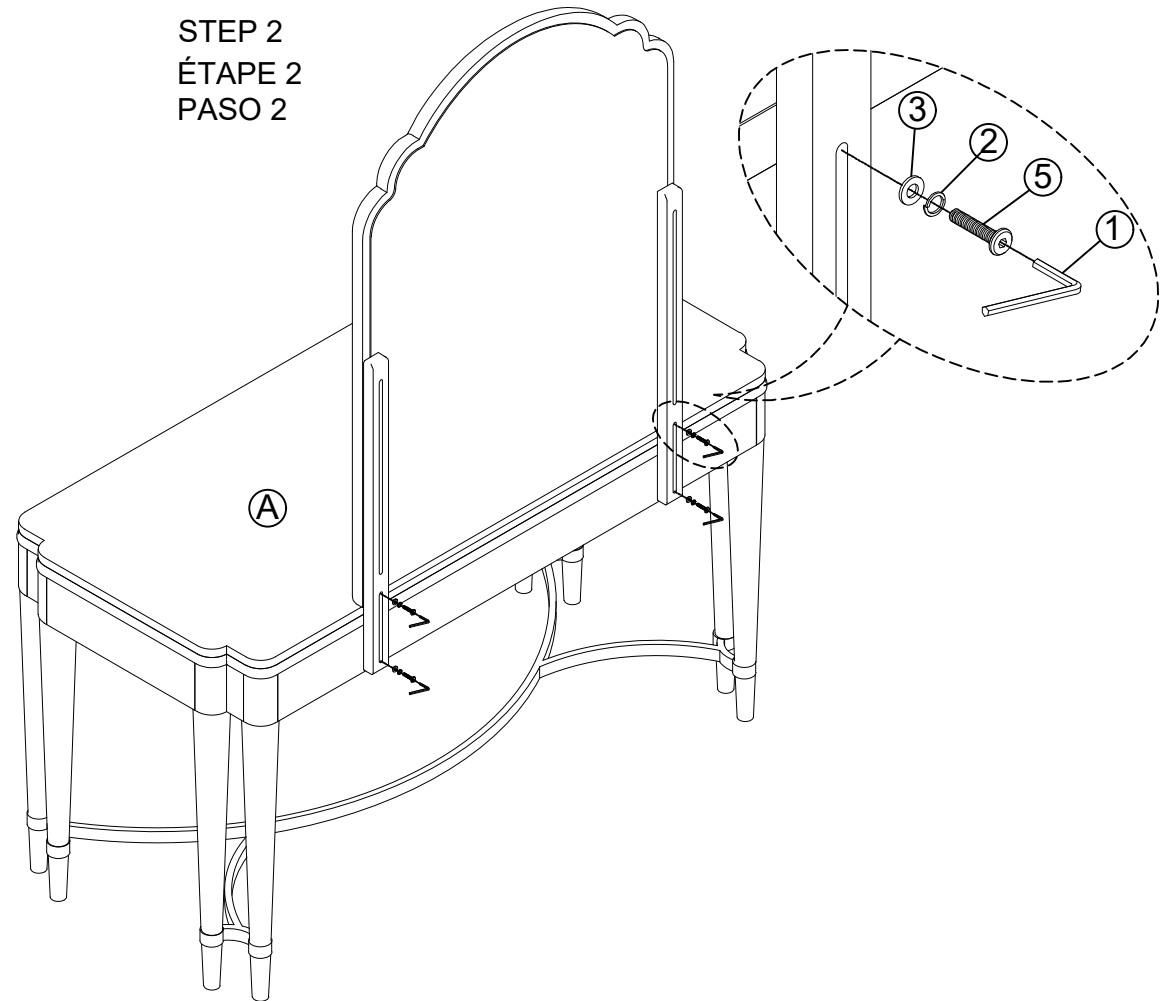
*

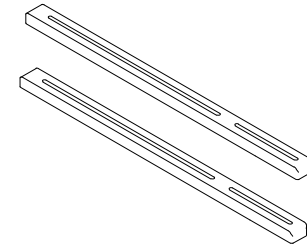
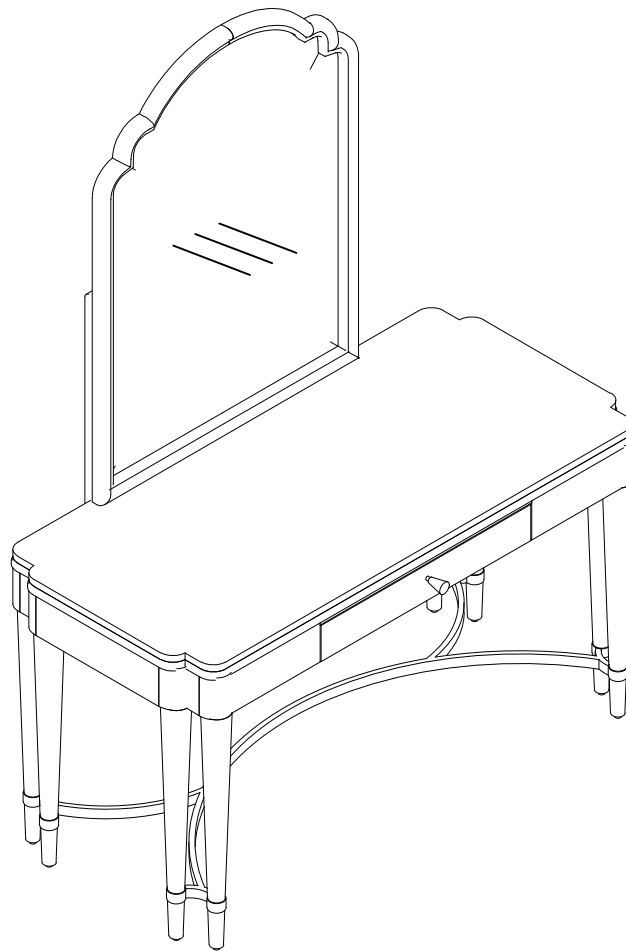
* Replaceable Part

STEP 1
ÉTAPE 1
PASO 1



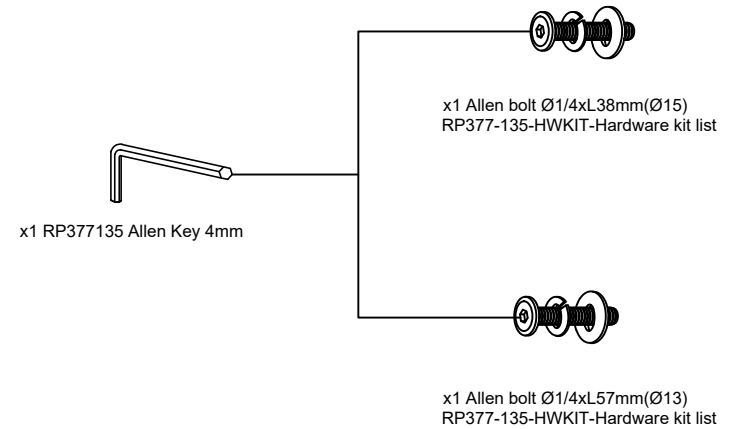
STEP 2
ÉTAPE 2
PASO 2





x2 RP377-110-MISU - Mirror Support
- Supporte de miroir
- Soporte del espejo

Combine 3 images to 1 one set x1 RP377135-HWKIT- Hardware kit list
- Liste des pièces de quincaillerie
- Lista del kit de materiales



x1 RP377135 Allen Key 4mm

x1 Allen bolt Ø1/4xL38mm(Ø15)
RP377-135-HWKIT-Hardware kit list

x1 Allen bolt Ø1/4xL57mm(Ø13)
RP377-135-HWKIT-Hardware kit list

Protect Your Wood or Laminate Flooring

*This statement applies to any floor without carpet.

If not careful, all furniture including upholstery and case pieces can scratch, scuff and even gouge floors. The recommendation is to have felt, rubber pads or area rugs under furniture on flooring without carpet.

Moving your furniture

Pushing and dragging furniture over floors without carpet can lead to scratches and scuffs. Have someone

help when moving the larger pieces of furniture by lifting, try using a dolly or moving pads.

Felt and rubber pads

Applying furniture pads to the feet of furniture helps cushion contact points. Furniture pads can be found at local hardware stores. Felt pads slide easily across the floor, making them ideal for dining chairs and other pieces that move with use. Rubber pads will help furniture stay in place and are perfect for larger pieces, like sofas and loveseats.

Area rugs and rug pads

Using an area rug under furniture is another way to protect your floor from scratches and scuff marks. A rug pad under the area rug will provide extra cushion and added protection.