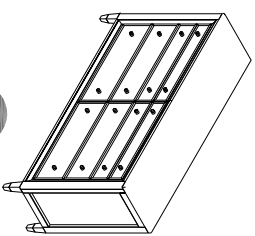
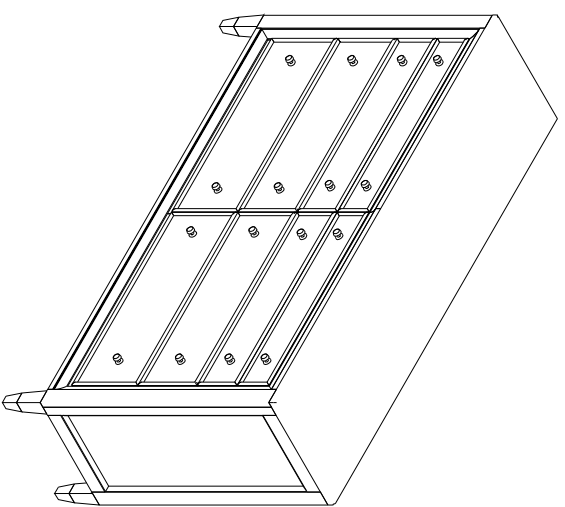


<b>⚠ WARNING</b>	
	
<p>Children have died from furniture tipover. To reduce the risk of furniture tipover:</p> <ul style="list-style-type: none"> <li>• <b>NEVER</b> put a TV on this product.</li> <li>• <b>NEVER</b> allow children to stand, climb or hang on drawers, doors, or shelves.</li> <li>• <b>NEVER</b> open more than one drawer at a time.</li> <li>• Place heaviest items in the lowest drawers.</li> </ul> <p>This is a permanent label. Do not remove!</p>	



- x1 Dresser
- x1 Commode
- x1 Tocador



**B**

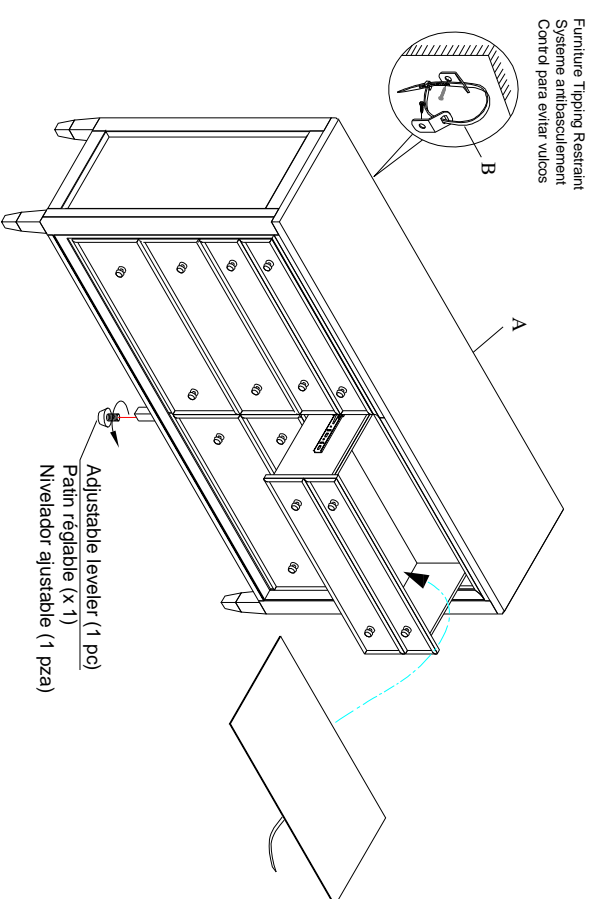
- x1 Furniture Tipping Restraint
- x1 Systeme antibasculement
- x1 Control para evitar vultcos

\*

\* Replaceable Part

<b>⚠ WARNING</b>	
	<p>Children have died from furniture tipover. To reduce the risk of furniture tipover:</p> <ul style="list-style-type: none"> <li>• <b>NEVER</b> put a TV on this product.</li> <li>• <b>NEVER</b> allow children to stand, climb or hang on drawers, doors, or shelves.</li> <li>• <b>NEVER</b> open more than one drawer at a time.</li> <li>• Place heaviest items in the lowest drawers.</li> </ul> <p>This is a permanent label. Do not remove!</p>
	

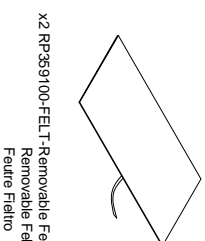
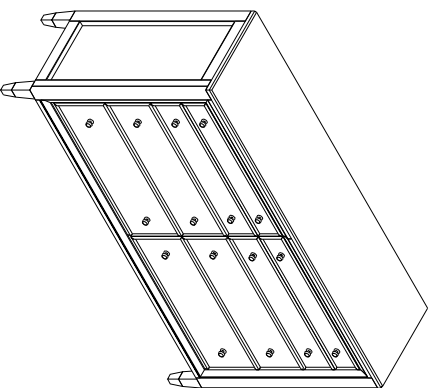
**STEP 1**  
**ÉTAPE 1**  
**PASO 1**



\* Replaceable Part

**REPLACEABLE PART / PARTIE REMPLAÇABLE / PARTE REEMPLAZABLE**  
 ITEM NO. / NO D'ARTICLE / ARTICULO NO. : **P359100**  
 DESCRIPTION / LA DESCRIPTION / DESCRIPCIÓN: DRESSER / COMMODOE / TOCADOR

<b>WARNING</b>	
	<p>Children have died from furniture tipover. To reduce the risk of furniture tipover:</p> <ul style="list-style-type: none"> <li><b>NEVER</b> put a TV on this product.</li> <li><b>NEVER</b> allow children to stand, climb or hang on drawers, doors, or shelves.</li> <li><b>NEVER</b> open more than one drawer at a time.</li> </ul> <p>Place heaviest items in the lowest drawers.          This is a permanent label.          Do not remove!</p>
	



x2 RP359100-FELT-Removable Felt  
 Removable Felt  
 Feutre Feltro



x1 RC-ANTI-TIP- Anti-tipping Restraint  
 Systeme antibasculement  
 Control para evitar vlticos



x6 COMGLIDE-10-45 - Glide 10inch 45mm  
 Tiroir Glide  
 Deslizamiento del cajon



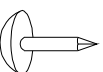
x1 RC-FG-WHITE-White Leveler  
 Patin réglable  
 Nivelador



x8R P359100-KNOBB - Knob with Screw (Big)  
 Poignée + vis  
 Tirador + Tornillo



x8 RP359100-KNOBS - Knob with Screw (Small)  
 Poignée + vis  
 Tirador + Tornillo



x4 RC-WH-NAIL - White Plastic Nail  
 Clou en plastique  
 Clavo de plástico

\* Replaceable Part

## **Protect Your Wood or Laminate Flooring**

\* This statement applies to any floor without carpet.

If not careful, all furniture including upholstery and case pieces can scratch, scuff and even gouge floors. The recommendation is to have felt, rubber pads or area rugs under furniture on flooring without carpet.

### **Moving your furniture**

Pushing and dragging furniture over floor without carpet can lead to scratches and scuffs. Have someone help when moving the larger pieces of furniture by lifting, try using a dolly or moving pads.

### **Felt and rubber pads**

Applying furniture pads to the feet of furniture helps cushion contact points. Furniture pads can be found at local hardware stores. Felt pads slide easily across the floor, making them ideal for dining chairs and other pieces that move with use. Rubber pads will help furniture stay in place and are perfect for larger pieces, like sofas and loveseats.

### **Area rugs and rug pads**

Using an are rug under furniture is another way to protect your floor from scratches and scuff marks. A rug pad under the area rug will provide extra cushion and added protection.

\* *Reproachable Part*