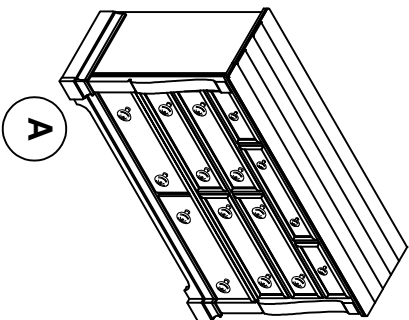
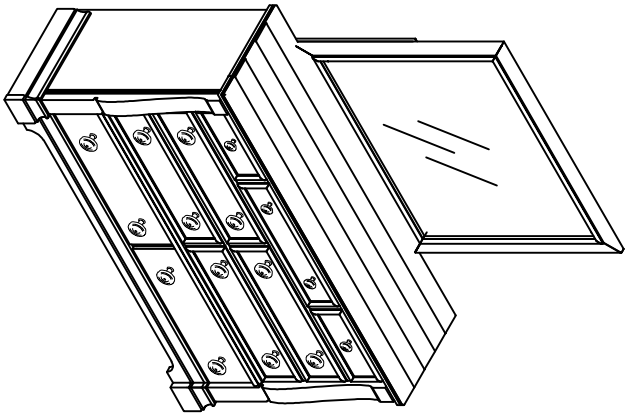


## PARTS LIST / LISTE DES PIÈCES / LISTA DE PIEZA

ITEM / NO D'ARTICLE / ARTICULO.: S958-010/030

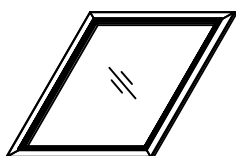
Description/ La Description / Descripción: Dresser / Comode / Tocadoir

Beveled Mirror / Miroir / Espejo



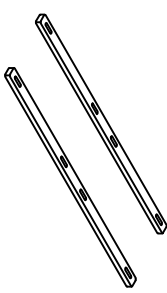
**A**

- x1 Dresser
- x1 Commode
- x1 Tocadoir



**B**

- x1 Mirror
- x1 Miroir
- x1 Espejo



**C**

- x2 Mirror Support \*
- x2 Prise en charge du miroir
- x2 Soporte de espejo



**D**

- x1 Furniture Tipping Restraint \*
- x1 Systeme antibasculement
- x1 Control para evitar vuelcos



**1**

- x8 Allen bolt Ø1/4"×30mm \*
- x8 Vis à tête creuse hexagonale Ø1/4"×30mm
- x8 Perno Allen Ø1/4"×30mm



**2**

- x8 Lock washer Ø1/4"×13×1.5mm \*
- x8 Rondelle de blocage Ø1/4"×13×1.5mm
- x8 Arandela de Seguridad Ø1/4"×13×1.5mm

**3**

- x8 Flat Washer Ø1/4"×19×1.5mm \*
- x8 Rondelle Plate Ø1/4"×19×1.5mm
- x8 Arandela Plana Ø1/4"×19×1.5mm

**4**

- x1 Allen key M4 \*
- x1 Cle hexagonale
- x1 Llave Allen

\* Replaceable Part

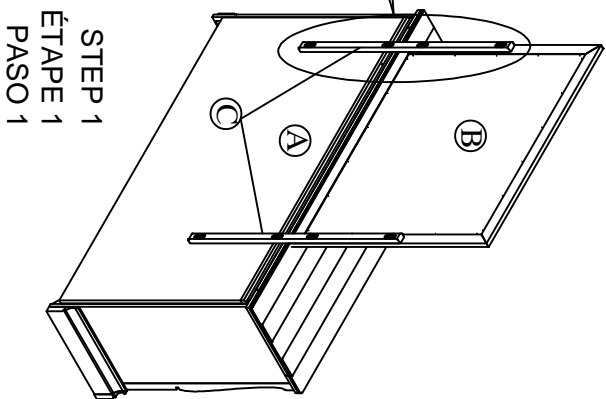
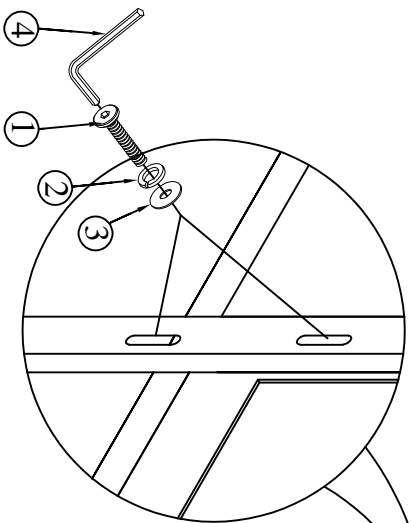
## ASSEMBLY INSTRUCTION / NOTICE DE MONTAGE / INSTRUCCIONES DE MONTAJE

ITEM / NO D'ARTICLE / ARTICULO.: S958-010/030

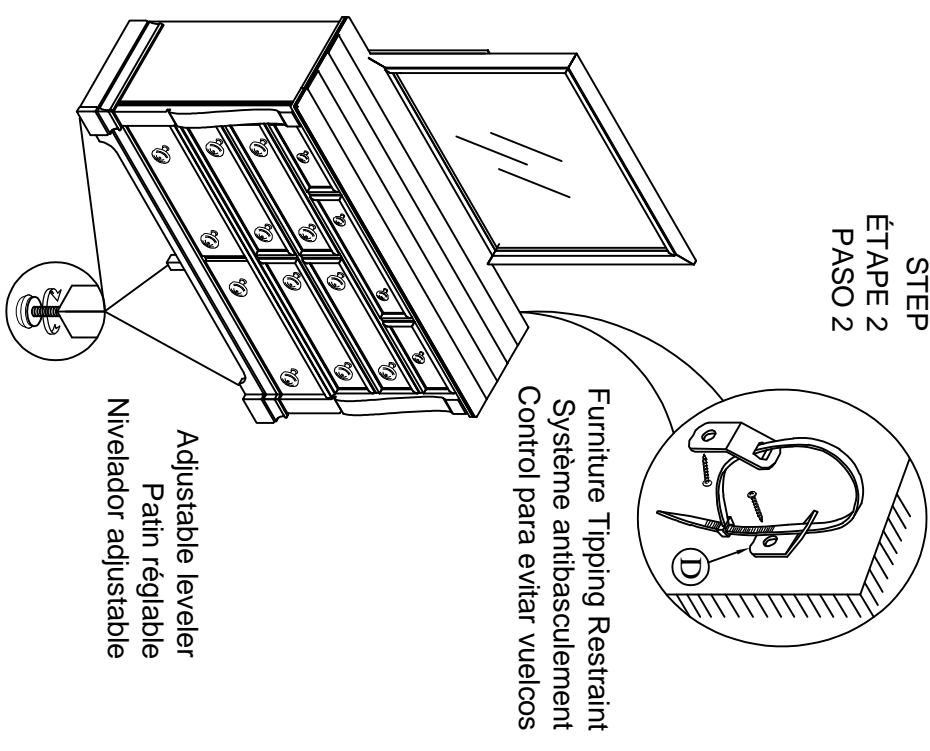
Description/ La Description / Descripción: Dresser / Comode / Tocador

Beveled Mirror / Miroir / Espejo

	
<p><b>⚠ WARNING</b></p>	
<p>Children have died from furniture tipover. To reduce the risk of furniture tipover:</p> <ul style="list-style-type: none"> <li>- ALWAYS install anti-tip device provided.</li> <li>- NEVER put a TV on this product.</li> <li>- NEVER allow children to stand, climb, or hang on any drawers, doors, or shelves.</li> <li>- NEVER open more than one drawer at a time.</li> <li>- Place heaviest items in the lowest drawers.</li> </ul> <p><i>This is a permanent label. Do not remove!</i></p>	



STEP 1  
ÉTAPE 1  
PASO 1



STEP 2  
ÉTAPE 2  
PASO 2

Furniture Tipping Restraint  
Système antibasculement  
Control para evitar vuelcos

Adjustable leveler  
Patin réglable  
Nivelador ajustable

\*Replaceable Part

## REPLACEABLE PART / PARTIE REMPLACABLE / PARTE REEMPLAZABLE

ITEM / NO D'ARTICLE / ARTICULO.: S958-010/030

Description/ La Description / Descripción: Dresser / Comode / Tocador

Beveled Mirror / Miroir / Espejo

▲ **WARNING**

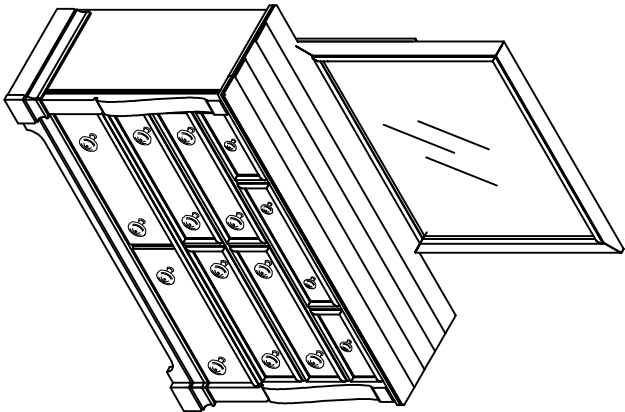




Children have died from furniture tipover. To reduce the risk of furniture tipover:

- ALWAYS install anti-tip device provided.
- NEVER put a TV on this product.
- NEVER allow children to stand, climb, or hang on any drawers, doors, or shelves.
- NEVER open more than one drawer at a time.
- Place heaviest items in the lowest drawers.

*This is a permanent label.  
Do not remove!*



x12 RS958-010-KNOBS-Big Knob with Screw  
Poignée + Vis  
Tirador + Tornillo

x2 RS958-030-MISU - Mirror Support  
Supporte de miroir  
Soporte del espejo



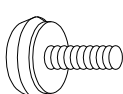
x1 RS958-030-HWKIT -Hardware kit list  
Liste des pièces de quincailleries  
Lista del kit de materiales



x4 RS958-010-KNOBS-Small Knob with Screw  
Poignée + Vis  
Tirador + Tornillo



x9 COMGLIDE-10-45-Drawer Glide  
Glissière de tiroir  
Deslizamiento del cajón



x3 RC-FG-BROWN-Brown leveler  
Niveladora marrón  
Niveleur marron



x2 RC-BR-NAIL- Brown Plastic nail  
clou en plastique  
clavo de plástico



x1 RC-ANTI-TIP-Furniture Tipping Restraint  
Système antibasculement  
Control para evitar vuelcos

\*Replaceable Part

## **Protect Your Wood or Laminate Flooring**

\*This statement applies to any floor without carpet.

If not careful, all furniture including upholstery and case pieces can scratch, scuff and even gouge floors. The recommendation is to have felt, rubber pads or area rugs under furniture on flooring without carpet.

### **Moving your furniture**

Pushing and dragging furniture over floors without carpet can lead to scratches and scuffs. Have someone help when moving the larger pieces of furniture by lifting, try using a dolly or moving pads.

### **Felt and rubber pads**

Applying furniture pads to the feet of furniture helps cushion contact points. Furniture pads can be found at local hardware stores. Felt pads slide easily across the floor, making them ideal for dining chairs and other pieces that move with use. Rubber pads will help furniture stay in place and are perfect for larger pieces, like sofas and loveseats.

### **Area rugs and rug pads**

Using an area rug under furniture is another way to protect your floor from scratches and scuff marks. A rug pad under the area rug will provide extra cushion and added protection.