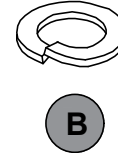
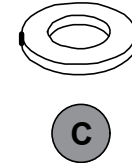


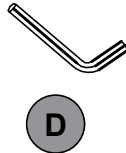
x4 JCBC Bolt M6 x 25MM *
x4 Boulon JCBC M6 x 25MM
x4 JCBC Perno M6 x 25MM



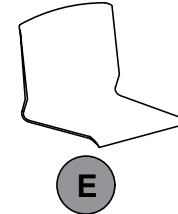
x4 Spring Washer M6 *
x4 Rondelle à ressort M6
x4 Arandela auto-bloqueante M6



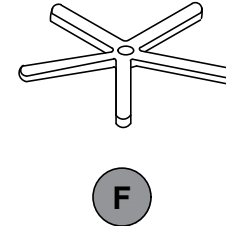
x4 Flat Washer M6 *
x4 Rondelle Plate M6
x4 Arandela Plana M6



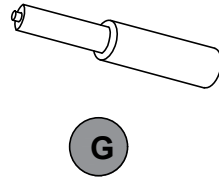
x1 Allen Key 4 x 65MM *
x1 Clé hexagonale 4 x 65MM
x1 Llave Allen 4 x 65MM



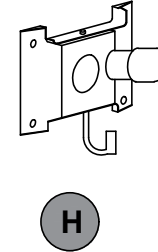
x1 Chair Seat *
x1 Siège de la chaise
x1 Asiento de silla



x1 Base *
x1 Le Pied
x1 La Base



x1 Hydraulic Stem *
x1 Tige Hydraulique
x1 Vástago hidráulico

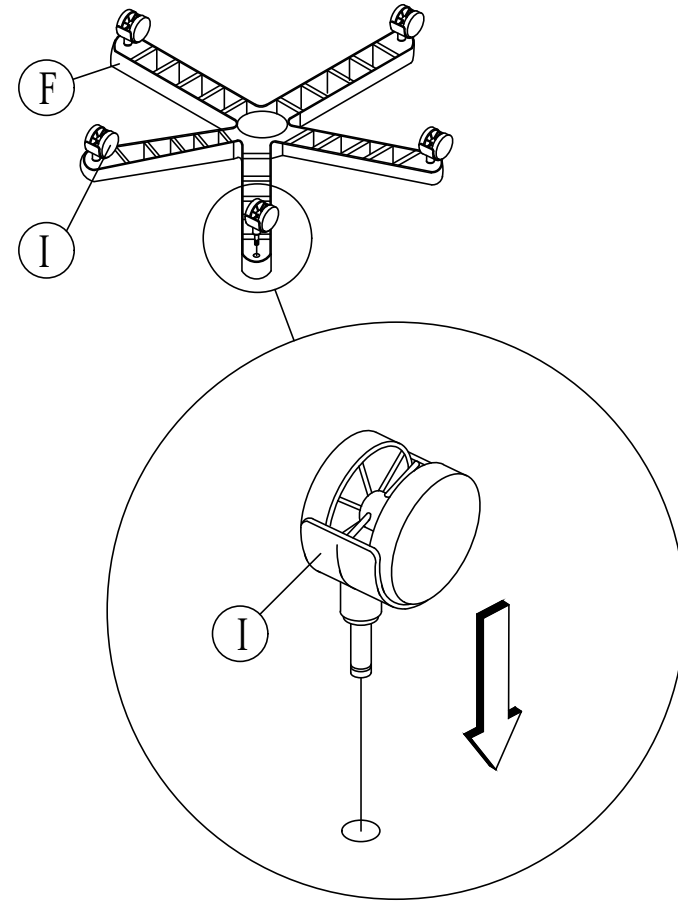
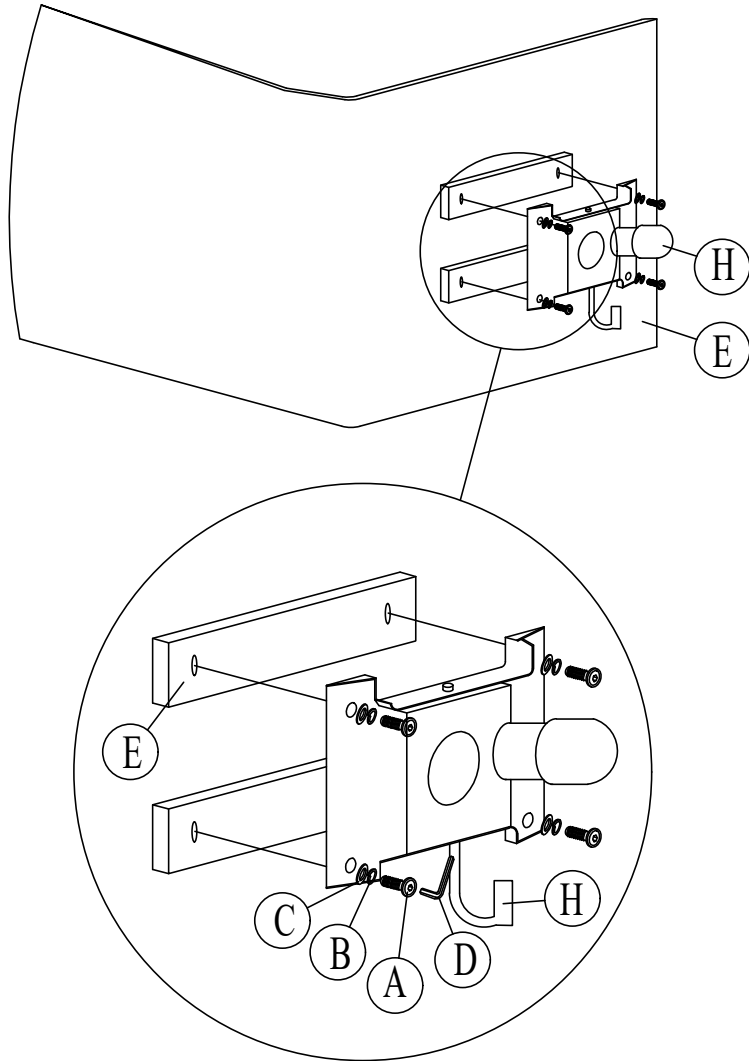


x1 Control Plate *
x1 Plaque de Contrôle
x1 Placa de Control

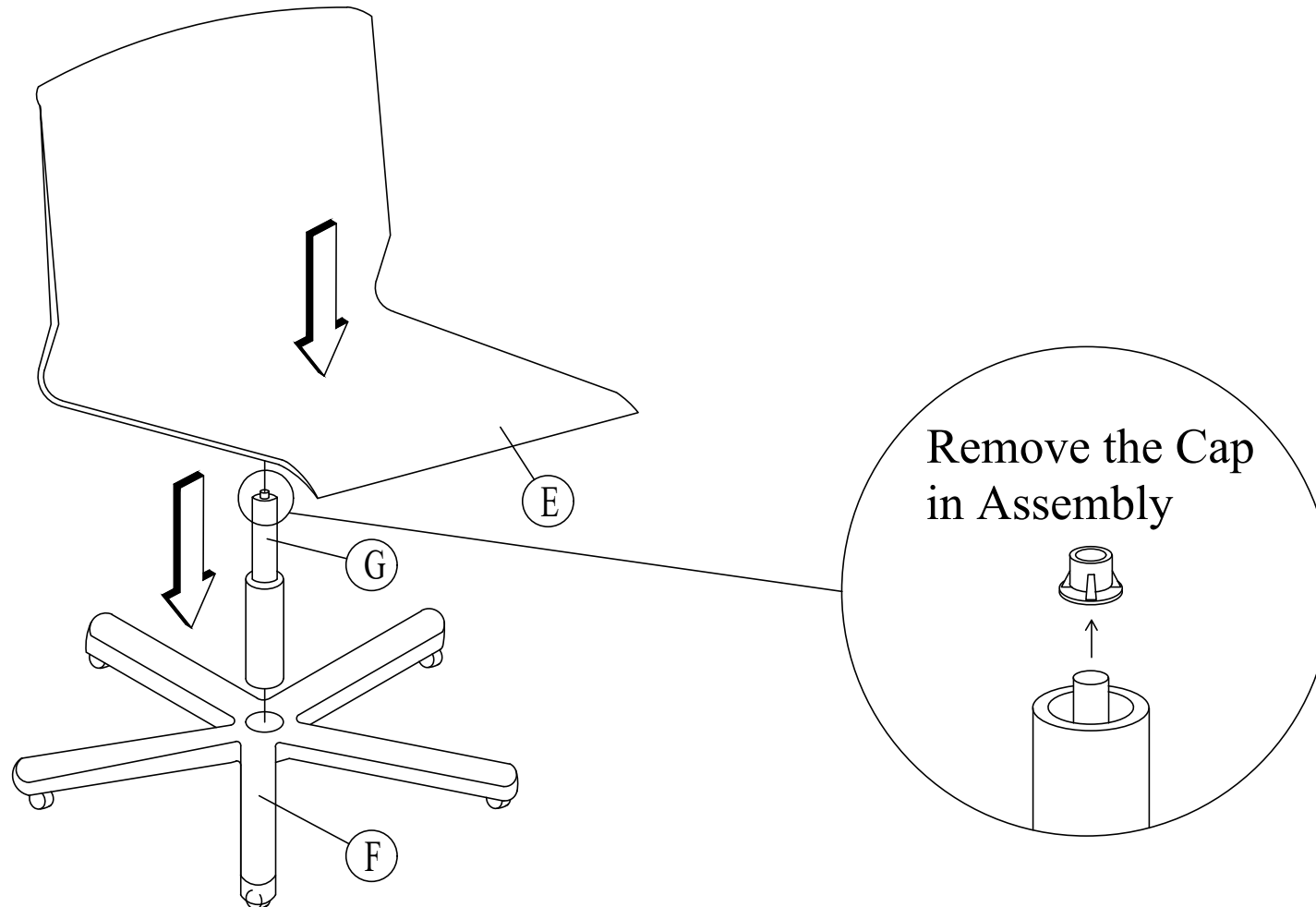


x5 Castor *
x5 Le Castor
x5 El Castor

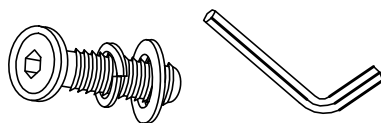
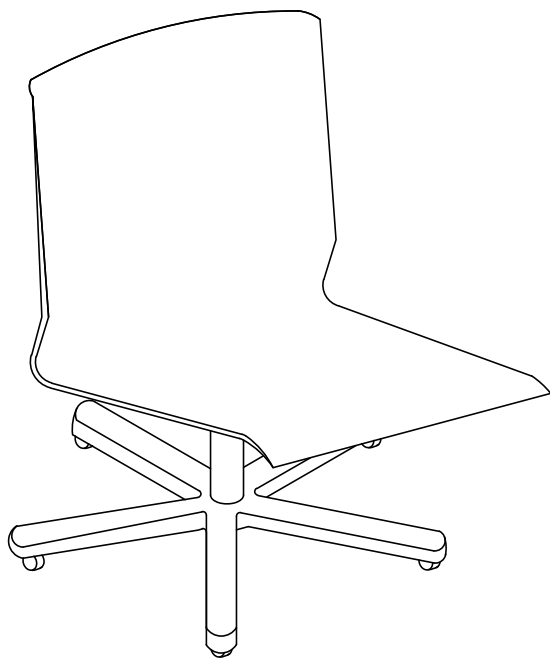
**Replaceable Part*



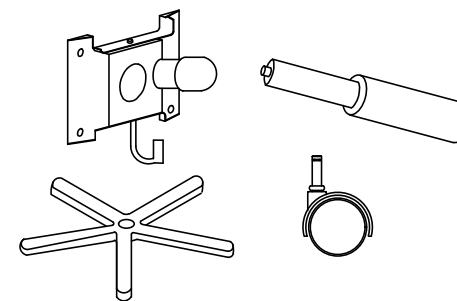
**Replaceable Part*



**Replaceable Part*



x1 RS496-452-HWKIT *
Hardware Kit
Liste des pièces de quincaillerie
Lista del kit de materiales



x1 RS496-452-BASE *
Base Mechanism
Mécanisme de base
Mecanismo Base

**Replaceable Part*

Protect Your Wood or Laminate Flooring

*This statement applies to any floor without carpet.

If not careful, all furniture including upholstery and case pieces can scratch, scuff and even gouge floors. The recommendation is to have felt, rubber pads or area rugs under furniture on flooring without carpet.

Moving your furniture

Pushing and dragging furniture over floors without carpet can lead to scratches and scuffs. Have someone help when moving the larger pieces of furniture by lifting, try using a dolly or moving pads.

Felt and rubber pads

Applying furniture pads to the feet of furniture helps cushion contact points. Furniture pads can be found at local hardware stores. Felt pads slide easily across the floor, making them ideal for dining chairs and other pieces that move with use. Rubber pads will help furniture stay in place and are perfect for larger pieces, like sofas and loveseats.

Area rugs and rug pads

Using an area rug under furniture is another way to protect your floor from scratches and scuff marks. A rug pad under the area rug will provide extra cushion and added protection.