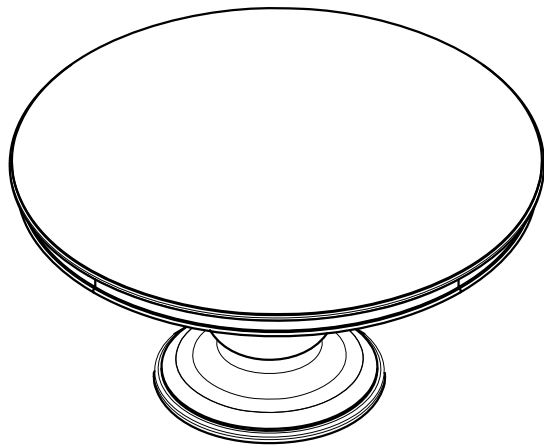


DESCRIPTION/LA DESCRIPCION/DESCRIPCIÓN :Round Dining Table Base-Base de table ronde-Basa de mesa redonda

Round Dining Table Top-Dessus de table ronde-Tablero de mesa redonda



(A)

x4 Bolt 5/16*40mm
x4 Boulon
x4 Perno



(B)

x4 Lock washer 5/16
x4 Rondelle de blocage
x4 Arandela de seguridad



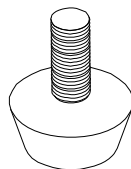
(C)

x4 Flat Washer 5/16*22mm
x4 Rondelle plate
x4 Arandela plana



(D)

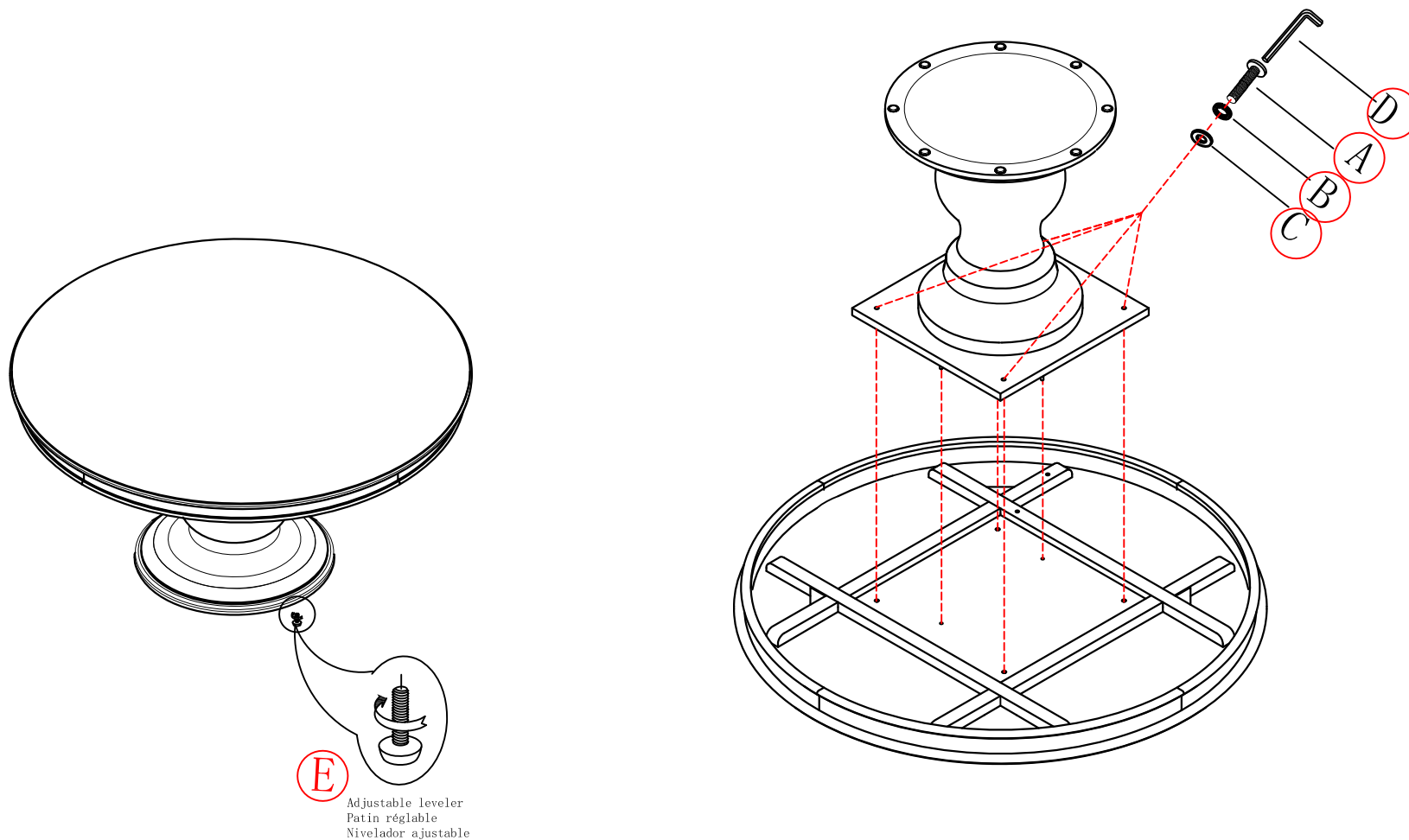
x1 Allen Wrench
x1 Clé hexagonale
x1 Llave Allen



(E)

x8 Adjustable leveler-White
x8 Patin réglable
x8 Nivelador ajustable

* Replaceable Part

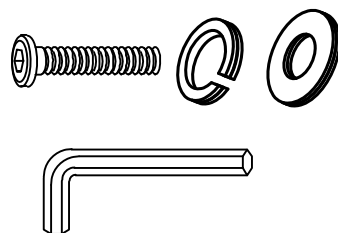
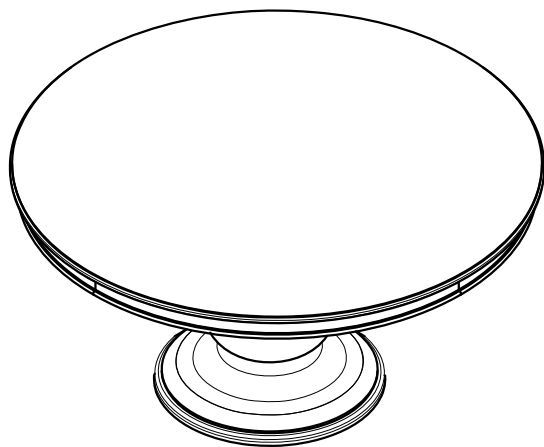


* Replaceable Part

REPLACEABLE PART/ PARTIE REMPLACABLE/ PARTE REEMPLAZABLE

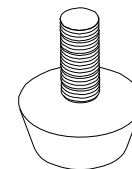
ITEM NO. / ARTICLE NO. / ARTICULO NO : P349230/P349231

DESCRIPTION/LA DESCRIPCION/DESCRIPCIÓN :Round Dining Table Base-Base de table ronde-Basa de mesa redonda
Round Dining Table Top-Dessus de table ronde-Tablero de mesa redonda



RP349230-HWKIT *

x1 Hardware Kit
x1 Liste des pièces de quincaillerie
x1 Lista del materiales



RC-FG-WHITE *

x8 Adjustable leveler-White
x8 Patin réglable
x8 Nivelador ajustable

* Replaceable Part

Protect Your Wood or Laminate Flooring

*This statement applies to any floor without carpet.

If not careful, all furniture including upholstery and case pieces can scratch, scuff and even gouge floors. The recommendation is to have felt, rubber pads or area rugs under furniture on flooring without carpet.

Moving your furniture

Pushing and dragging furniture over floors without carpet can lead to scratches and scuffs. Have someone help when moving the larger pieces of furniture by lifting, try using a dolly or moving pads.

Felt and rubber pads

Applying furniture pads to the feet of furniture helps cushion contact points. Furniture pads can be found at local hardware stores. Felt pads slide easily across the floor, making them ideal for dining chairs and other pieces that move with use. Rubber pads will help furniture stay in place and are perfect for larger pieces, like sofas and loveseats.

Area rugs and rug pads

Using an area rug under furniture is another way to protect your floor from scratches and scuff marks. A rug pad under the area rug will provide extra cushion and added protection.