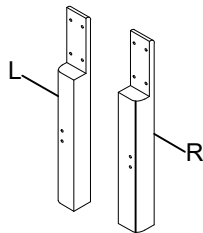


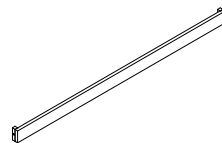
(A)

x1 Headboard panel  
x1 Tête de lit  
x1 Panel de la cabecera



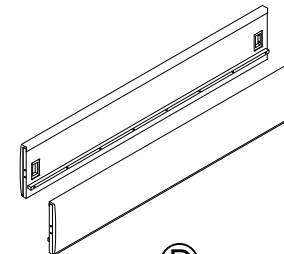
(B)

x1 Headboard Legs (Left & Right) \*  
x1 Pattes de la tête de lit (gauche et droite)  
x1 Patas de cabecera (izquierda y derecha)



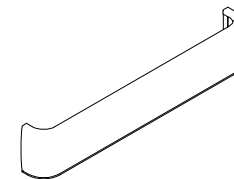
(C)

x1 Stretcher \*  
x1 Traverse  
x1 Travesaño



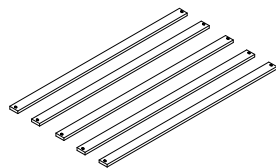
(D)

x2 Side rail  
x2 Côtés de lit  
x2 Riel lateral



(E)

x1 Footboard  
x1 Pied de lit  
x1 Pie de cama



(F)

x5 Slats \*  
x5 Bancs de lit  
x5 Listones



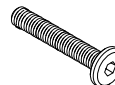
(G)

x2 Leg FB \*  
x2 Pattes de pied de lit  
x2 Patas del pie de cama



(H)

x10 Middle Leg \*  
x10 Patte centrale  
x10 Pata central



(1)

x10 Bolt Ø5/16"xL38mm \*  
x10 Vis à tête creuse hexagonale Ø5/16"xL38mm  
x10 Perno Allen Ø5/16"xL38mm



(2)

x8 Bolt Ø5/16"x3-1/4" \*  
x8 Vis à tête creuse hexagonale Ø5/16"x3-1/4"  
x8 Perno Allen Ø5/16"x3-1/4"



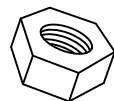
(3)

x18 Flat Washer Ø5/16" \*  
x18 Rondelle plate Ø5/16"  
x18 Arandela plana Ø5/16"



(4)

x18 Lock washer Ø5/16" \*  
x18 Rondelle de blocage Ø5/16"  
x18 Arandela de Seguridad Ø5/16"



(5)

x8 Hex nut Ø5/16" \*  
x8 Écrou hexagonal Ø5/16"  
x8 Tuerca hexagona Ø5/16"



(6)

x10 Wood Screw #8x25mm \*  
x10 Vis à bois #8x25mm  
x10 Tornillo para madera #8x25mm



(7)

x1 Allen Key 5mm \*  
x1 Clé hexagonale 5mm  
x1 Llave Allen 5mm



(8)

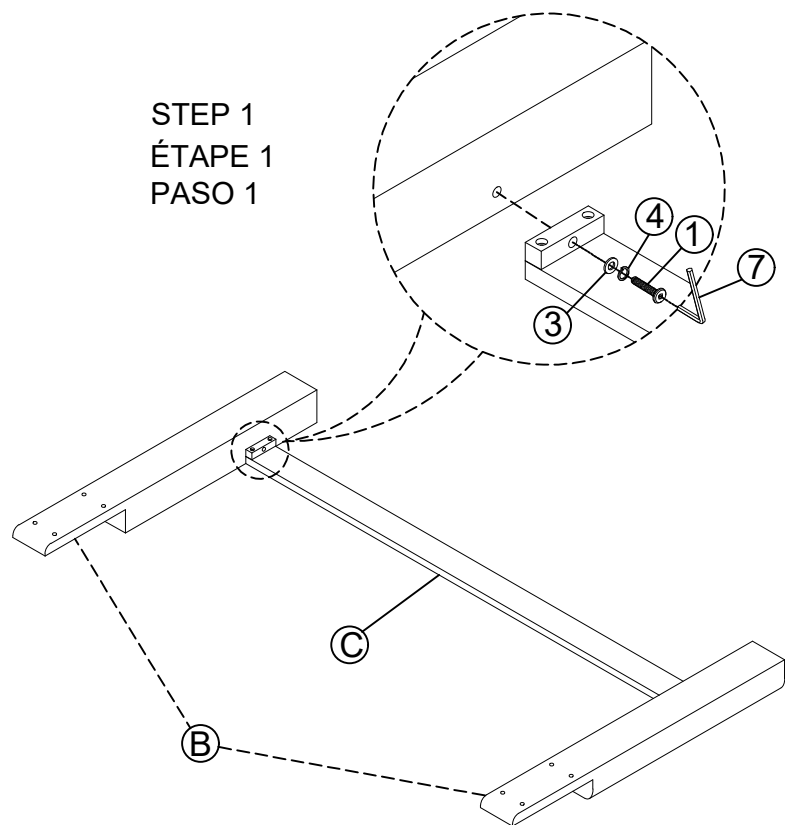
x1 Open Wrench Ø5/16" \*  
x1 Clé à fourche Ø5/16"  
x1 Llave de boca Ø5/16"

\* Replaceable Part

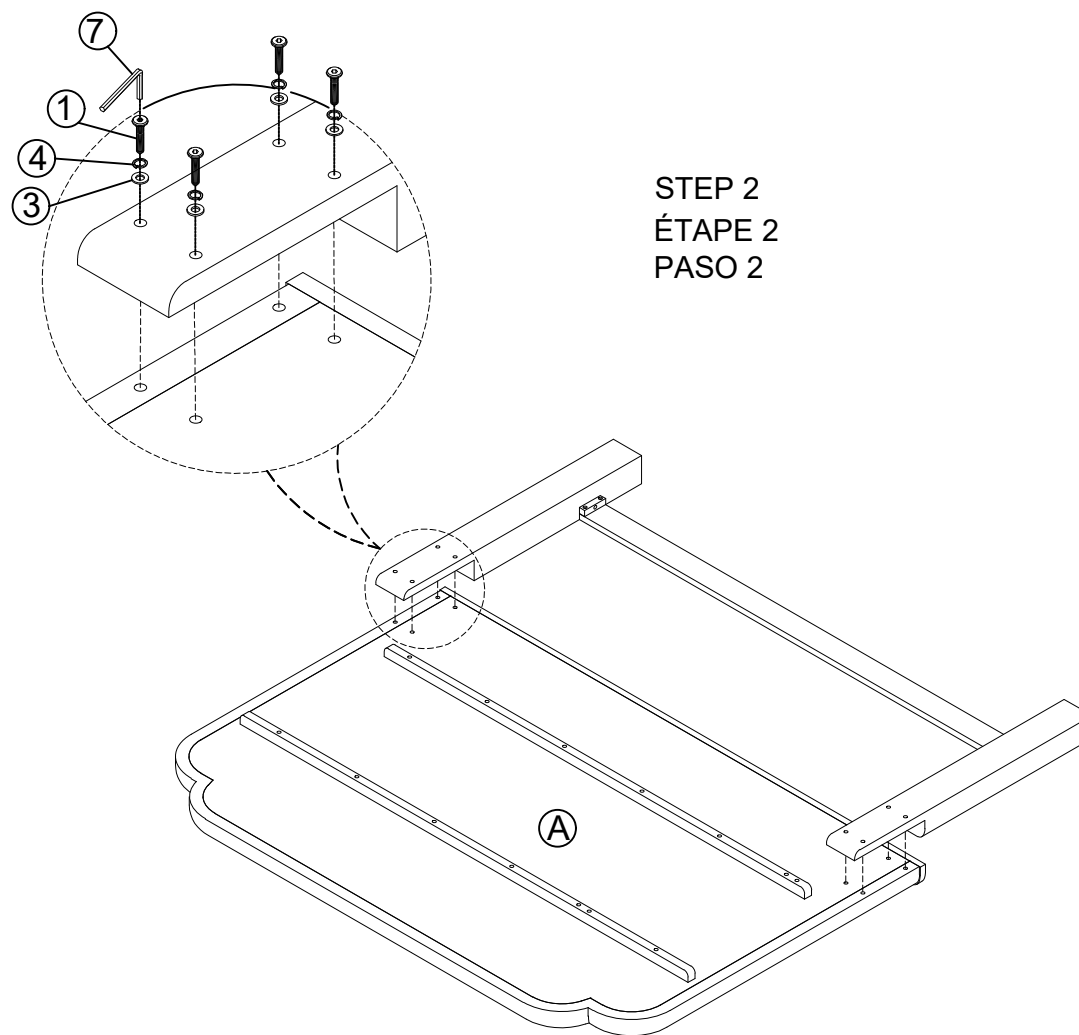
ITEM NO. / ARTICLE NO. / ARTICULO NO : P377170/171/172

Description / La Description / Descripción : 5/0 UPH Headboard/ 5/0 UPH Tête de lit/ 5/0 UPH Cabecera  
5/0 UPH Footboard & Slats/ 5/0 UPH Pied de lit et lattes/  
5/0 UPH Estribo y listones  
5/0 & 6/6 Set of Side Rails/ 5/0 & 6/6 Ensemble de rails latéraux/  
5/0 & 6/6 Juego de barandillas laterales

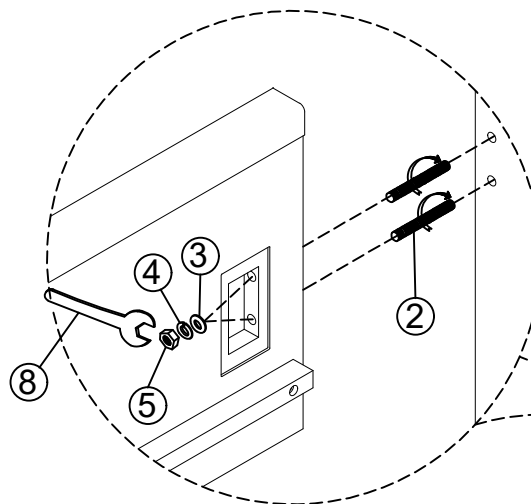
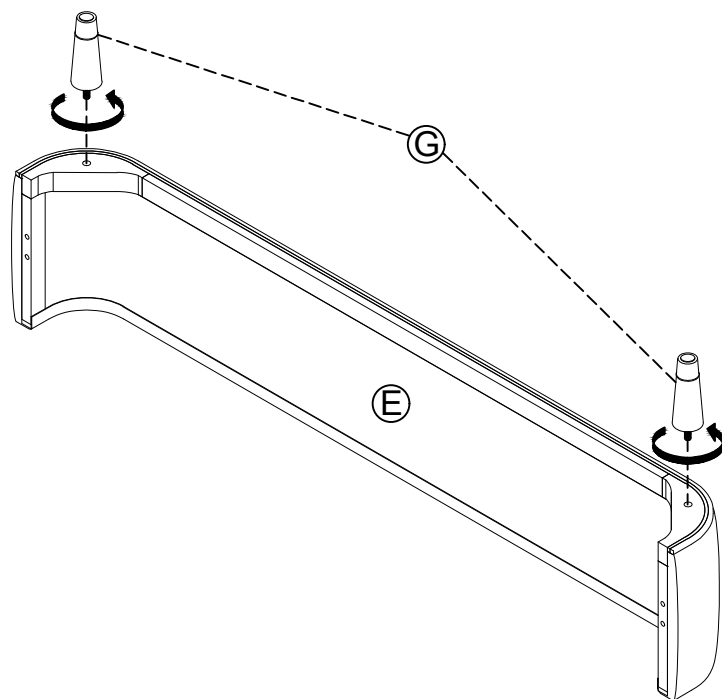
STEP 1  
ÉTAPE 1  
PASO 1



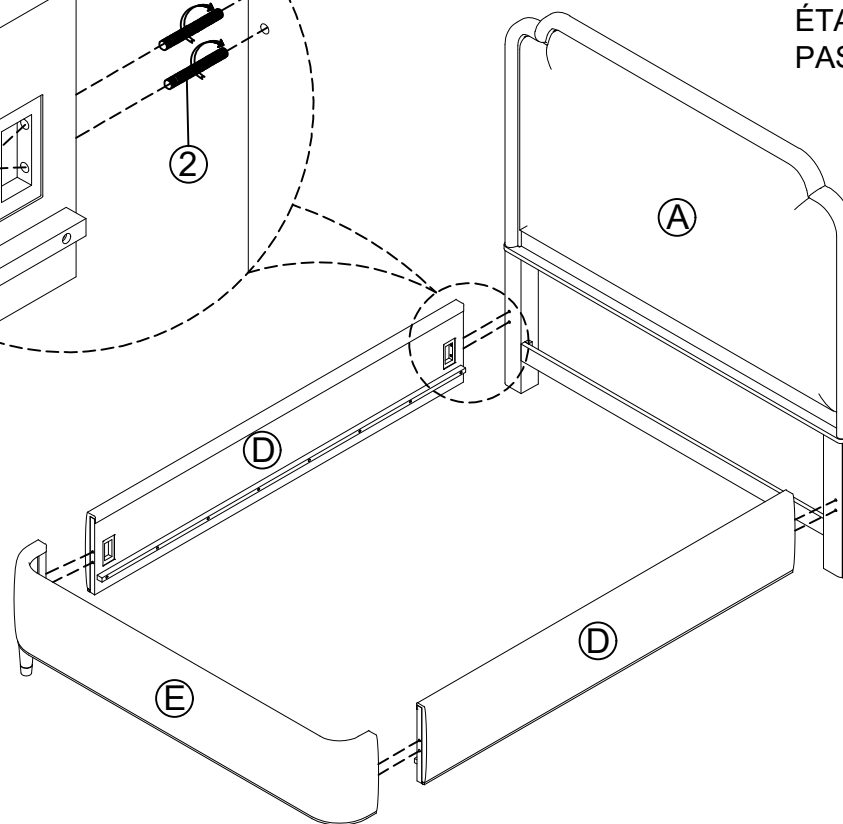
STEP 2  
ÉTAPE 2  
PASO 2



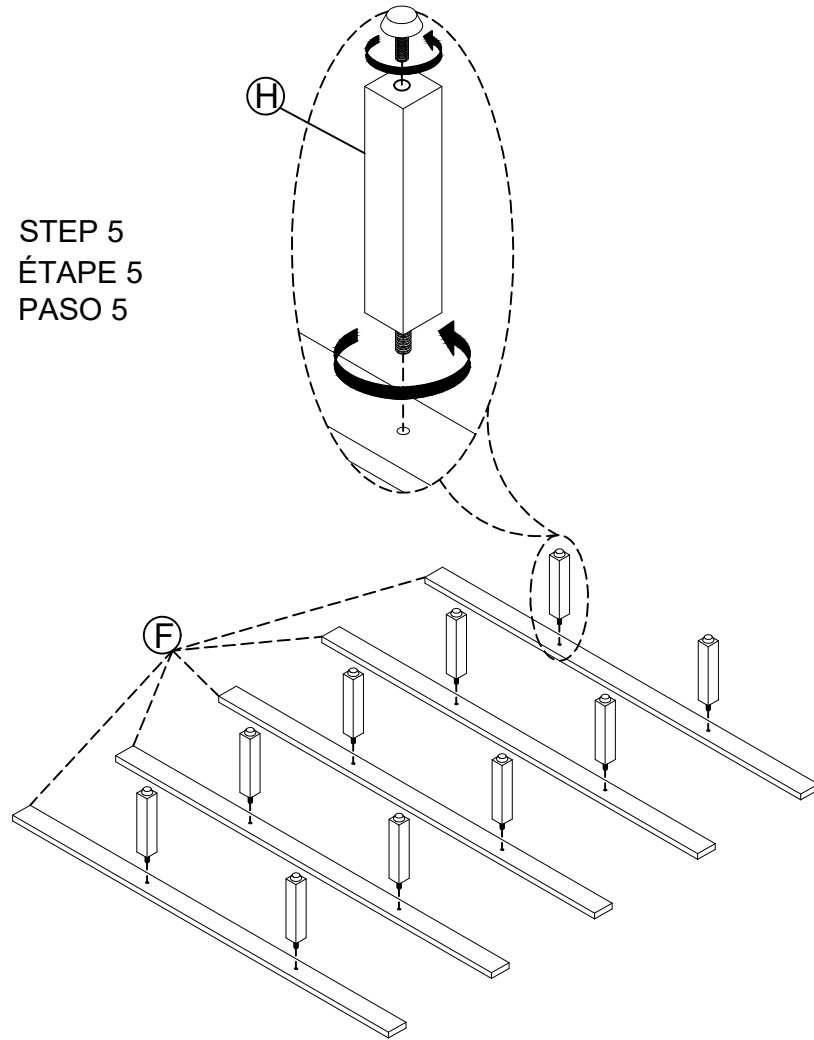
STEP 3  
ÉTAPE 3  
PASO 3



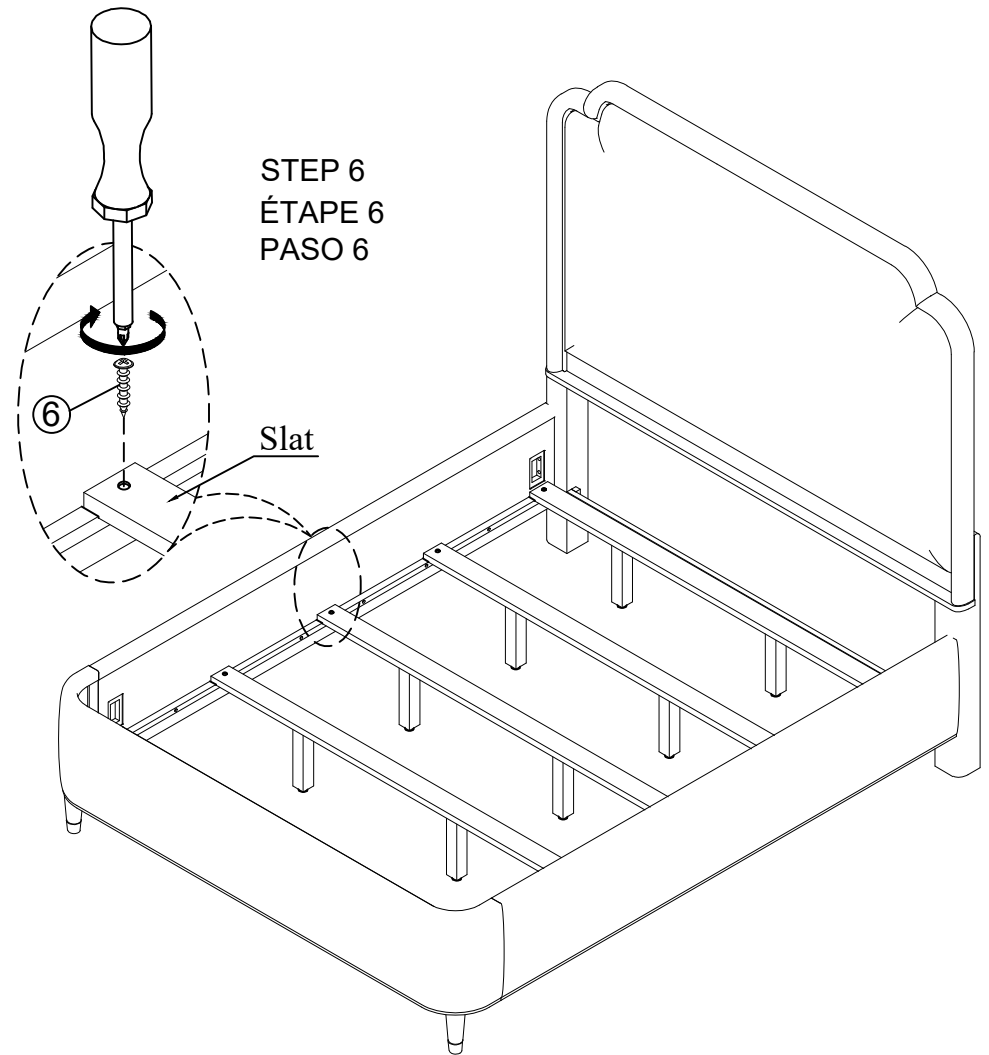
STEP 4  
ÉTAPE 4  
PASO 4

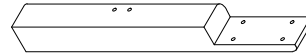
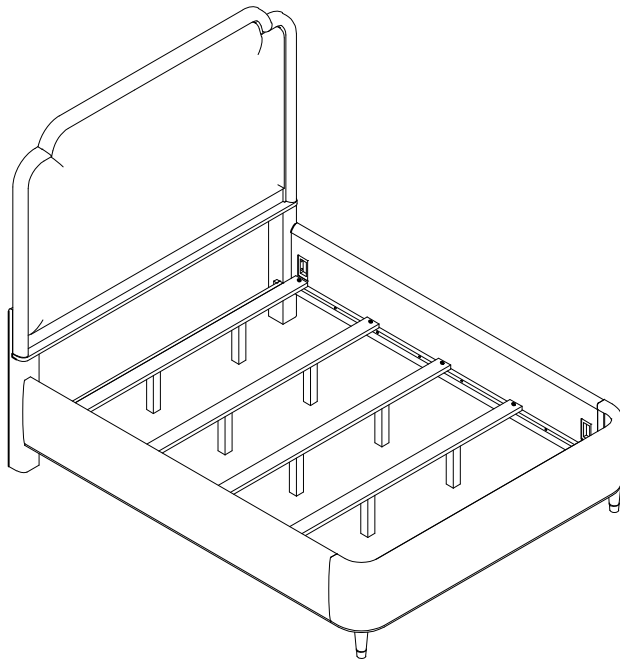


STEP 5  
ÉTAPE 5  
PASO 5

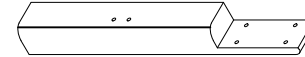


STEP 6  
ÉTAPE 6  
PASO 6

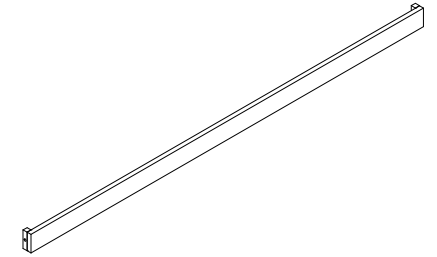




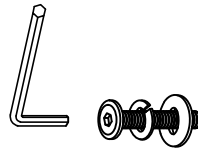
x1 RP377170-LEGL-Left Leg  
 Patte de gauche  
 Pata izquierda



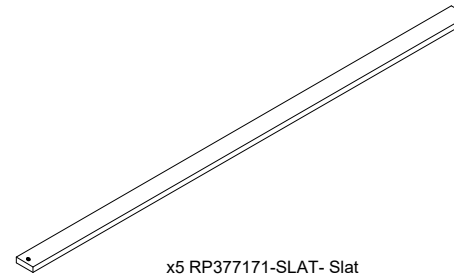
x1 RP377170-LEGR-Right Leg  
 Patte de droite  
 Pata derecha



x1 RP377170-STRET - Stretcher  
 - Traverse  
 - Travesaño



x1 RP377170-HWKIT-Hardware kit list  
 - Liste des pièces de quincaillerie  
 - Lista del kit de materiales



x5 RP377171-SLAT- Slat  
 - Lattes  
 - Listones



x10 RP377171-SULEG - Slat Support  
 - Pied  
 - Pata de soporte



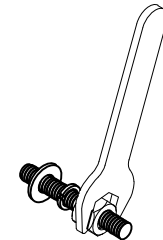
x10 RP377171-SCREW- Slat Screw  
 -Vis à bois  
 -Tornillo para madera



x10 RC-FG-WHITE - White Leveler  
 - Patin réglable  
 - Nivelador



x2 RP377171-FOOT- FB Foot with Metal  
 - Pied  
 - Pie



x1 RP377172-HWKIT-Hardware kit list  
 - Liste des pièces de quincaillerie  
 -Lista del kit de materiales

## **Protect Your Wood or Laminate Flooring**

\*This statement applies to any floor without carpet.

If not careful, all furniture including upholstery and case pieces can scratch, scuff and even gouge floors. The recommendation is to have felt, rubber pads or area rugs under furniture on flooring without carpet.

### **Moving your furniture**

Pushing and dragging furniture over floors without carpet can lead to scratches and scuffs. Have someone

help when moving the larger pieces of furniture by lifting, try using a dolly or moving pads.

### **Felt and rubber pads**

Applying furniture pads to the feet of furniture helps cushion contact points. Furniture pads can be found at local hardware stores. Felt pads slide easily across the floor, making them ideal for dining chairs and other pieces that move with use. Rubber pads will help furniture stay in place and are perfect for larger pieces, like sofas and loveseats.

### **Area rugs and rug pads**

Using an area rug under furniture is another way to protect your floor from scratches and scuff marks. A rug pad under the area rug will provide extra cushion and added protection.