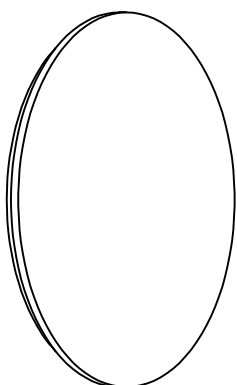
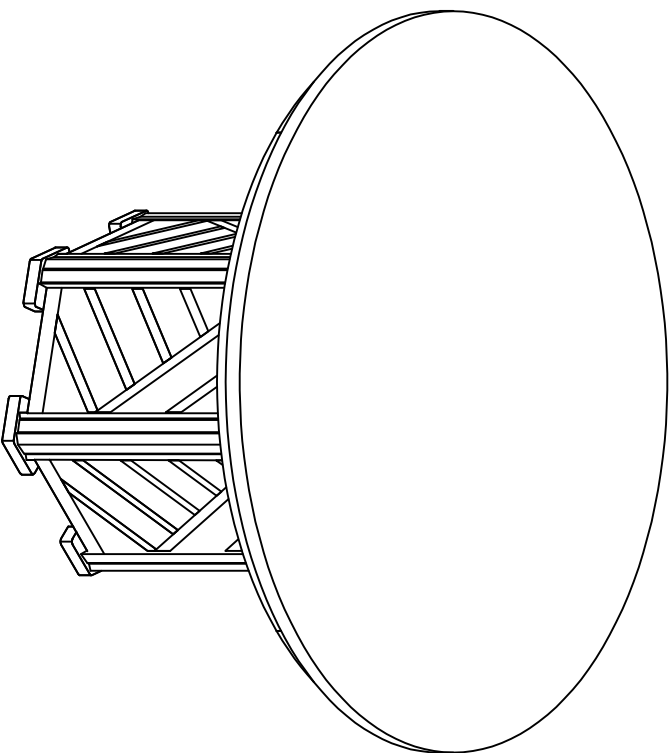
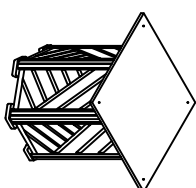


PARTS LIST / LISTE DES PIÈCES / LISTA DE PIEZA
ITEM / NO D'ARTICLE / ARTICULO.: S964-131A / 131B
DESCRIPTION / DESCRIPCION : Round Dining Table / Table à manger ronde / Mesa de comedor redonda
Base Frame / Cadre basse / Marco de bajo



(A)

- x1 Table Top
- x1 Dessus de la table
- x1 Mesa



(B)

- x1 Base Frame
- x1 Chassis de base
- x1 Bastidor de base



(1)

- x4 Allen bolt Ø5/16 * 38*
- x4 Vis à tête creuse hexagonale Ø5/16 * 38*
- x4 Perno Allen Ø5/16 * 38*



(2)

- x4 Lock washer Ø5/16**132mm *
- x4 Rondelle de blocage Ø5/16**132mm
- x4 Arandela de Seguridad Ø5/16**132mm



(3)

- x4 Flat washer Ø5/16**192mm *
- x4 Rondelle plate Ø5/16**192mm
- x4 Arandela plana Ø5/16**192mm



(4)

- x1 Allen key M4 *
- x1 Clé hexagonale
- x1 Llave Allen

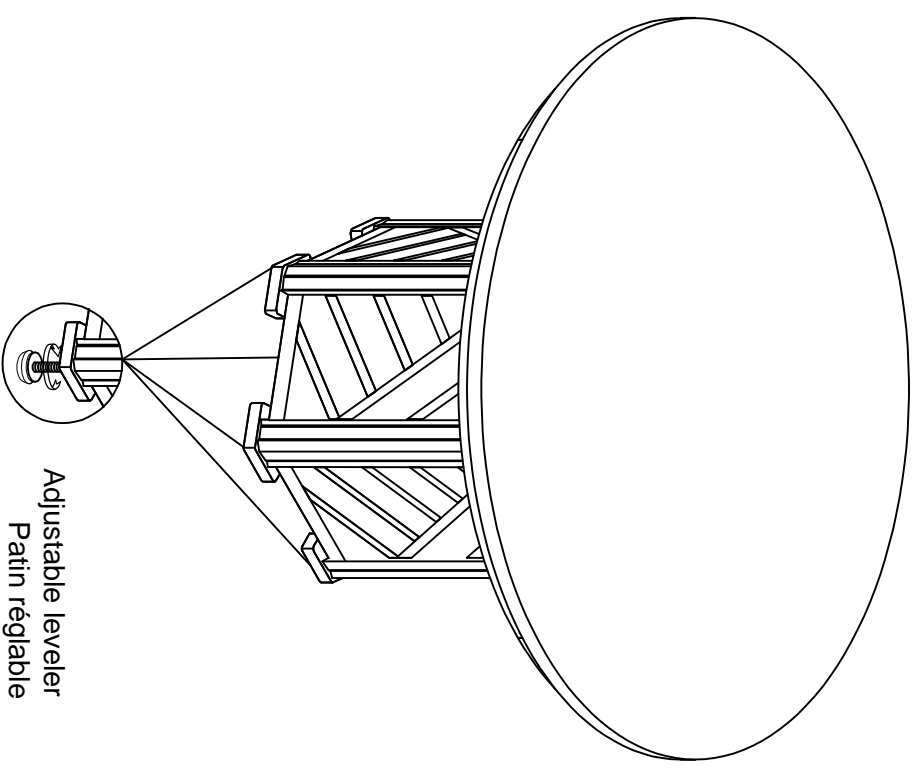
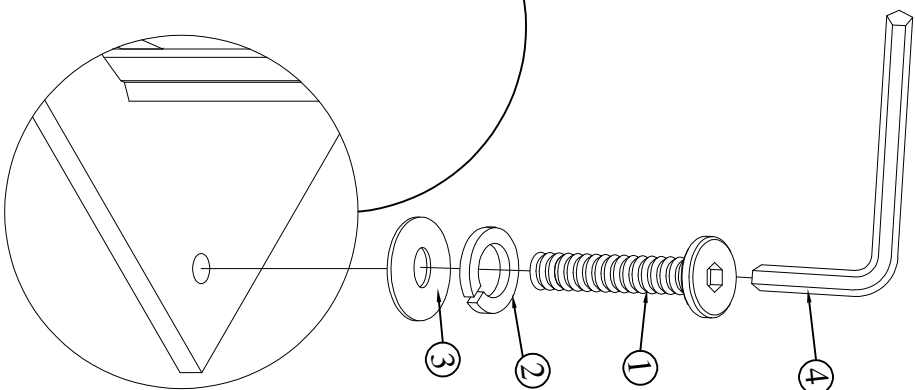
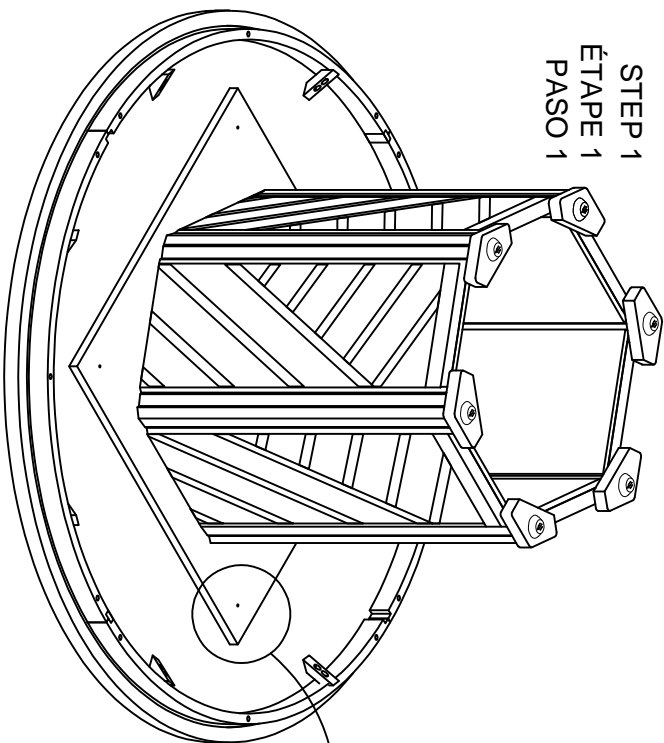
*Replaceable Part

ASSEMBLY INSTRUCTION / NOTICE DE MONTAGE / INSTRUCCIONES DE MONTAJE

ITEM / NO D'ARTICLE / ARTICULO.: S964-131A / 131B

DESCRIPTION / DESCRIPTION : Round Dining Table / Table à manger ronde / Mesa de comedor redonda
Bass Frame / Cadre basse / Marco de bajo

STEP 1
ÉTAPE 1
PASO 1



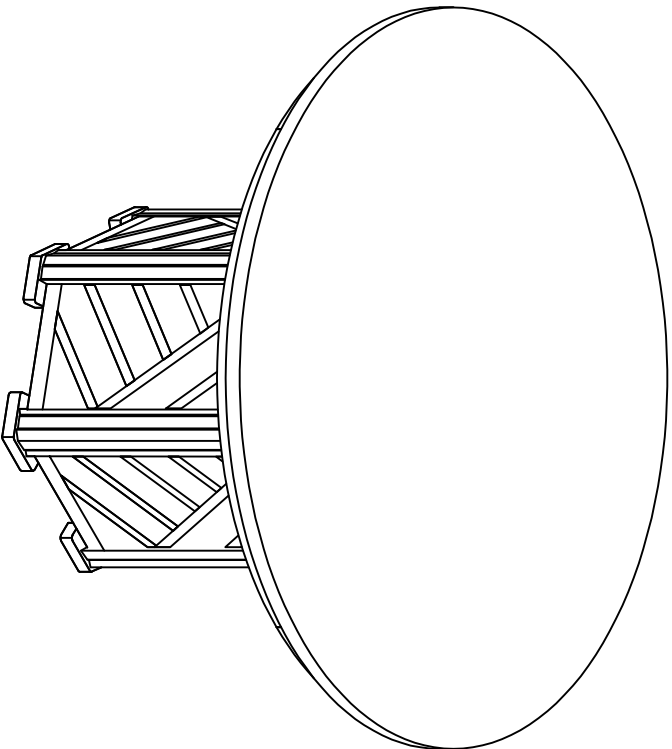
Adjustable leveler
Patin réglable
Nivelador ajustable

* Replaceable Part

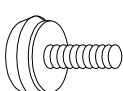
REPLACEABLE PART / PARTIE REMPLACABLE / PARTE REEMPLAZABLE

ITEM / NO D'ARTICLE / ARTICULO.: S964-131A / 131B

DESCRIPTION / DESCRIPCION : Round Dining Table / Table à manger ronde / Mesa de comedor redonda
Bass Frame / Cadre basse / Marco de bajo



x1 RS964-131B-HWKIT-Hardware kit list *
Liste des pièces de quincailleries
Lista del kit de materiales



x8 RC-F-G-BROWN-Brown leveler *
Niveladora marron
Niveleur marron

* Replaceable Part

Protect Your Wood or Laminate Flooring

*This statement applies to any floor without carpet.

If not careful, all furniture including upholstery and case pieces can scratch, scuff and even gouge floors. The recommendation is to have felt, rubber pads or area rugs under furniture on flooring without carpet.

Moving your furniture

Pushing and dragging furniture over floors without carpet can lead to scratches and scuffs. Have someone help when moving the larger pieces of furniture by lifting, try using a dolly or moving pads.

Felt and rubber pads

Applying furniture pads to the feet of furniture helps cushion contact points. Furniture pads can be found at local hardware stores. Felt pads slide easily across the floor, making them ideal for dining chairs and other pieces that move with use. Rubber pads will help furniture stay in place and are perfect for larger pieces, like sofas and loveseats.

Area rugs and rug pads

Using an area rug under furniture is another way to protect your floor from scratches and scuff marks. A rug pad under the area rug will provide extra cushion and added protection.