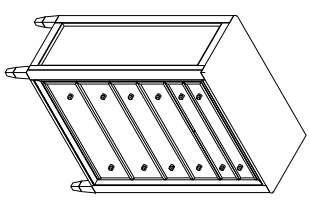
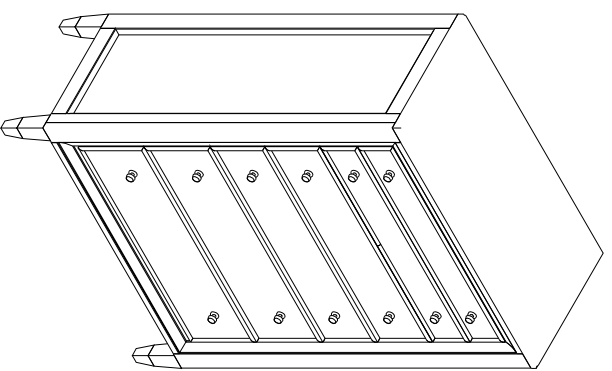


PARTS LIST / LISTE DES PIÈCES / LISTA DE PIEZAS

ITEM NO. / NO D'ARTICLE / ARTICULO NO. : P359124

DESCRIPTION / LA DESCRIPTION / DESCRIPCIÓN: CHEST / COMMUNE / CÒMODA

⚠ WARNING	
	<p>Children have died from furniture tipover. To reduce the risk of furniture tipover:</p> <ul style="list-style-type: none"> • NEVER put a TV on this product. • NEVER allow children to stand, climb or hang on drawers, doors, or shelves. • NEVER open more than one drawer at a time. • Place heaviest items in the lowest drawers. <p>This is a permanent label. Do not remove!</p>
	



A

- x1 Chest
- x1 Commode
- x1 Còmoda

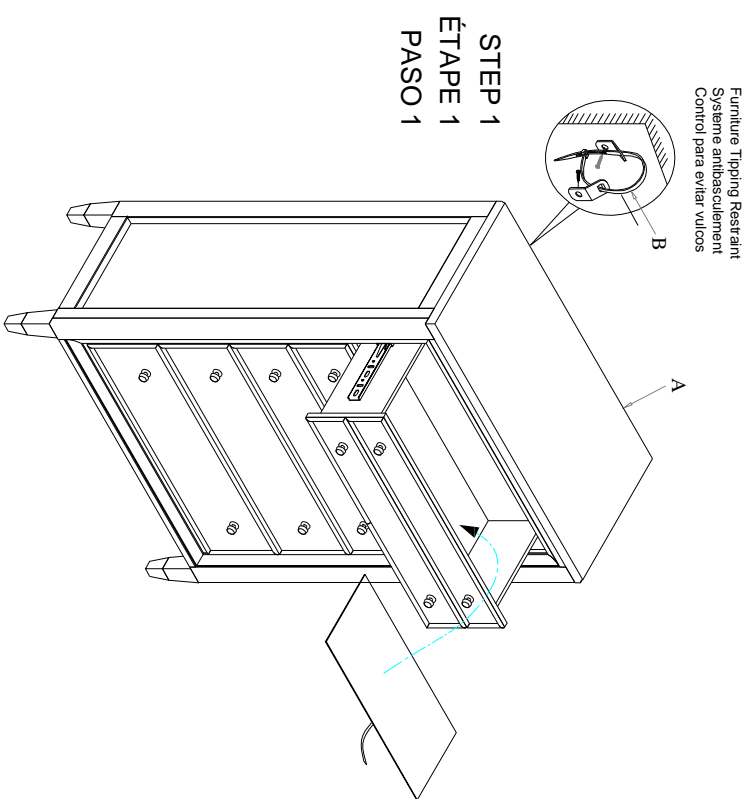


B

- x1 Furniture Tipping Restraint *
- x1 Systeme antibasculement
- x1 Control para evitar vlticos

*** Replaceable Part**

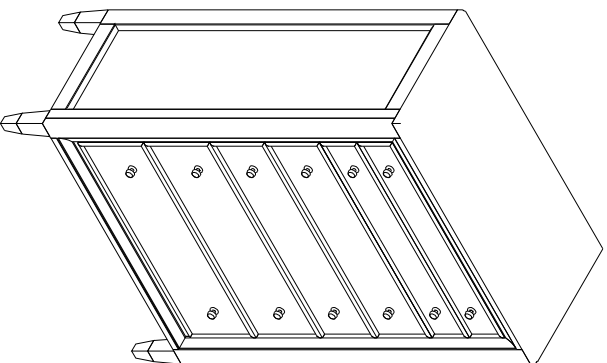
⚠ WARNING	
	<p>Children have died from furniture tipover. To reduce the risk of furniture tipover:</p> <ul style="list-style-type: none"> • NEVER put a TV on this product. • NEVER allow children to stand, climb or hang on drawers, doors, or shelves. • NEVER open more than one drawer at a time. • Place heaviest items in the lowest drawers. <p>This is a permanent label. Do not remove!</p>
	



*** Replaceable Part**

REPLACEABLE PART / PARTIE REMPLAÇABLE / PARTE REEMPLAZABLE
 ITEM NO./ NO D'ARTICLE/ ARTICULO NO. : P359124
 DESCRIPTION/ LA DESCRIPTION/ DESCRIPCIÓN: CHEST / COMMODOE / CÒMODA

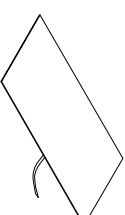
⚠ WARNING	
	<p>Children have died from furniture tipover. To reduce the risk of furniture tipover:</p> <ul style="list-style-type: none"> • NEVER put a TV on this product. • NEVER allow children to stand, climb or hang on drawers, doors, or shelves. • NEVER open more than one drawer at a time. • Place heaviest items in the lowest drawers. <p>This is a permanent label. Do not remove!</p>
	



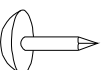
x1 RC-ANTI-TIP - Anti-tipping Restraint *
 Systeme antitascuelment
 Control para evitar vuelcos



x5 COMGLIDE-10-45 - Glide 12inch 45mm *
 Tiroir Glide
 Deslizamiento del cajón



x1 RP359124-FELT-Removable Felt *
 Removable Felt
 Felpa Faltiro



x4 RC-WH-NAIL - White Plastic Nail *
 Clou en plastique
 Clavo de plástico



x8 RP359100-KNOBB - Knob with Screw (Big) *
 Poignée + vis
 Tirador + Tornillo



x4 RP359100-KNOBS-Knob with Screw (Small) *
 Poignée + vis
 Tirador + Tornillo

*** Replaceable Part**

Protect Your Wood or Laminate Flooring

* This statement applies to any floor without carpet.

If not careful, all furniture including upholstery and case pieces can scratch, scuff and even gouge floors. The recommendation is to have felt, rubber pads or area rugs under furniture on flooring without carpet.

Moving your furniture

Pushing and dragging furniture over floor without carpet can lead to scratches and scuffs. Have someone help when moving the larger pieces of furniture by lifting, try using a dolly or moving pads.

Felt and rubber pads

Applying furniture pads to the feet of furniture helps cushion contact points. Furniture pads can be found at local hardware stores. Felt pads slide easily across the floor, making them ideal for dining chairs and other pieces that move with use. Rubber pads will help furniture stay in place and are perfect for larger pieces, like sofas and loveseats.

Area rugs and rug pads

Using an are rug under furniture is another way to protect your floor from scratches and scuff marks. A rug pad under the area rug will provide extra cushion and added protection.

* *Replaceable Part*