



PARTS LIST / LISTE DES PIÈCES / LISTA DE PIEZAS

ITEM NO. / ARTICLE NO. / ARTICULO NO : S838-010/030

DESCRIPTION / LA DESCRIPCION / DESCRIPCIÓN : DRESSER-COMMODE-TOCADOR
MIRROR-MIROIR-ESPEJO

WARNING

Children have died from furniture tip-over. To reduce the risk of furniture tip-over:

- ALWAYS install tip-over restraint provided.
- NEVER put a TV on this product.
- NEVER allow children to stand, climb or hang on drawers, doors, or shelves.
- NEVER open more than one drawer at a time.
- Place heaviest items in the lowest drawers.

This is a permanent label. Do not remove!



(A)
x1 Dresser
x1 Commode
x1 Tocador



(B)
x1 Mirror
x1 Miroir
x1 Espejo



(C)
x2 Mirror Support*
x2 Supporte de miroir
x2 Soporte del espejo



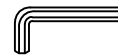
(D)
x8 Allen bolt Ø1/4"x45mm*
x8 Vis à tête creuse hexagonale Ø1/4"x45mm
x8 Perno Allen Ø1/4"x45mm



(E)
x16 Lock washer Ø1/4"*
x16 Rondelle de blocage Ø1/4"
x16 Arandela de Seguridad Ø1/4"



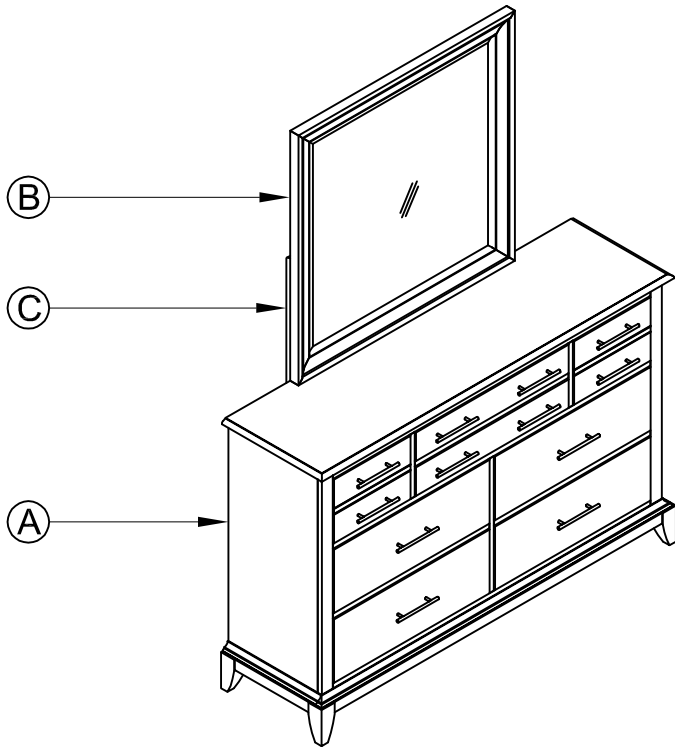
(F)
x16 Flat Washer Ø1/4"x16x1.5mm*
x16 Rondelle plate Ø1/4"x16x1.5mm
x16 Arandela plana Ø1/4"x16x1.5mm



(G)
x1 Allen Key 4mm*
x1 Clé hexagonale 4mm
x1 Llave Allen 4mm



(H)
x1 Furniture tipping restraint*
x1 Système antibasculement
x1 Control para evitar vuelcos



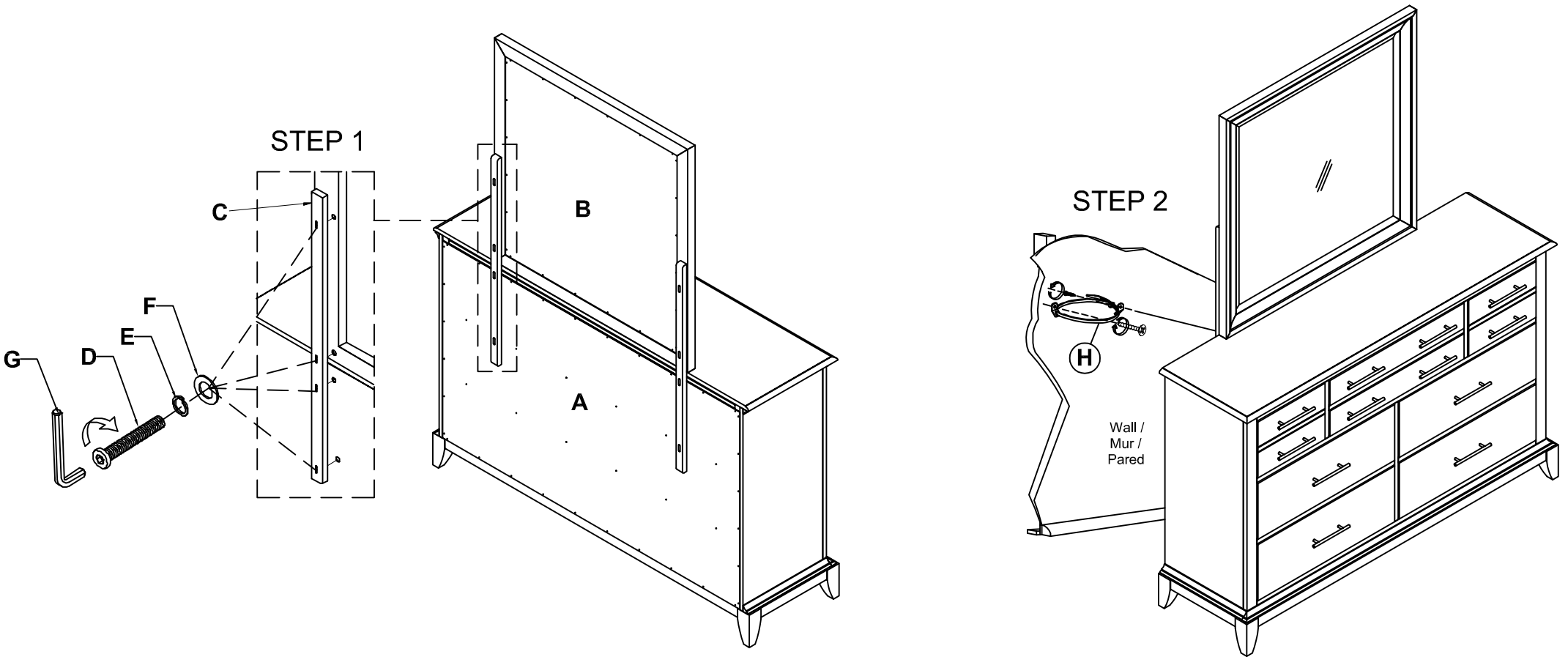
* Replaceable Part



ASSEMBLY INSTRUCTION / NOTICE DE MONTAGE/ INSTRUCCIONES DE MONTAJE

ITEM NO. / ARTICLE NO. / ARTICULO NO : S838-010/030

DESCRIPTION / LA DESCRIPCION / DESCRIPCIÓN : DRESSER-COMMODE-TOCADOR
MIRROR-MIROIR-ESPEJO



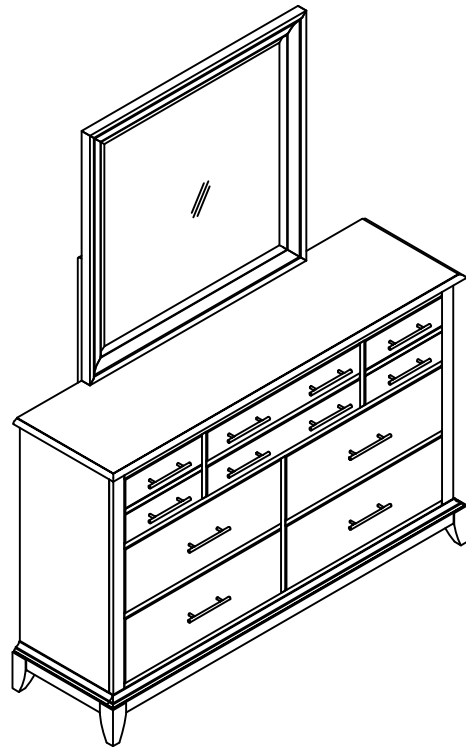
* Replaceable Part



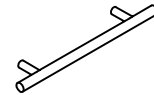
REPLACEABLE PART/ PARTIE REMPLACABLE/ PARTE REEMPLAZABLE

ITEM NO. / ARTICLE NO. / ARTICULO NO : S838-010/030

DESCRIPTION / LA DESCRIPCION / DESCRIPCIÓN : DRESSER-COMMODE-TOCADOR
MIRROR-MIROIR-ESPEJO



x2 RS838-030-MISU - Mirror Support*
Supporte de miroir
Soporte del espejo



x12 RS838-010 - Pull - Pull with Screw*
Tirer et vis
Tire y Tornillo



x 8 COMGLIDE 12-35 Glide 12 inch 35mm*
Glissière
Carril de deslizamiento



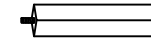
x1 RS838-030-HWKIT-Hardware Kit*
Liste des pièces de quincaillerie
Lista de materiales



x4 RC-BL-NAIL-Black Plastic Nail*
Clou en plastique
Clavo de plástico



x1 RC-FG-BLACK -Black Leveler*
Patin réglable
Nivelador



x1 RS838-010-CELEG- Center support leg*
Pattes de supports
Patatas de apoyo de listones



x1 RC-ANTI-TIP Anti-tipping Restraint*
Liste des pièces de quincaillerie antibasculement
Lista del kit de materiales antivuelco

* Replaceable Part