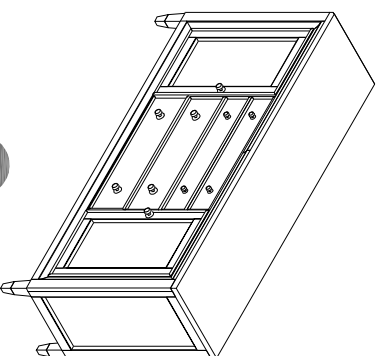
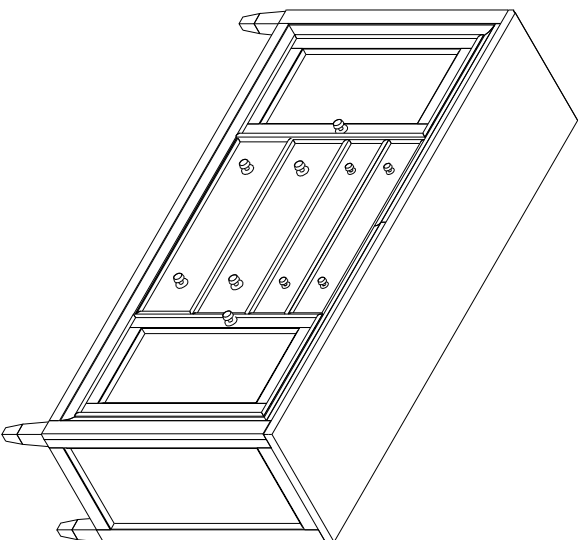


PARTS LIST / LISTE DES PIÈCES / LISTA DE PIEZAS
ITEM NO. / NO D'ARTICLE / ARTICULO NO. : P359302
DESCRIPTION / LA DESCRIPTION / DESCRIPCIÓN : BUFFET / BUFFET / APARADOR

A WARNING	<p>Children have died from furniture tipover. To reduce the risk of furniture tipover:</p> <ul style="list-style-type: none"> • NEVER put a TV on this product. • NEVER allow children to stand, climb or hang on drawers, doors, or shelves. • NEVER open more than one drawer at a time. • Place heaviest items in the lowest drawers. <p>This is a permanent label. Do not remove!</p>
	
	



- A**
- x1 Buffet
 - x1 Buffet
 - x1 Aparador



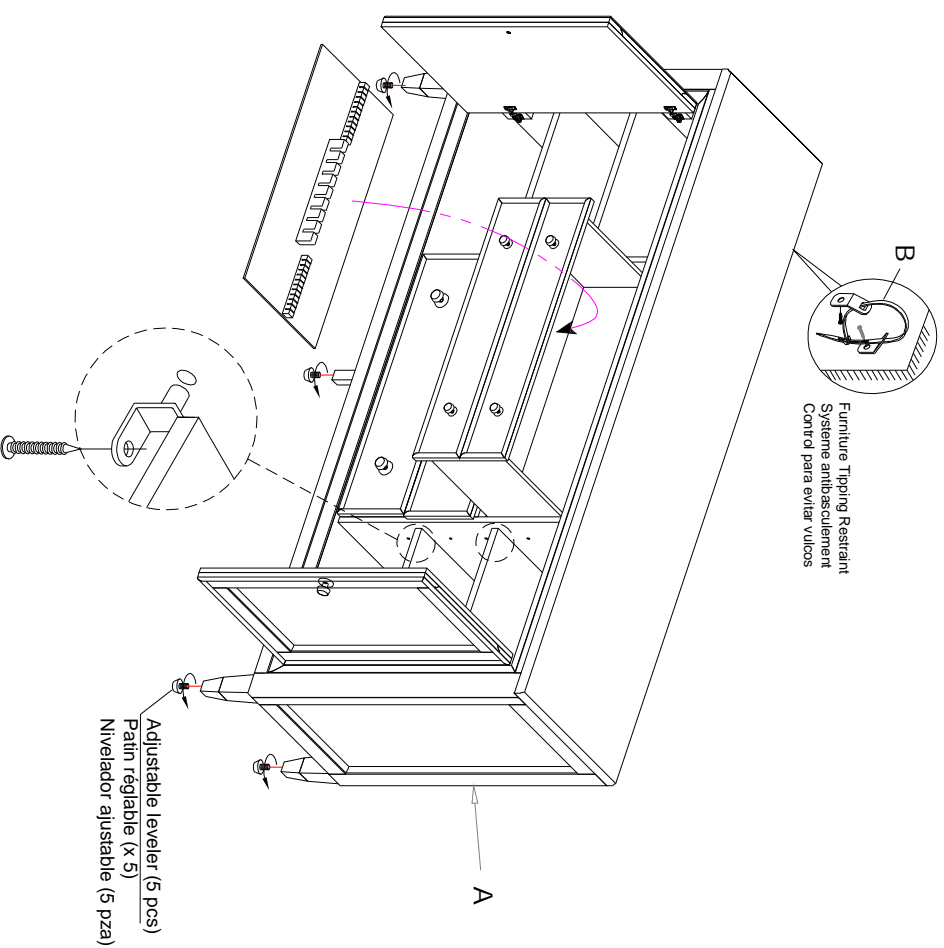
- B**
- x1 Furniture Tipping Restraint *
 - x1 Systeme antibasculement
 - x1 Control para evitar vuelcos

* Replaceable Part

ASSEMBLY INSTRUCTIONS/ NOTICE DE MONTAGE/ INSTRUCCIONES DE MONTAJE
 ITEM NO./ NO D'ARTICLE/ ARTICULO NO. : P359302
 DESCRIPTION/ LA DESCRIPTION /DESCRIPCIÓN : BUFFET / BUFFET / APARADOR

A WARNING	<p>Children have died from furniture tipover. To reduce the risk of furniture tipover:</p> <ul style="list-style-type: none"> • NEVER put a TV on this product. • NEVER allow children to stand, climb or hang on drawers, doors, or shelves. • NEVER open more than one drawer at a time. • Place heaviest items in the lowest drawers. <p>This is a permanent label. Do not remove!</p>
	

**STEP 1
ÉTAPE 1
PASO 1**



* Replaceable Part

REPLACEABLE PART / PARTIE REMPLAÇABLE / PARTE REEMPLAZABLE
ITEM NO. / NO D'ARTICLE/ ARTICULO NO. : P359302
DESCRIPTION/ LA DESCRIPTION /DESCRIPCIÓN : BUFFET / BUFFET / APARADOR

⚠ **WARNING**

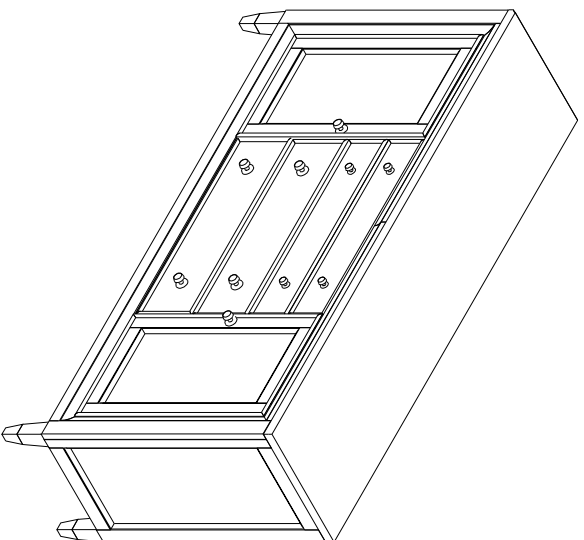





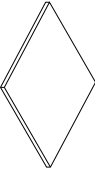

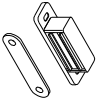
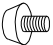

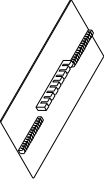


Children have died from furniture tipover. To reduce the risk of furniture tipover:

- **NEVER** put a TV on this product.
- **NEVER** allow children to stand, climb or hang on drawers, doors, or shelves.
- **NEVER** open more than one drawer at a time.

Place heaviest items in the lowest drawers.
This is a permanent label. Do not remove!





- | | | |
|---|---|---|
| <p>x16 RP359302-CLIP- Shelf Clip *
Supports Four
Tablote Sopore De Las Repisas</p>  | <p>x1 RP359302-CE-Center Support Leg *
Support central
Sopore para la pata central</p>  | <p>x4 RP359302-HINGE-Door Hinge *
Charnière de porte
Bisagra de la puerta</p>  |
| <p>x4 RP359302-SHELF-Wood Shelf *
Etagère
Repisa/ Estante</p>  | <p>x3 COMGLIDE-10-45-Glide 10inch 45mm *
Glisère
Carri de deslizamiento</p>  | <p>x4 RP359302-CATCH-Door Catch *
Catch de aimant
Captura de imán</p>  |
| <p>x5 RC-FG-WHITE-White Leveler *
Patin réglable
Nivelador</p>  | <p>x4 RP359100-KNOBS-Knob with Screw (Small) *
Poignée + vis
Tirador + Tornillo</p>  | <p>x1 RP359302-TRAY - Jewelry Tray *
Plateau de bijoux
Bandeja de joyas</p>  |
| <p>x1 RC-ANT-TIP- Anti-tipping Restraint *
Système antirassaclement
Control para evitar vuelcos</p>  | <p>x6 RP359100-KNOBB - Knob with screw (Big) *
Poignée + vis
Tirador + Tornillo</p>  | |

*** Replaceable Part**

Protect Your Wood or Laminate Flooring

* This statement applies to any floor without carpet.

If not careful, all furniture including upholstery and case pieces can scratch, scuff and even gouge floors. The recommendation is to have felt, rubber pads or area rugs under furniture on flooring without carpet.

Moving your furniture

Pushing and dragging furniture over floor without carpet can lead to scratches and scuffs. Have someone help when moving the larger pieces of furniture by lifting, try using a dolly or moving pads.

Felt and rubber pads

Applying furniture pads to the feet of furniture helps cushion contact points. Furniture pads can be found at local hardware stores. Felt pads slide easily across the floor, making them ideal for dining chairs and other pieces that move with use. Rubber pads will help furniture stay in place and are perfect for larger pieces, like sofas and loveseats.

Area rugs and rug pads

Using an are rug under furniture is another way to protect your floor from scratches and scuff marks. A rug pad under the area rug will provide extra cushion and added protection.

* *Replaceable Part*