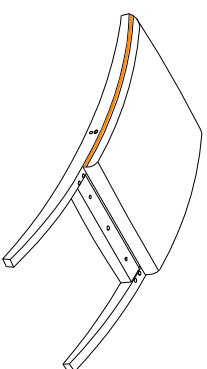
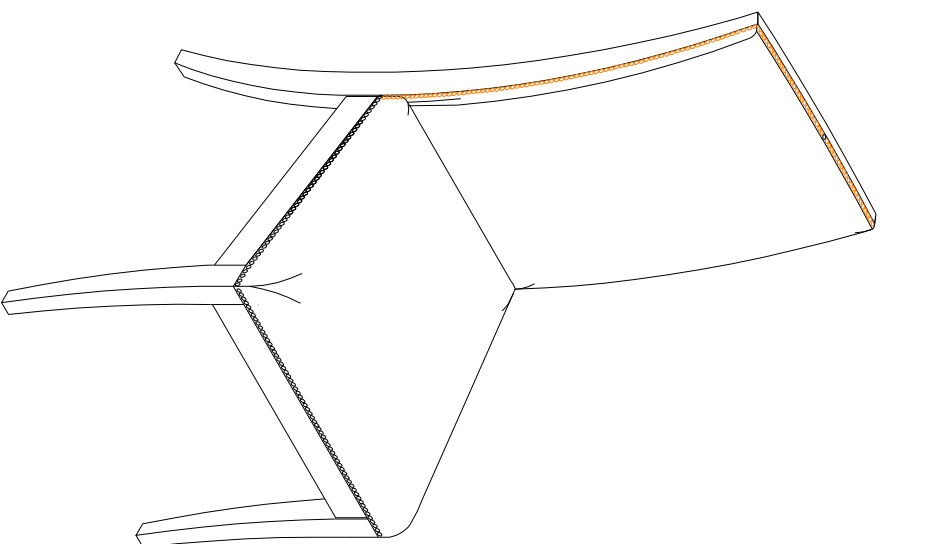
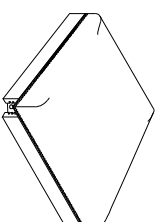


PARTS LIST / LISTE DES PIÈCES / LISTA DE PIEZAS
 ITEM NO. / NO D'ARTICLE / ARTICULO NO. : P359270
 DESCRIPTION / LA DESCRIPTION / DESCRIPCIÓN : UPH SIDE CHAIR 2PC / CHAISE D'APPOINT CAPITONNÉ / SILLA TAPIZADA



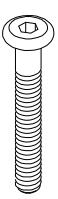
- A**
- x1 Chair back *
 - x1 Dossier de chaise
 - x1 Respaldo de la silla



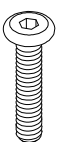
- B**
- x1 Seat frame *
 - x1 Côté du cadre
 - x1 Armazon lateral



- C**
- x2 Left/Right front leg *
 - x2 Gauche/Bras patte avant
 - x2 Izquierda/Bras pata delantera



- D**
- x4 Allen bolt $\phi 5/16$ " x76mm *
 - x4 Vis à tête creuse hexagonale $\phi 5/16$ " x76mm
 - x4 Perno Allen $\phi 5/16$ " x76mm



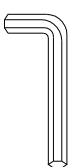
- E**
- x5 Allen bolt $\phi 5/16$ " x57mm *
 - x5 Vis à tête creuse hexagonale $\phi 5/16$ " x57mm
 - x5 Perno Allen $\phi 5/16$ " x57mm



- F**
- x9 Flat Washer $\phi 5/16$ " x19x2mm *
 - x9 Rondelle plate $\phi 5/16$ " x19x2mm
 - x9 Arandela plana $\phi 5/16$ " x19x2mm



- G**
- x9 Lock washer $\phi 5/16$ " *
 - x9 Rondelle de blocage $\phi 5/16$ "
 - x9 Arandela de Seguridad $\phi 5/16$ "



- H**
- x1 Allen Key 5mm *
 - x1 Clé hexagonale 5mm
 - x1 Llave Allen 5mm

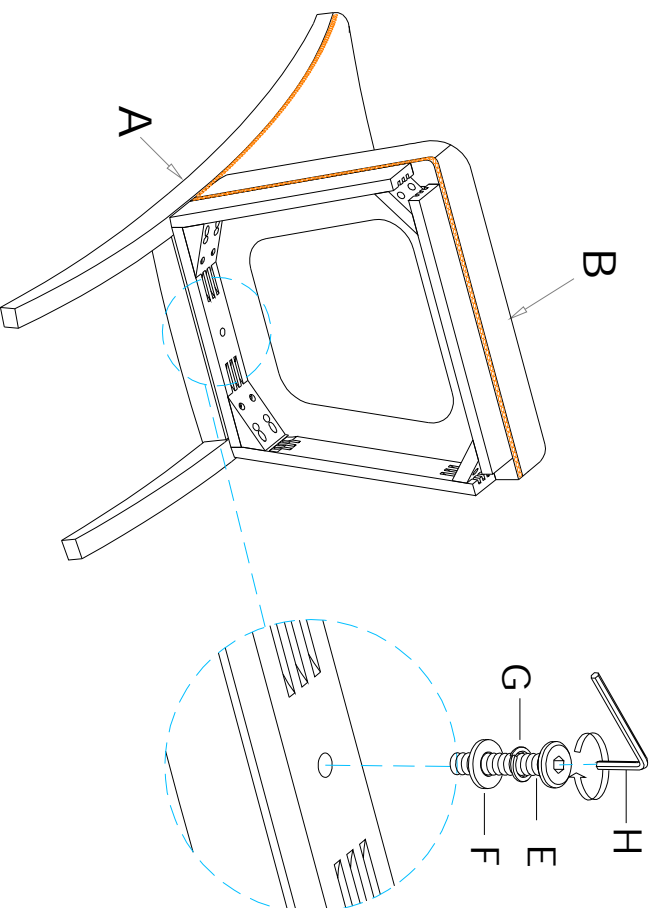
* Replaceable Part

ASSEMBLY INSTRUCTIONS/ NOTICE DE MONTAGE/ INSTRUCCIONES DE MONTAJE

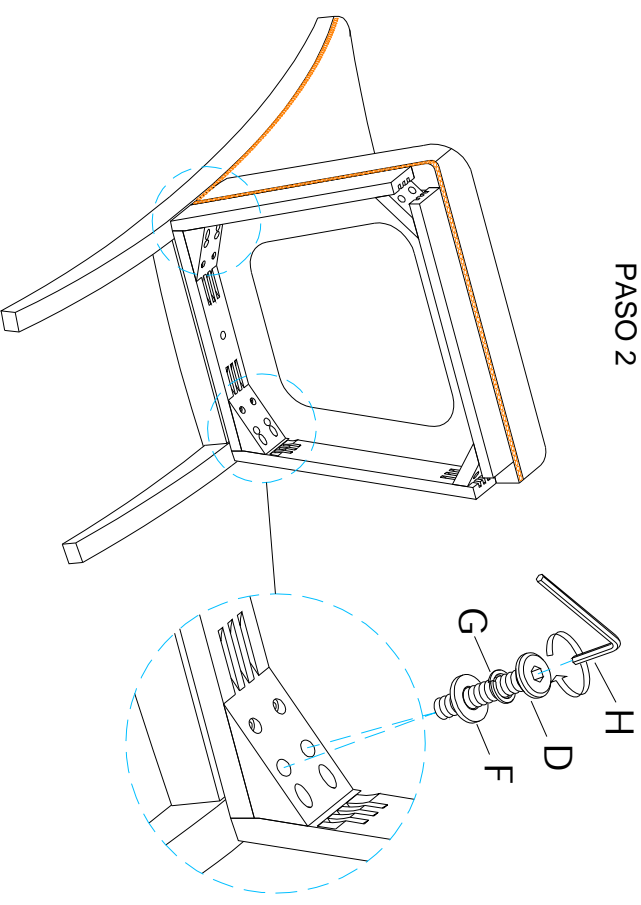
ITEM NO./ NO D'ARTICLE/ ARTICULO NO. : P359270

DESCRIPTION/ LA DESCRIPTION/ DESCRIPCIÓN : UPH SIDE CHAIR 2PC / CHAISE D'APPOINT CAPITONNÉ / SILLA TAPIZADA

STEP 1
ÉTAPE 1
PASO 1

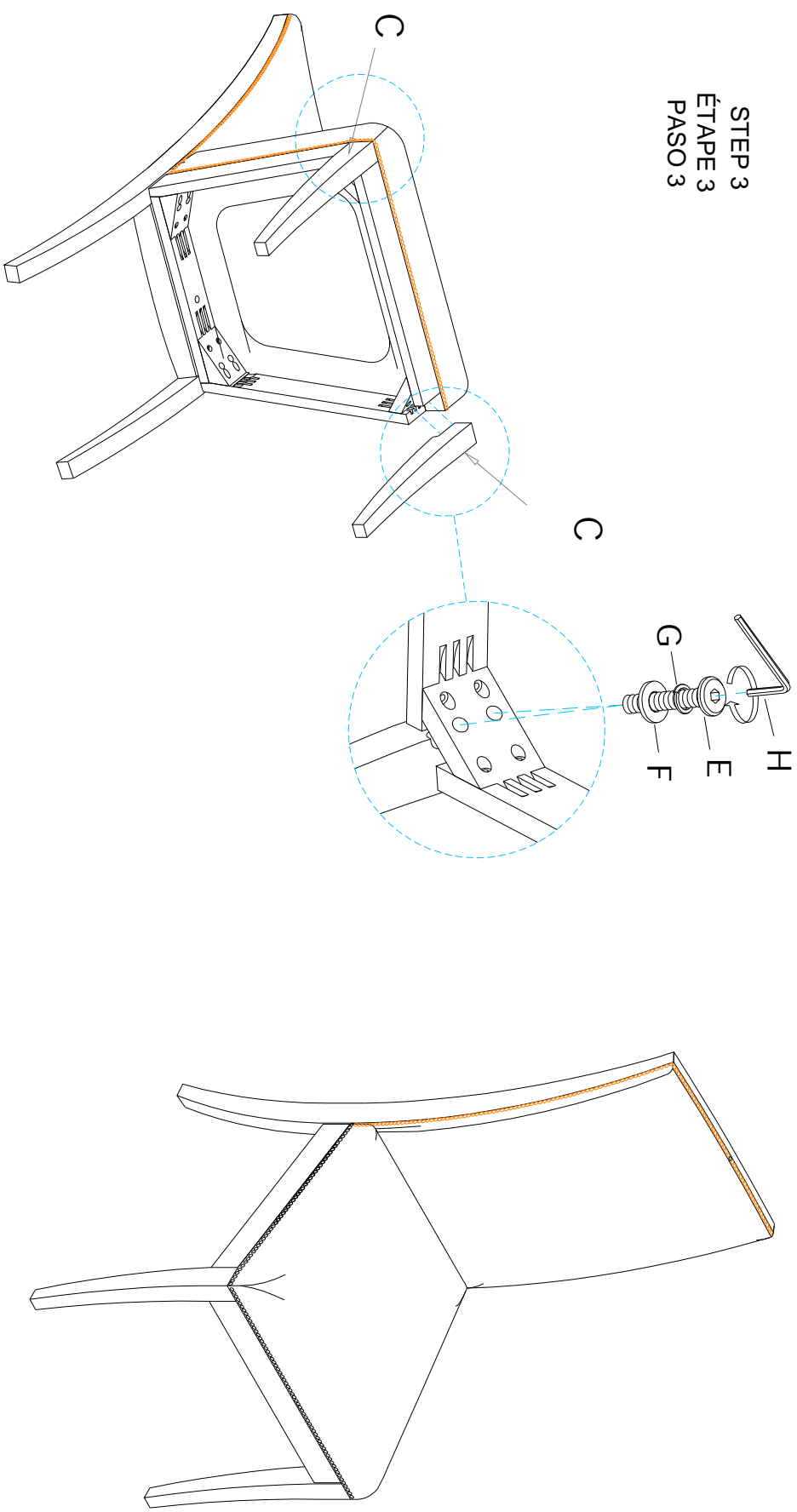


STEP 2
ÉTAPE 2
PASO 2



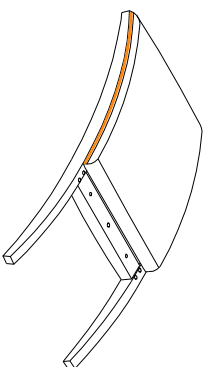
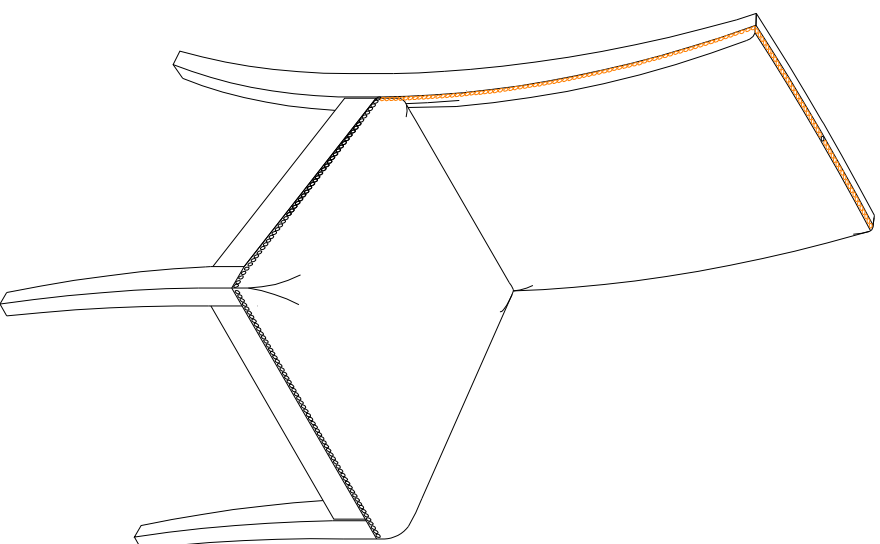
* Replaceable Part

**STEP 3
ÉTAPE 3
PASO 3**

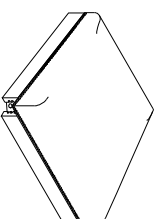


*** Replaceable Part**

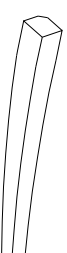
REPLACEABLE PART / PARTIE REMPLAÇABLE / PARTE REEMPLAZABLE
ITEM NO./ NO D'ARTICLE/ ARTICULO NO. : P359270
DESCRIPTION/ LA DESCRIPTION / DESCRIPCIÓN : UPH SIDE CHAIR 2PC / CHAISE D'APPOINT CAPITONNÉ / SILLA TAPIZADA



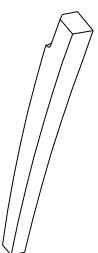
x1 RP359270-BACK- Chair Back *
 Dossier de chaise
 Espaldado de silla



x1 RP359270-FRAME- Seat frame with cushion *
 Siège avec coussin
 Cq/In de asiento con cuadro del asiento



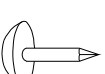
x1 RP359270-LEGL- Front leg (Left)
 Pate avant (Gauche)
 Pata delantera (Izquierda)



x1 RP359270-LEGR-Front leg (Right)
 Pate avant (Droite)
 Pata delantera (Derecha)



x1 RP359270-HW-KIT-Hardware Kit *
 Liste des pièces de quincaillerie
 Lista del kit de materiales



x4 RC-WH-NAIL - White Plastic Nail *
 Clou en plastique
 Clavo de plástico

* Replaceable Part

Protect Your Wood or Laminate Flooring

* This statement applies to any floor without carpet.

If not careful, all furniture including upholstery and case pieces can scratch, scuff and even gouge floors. The recommendation is to have felt, rubber pads or area rugs under furniture on flooring without carpet.

Moving your furniture

Pushing and dragging furniture over floor without carpet can lead to scratches and scuffs. Have someone help when moving the larger pieces of furniture by lifting, try using a dolly or moving pads.

Felt and rubber pads

Applying furniture pads to the feet of furniture helps cushion contact points. Furniture pads can be found at local hardware stores. Felt pads slide easily across the floor, making them ideal for dining chairs and other pieces that move with use. Rubber pads will help furniture stay in place and are perfect for larger pieces, like sofas and loveseats.

Area rugs and rug pads

Using an are rug under furniture is another way to protect your floor from scratches and scuff marks. A rug pad under the area rug will provide extra cushion and added protection.

* *Reproachable Part*