



A

x4 Bolt 5/16*65mm *
x4 Boulon
x4 Perno



B

x12 Lock washer 5/16 " *
x12 Rondelle de blocage
x12 Arandela de Seguridad



C

x12 Flat Washer 5/16*22mm *
x12 Rondelle plate
x12 Arandela plana



D

x1 Allen Wrench 73*29*5mm *
x1 Clé hexagonale
x1 Llave Allen



E

x8 Bolt 5/16*30mm *
x8 Boulon
x8 Perno



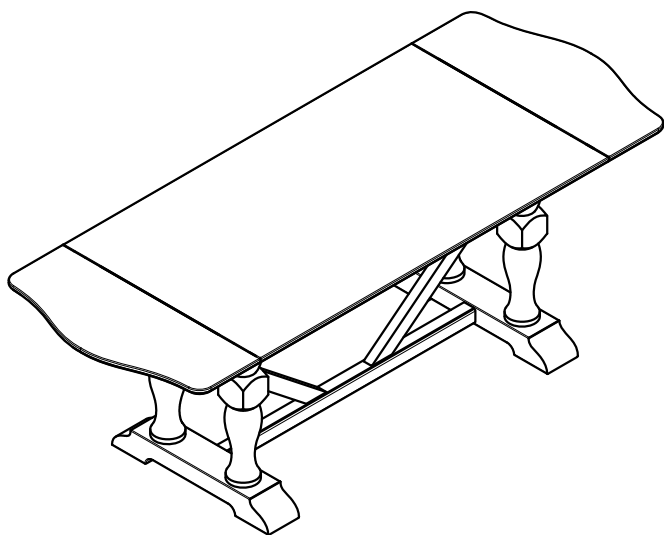
F

x4 Adjustable leveler-White 1/4*1"*28mm *
x4 Patin réglable
x4 Nivelador ajustable

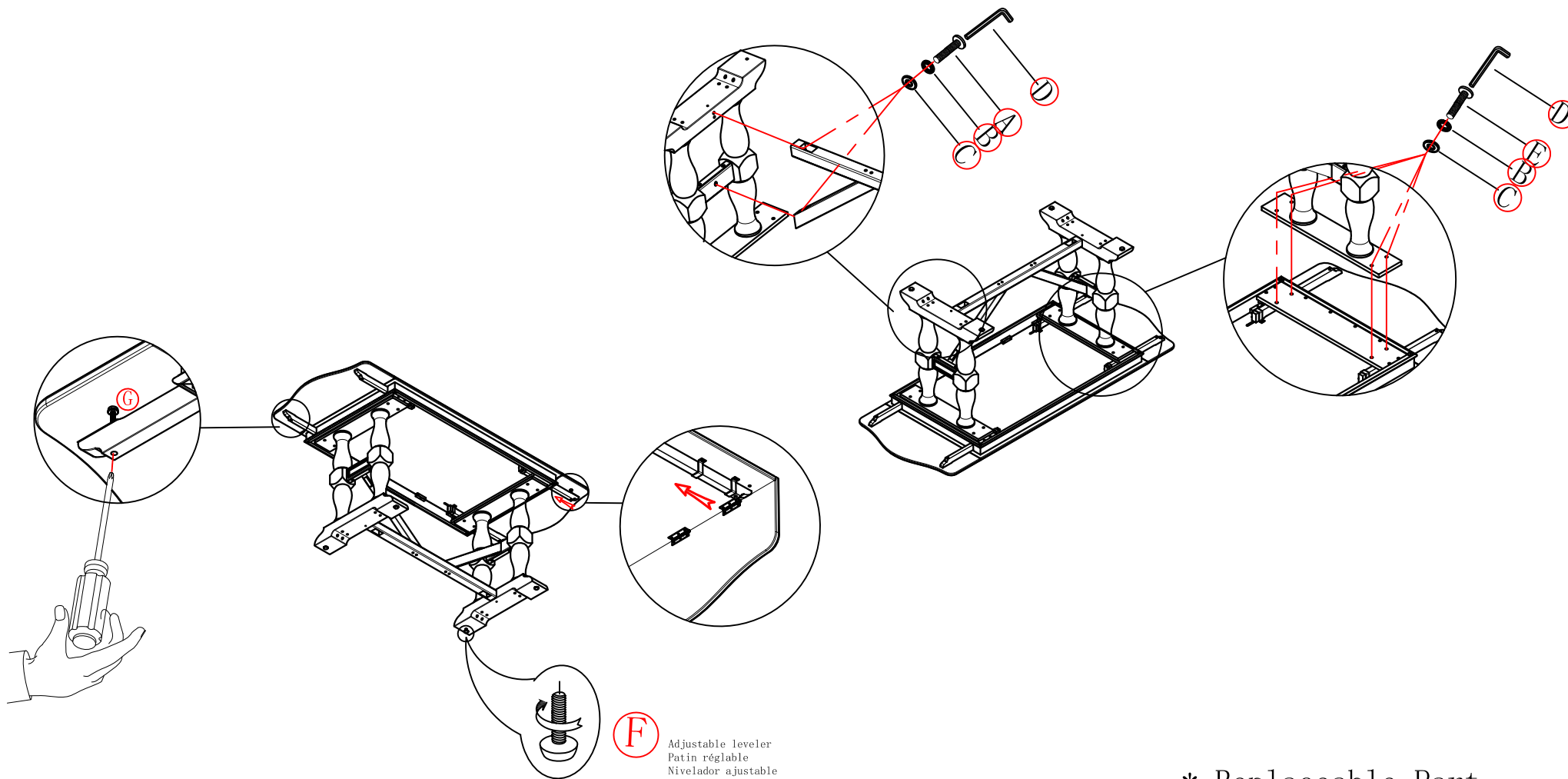


G

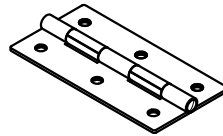
x4 Adjustable leveler for top side-White 1/4*1"*12mm *
x4 Patin réglable
x4 Nivelador ajustable



* Replaceable Part



* Replaceable Part



RP349243-HINGE *
x10 Hinge
x10 Charnière de porte
x10 Bisagra de la puerta



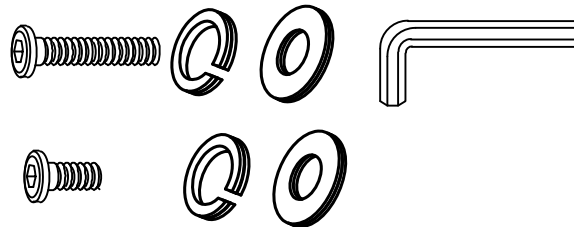
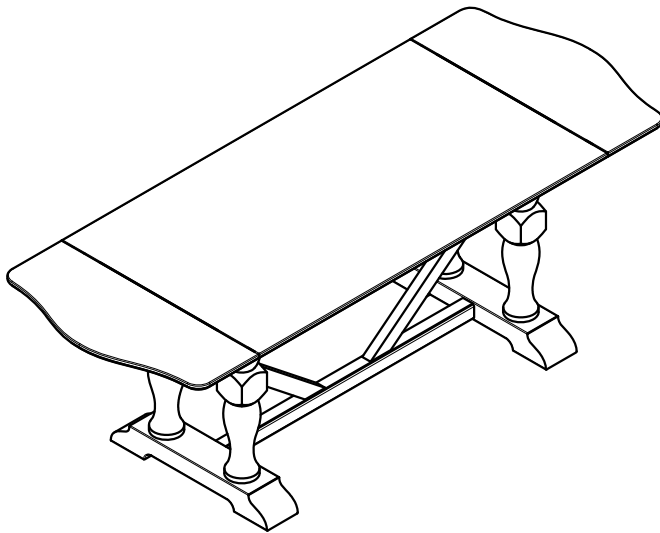
RC-FG-WHITE

x4 Adjustable leveler-White 1/4*1"*28mm *
x4 Patin réglable
x4 Nivelador ajustable



RC-TG-WHITE *

x4 Adjustable leveler for top side-White 1/4*1"*12mm
x4 Patin réglable
x4 Nivelador ajustable



RP349243-HWKIT *

x1 Hardware Kit
x1 Liste des pièces de quincaillerie
x1 Lista del materiales

* Replaceable Part

Protect Your Wood or Laminate Flooring

*This statement applies to any floor without carpet.

If not careful, all furniture including upholstery and case pieces can scratch, scuff and even gouge floors. The recommendation is to have felt, rubber pads or area rugs under furniture on flooring without carpet.

Moving your furniture

Pushing and dragging furniture over floors without carpet can lead to scratches and scuffs. Have someone help when moving the larger pieces of furniture by lifting, try using a dolly or moving pads.

Felt and rubber pads

Applying furniture pads to the feet of furniture helps cushion contact points. Furniture pads can be found at local hardware stores. Felt pads slide easily across the floor, making them ideal for dining chairs and other pieces that move with use. Rubber pads will help furniture stay in place and are perfect for larger pieces, like sofas and loveseats.

Area rugs and rug pads

Using an area rug under furniture is another way to protect your floor from scratches and scuff marks. A rug pad under the area rug will provide extra cushion and added protection.