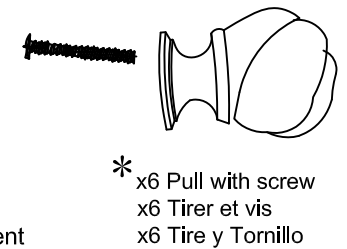
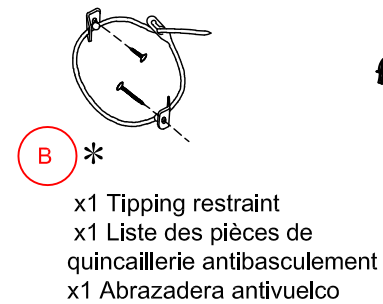
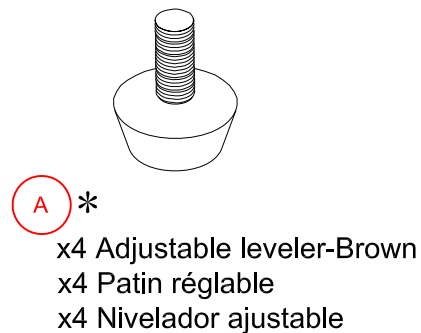
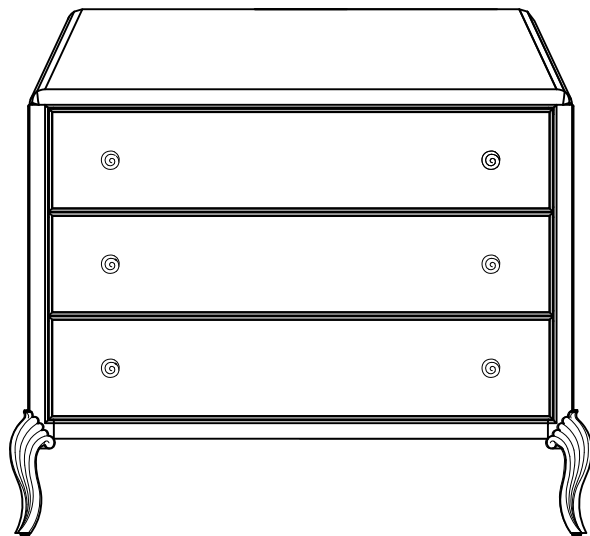


PARTS LIST / LISTE DES PIÈCES / LISTA DE PIEZAS

ITEM NO. / ARTICLE NO. / ARTICULO NO : P301016

DESCRIPTION/LA DESCRIPCION/DESCRIPCIÓN : Three Drawer Chest/Commode à tiroirs/Cómoda



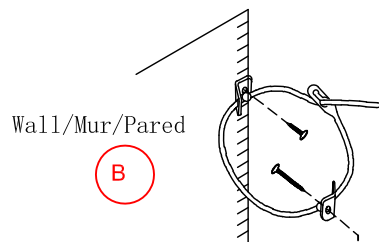
* Replaceable Part

ASSEMBLY INSTRUCTIONS/ NOTICE DE MONTAGE/ INSTRUCCIONES DE MONTAJE

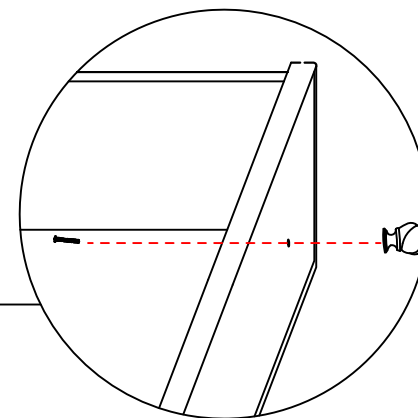
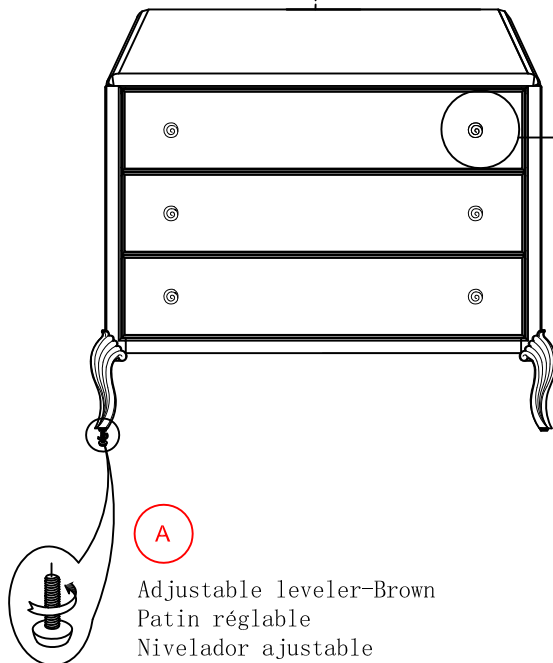
ITEM NO. / ARTICLE NO. / ARTICULO NO : P301016

DESCRIPTION/LA DESCRIPCION/DESCRIPCIÓN :Three Drawer Chest/Commode à tiroirs/Cómoda

WARNING	
	<p>Children have died from furniture tipover. To reduce the risk of furniture tipover:</p> <ul style="list-style-type: none">• ALWAYS install tipover restraint provided.• NEVER put a TV on this product.• NEVER allow children to stand, climb or hang on drawers, doors, or shelves.• NEVER open more than one drawer at a time.• Place heaviest items in the lowest drawers. <p><i>This is a permanent label. Do not remove!</i></p>
	

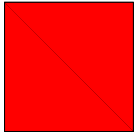


Anti-Tipping/ Liste des pièces de quincaillerie antibasculement/
Lista del kit de materiales antivuelco



Please take out the knob at inside of drawer to setup when use

* Replaceable Part



REPLACEABLE PART/ PARTIE REMPLACABLE/ PARTE REEMPLAZABLE

ITEM NO. / ARTICLE NO. / ARTICULO NO : P301016

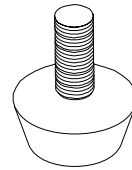
DESCRIPTION/LA DESCRIPCION/DESCRIPCIÓN :Three Drawer Chest/Commode à tiroirs/Cómoda

WARNING

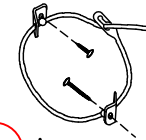
Children have died from furniture tipover. To reduce the risk of furniture tipover:

- ALWAYS install tipover restraint provided.
- NEVER put a TV on this product.
- NEVER allow children to stand, climb or hang on drawers, doors, or shelves.
- NEVER open more than one drawer at a time.
- Place heaviest items in the lowest drawers.

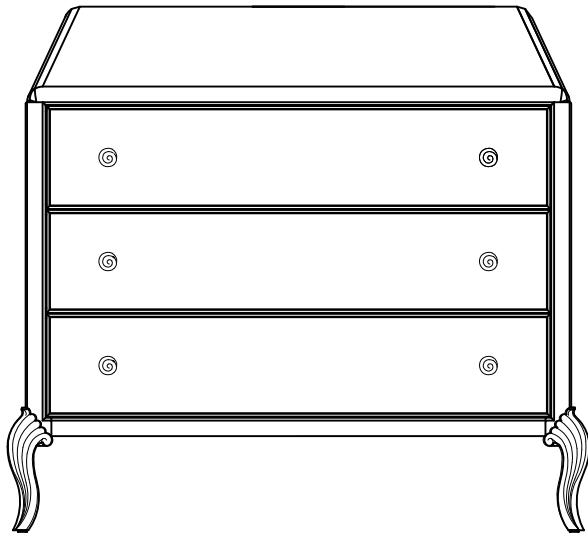
This is a permanent label. Do not remove!



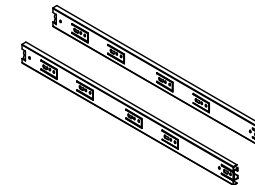
- A** * RC-FG-BROWN
 x4 Adjustable leveler-Brown
 x4 Patin réglable
 x4 Nivelador ajustable



- B** * RC-ANTI-TIP
 x1 Tipping restraint
 x1 Liste des pièces de quincaillerie antibasculement
 x1 Abrazadera antivuelco



- RP301016-KNOB
 * x6 Pull with screw
 x6 Tirer et vis
 x6 Tire y Tornillo



- COMGLIDE-14-45
 * x3 Drawer Glide 14"L x 45mmW
 x3 Glissière
 x3 Carril de deslizamiento

* Replaceable Part