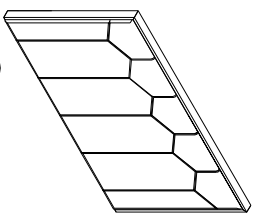
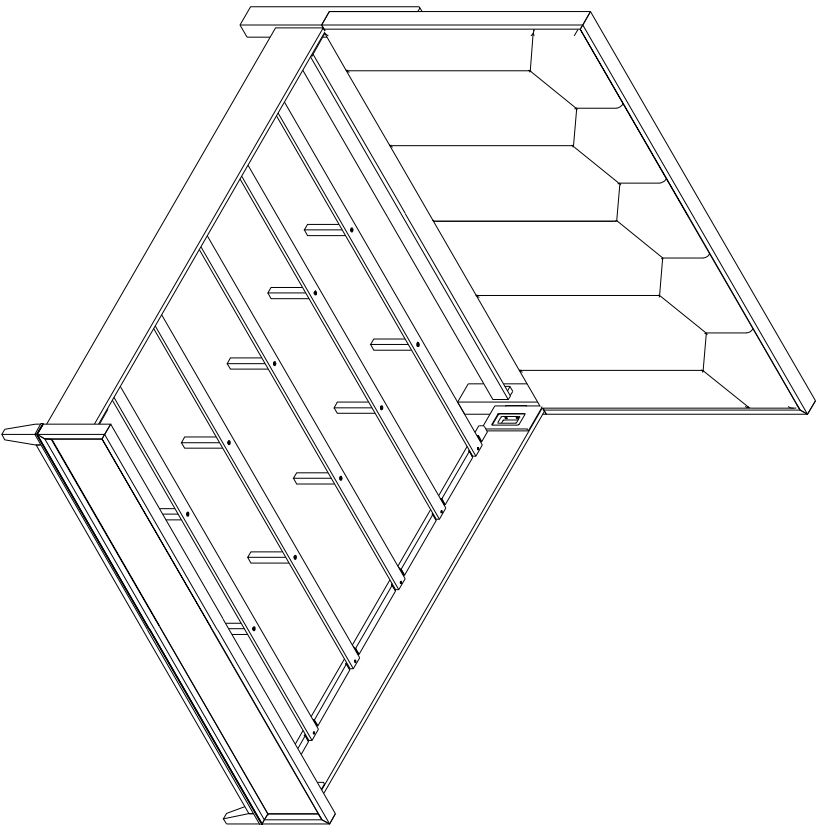
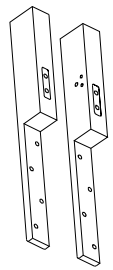


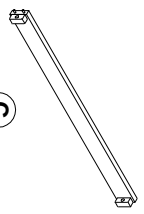
PARTS LIST / LISTE DES PIÈCES / LISTA DE PIEZAS
 ITEM NO. / NO D'ARTICLE / ARTICULO NO. : P375180/181/172
 DESCRIPTION / LA DESCRIPTION / DESCRIPCIÓN: KING BED / TRÈS GRAND LIT/CAMA TAMAÑO KING



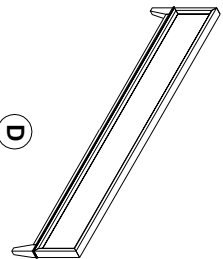
- (A)**
- x1 Headboard panel
 - x1 Tête de lit
 - x1 Panel de la cabecera



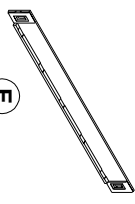
- (B)**
- x1 Headboard Legs (Left & Right) *
 - x1 Pattes de la tête de lit (gauche et droite)
 - x1 Patas de cabecera (izquierda y derecha)



- (C)**
- x1 Safety Rail *
 - x1 Garde-corps
 - x1 Baranda de seguridad



- (D)**
- x1 Footboard Panel
 - x1 Pied de lit
 - x1 Panel de pie de cama



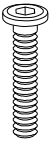
- (E)**
- x2 Side Rail
 - x2 Traverse
 - x2 Travesaño lateral



- (F)**
- x5 Slat *
 - x5 Lattes
 - x5 Listón



- (G)**
- x10 Center leg *
 - x10 Pattes centrales
 - x10 Patas centrales



- (H)**
- x10 Allen bolt $\phi 5/16$ "x45mm *
 - x10 Vis à tête creuse hexagonale $\phi 5/16$ "x45mm
 - x10 Perno Allen $\phi 5/16$ "x45mm



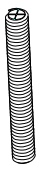
- (I)**
- x18 Lock washer $\phi 5/16$ " *
 - x18 Rondelle de blocage $\phi 5/16$ "
 - x18 Arandela de Seguridad $\phi 5/16$ "



- (J)**
- x10 Flat Washer $\phi 5/16$ "x19x2mm *
 - x10 Rondelle plate $\phi 5/16$ "x19x2mm
 - x10 Arandela plana $\phi 5/16$ "x19x2mm



- (K)**
- x1 Allen Key 5mm *
 - x1 Clé hexagonale 5mm
 - x1 Llave Allen5mm



- (L)**
- x8 Hanger Bolt $\phi 5/16$ "x88mm *
 - x8 Boulon-vis $\phi 5/16$ "x88mm
 - x8 Perno de suspensión $\phi 5/16$ "x88mm



- (M)**
- x8 Flat Washer $\phi 5/16$ "x16x2mm *
 - x8 Rondelle plate $\phi 5/16$ "x16x2mm
 - x8 Arandela plana $\phi 5/16$ "x16x2mm



- (N)**
- x8 Hex nut $\phi 5/16$ " *
 - x8 Ecrou hexagonal $\phi 5/16$ "
 - x8 Tuerca hexagona $\phi 5/16$ "

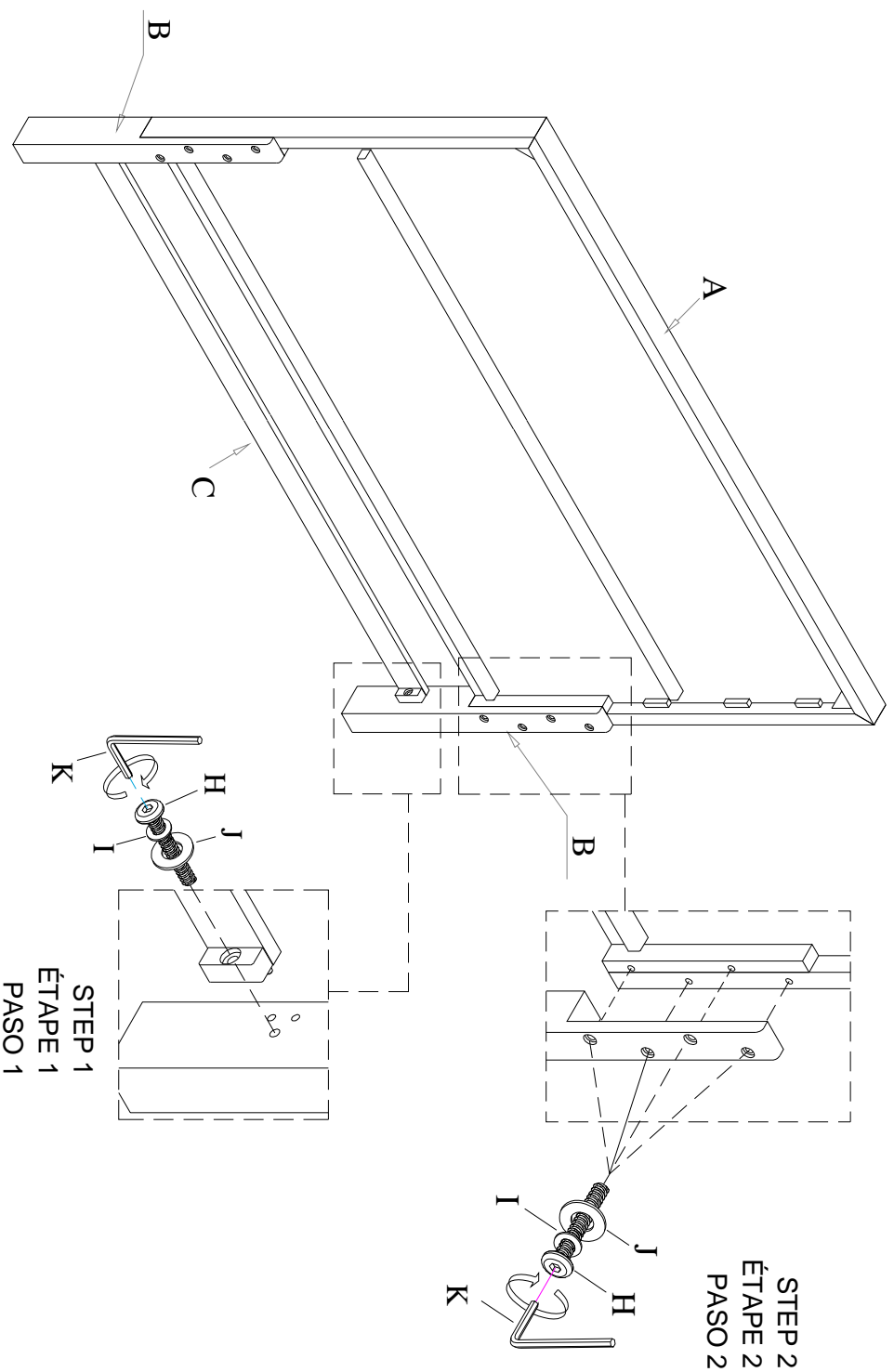


- (P)**
- x1 Open Wrench $\phi 5/16$ " *
 - x1 Clé à fourche $\phi 5/16$ "
 - x1 Llave de boca $\phi 5/16$ "

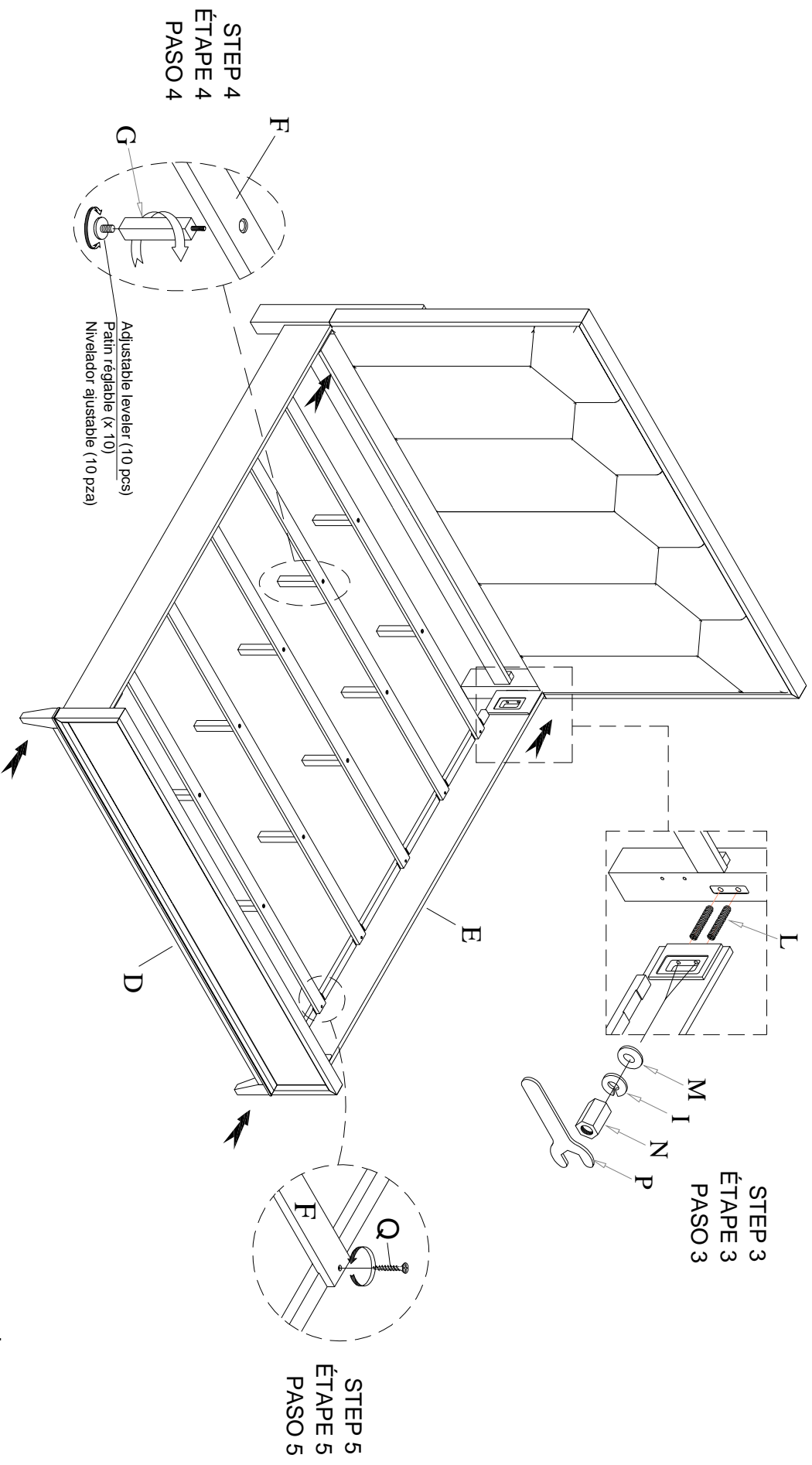


- (Q)**
- x10 Wood Screw #8x25mm *
 - x10 Vis à bois #8x25mm
 - x10 Tornillo para madera #8x25mm

* Replaceable Part

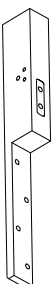
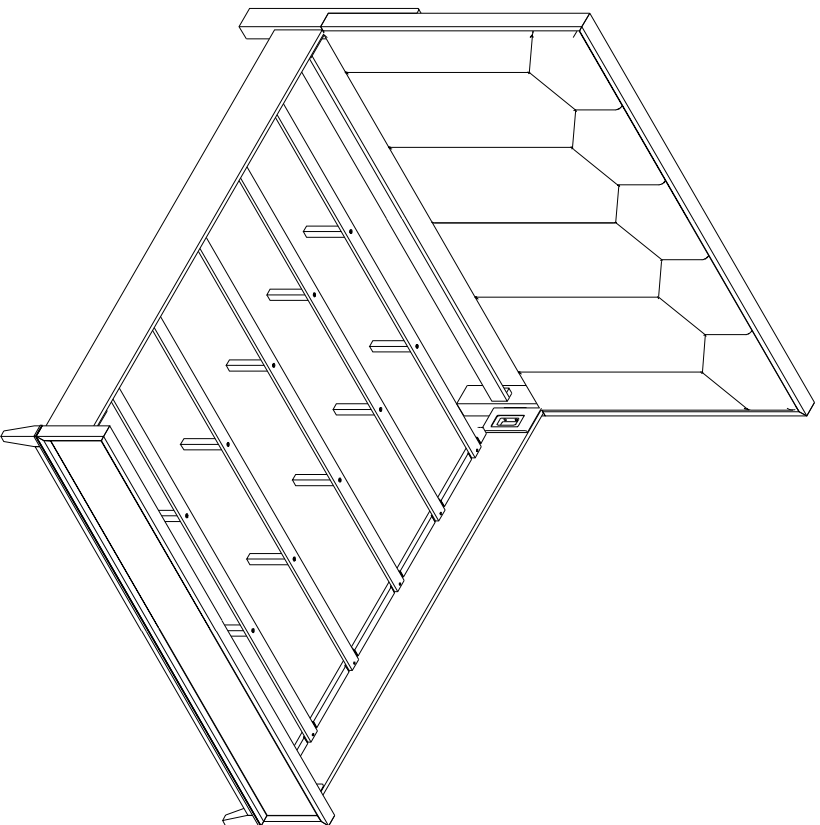


* Replaceable Part

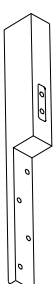


* Replaceable Part

REPLACEABLE PART / PARTIE REMPLAÇABLE / PARTE REEMPLAZABLE
 ITEM NO. / NO D'ARTICLE / ARTICULO NO. : P375180/181/172
 DESCRIPTION / LA DESCRIPTION / DESCRIPCIÓN: KING BED/ TRÈS GRAND LIT/CAMA TAMAÑO KING



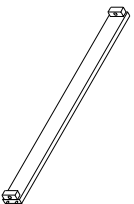
x1 RP375180-LEGL-Left Leg
 Patte de gauche
 Pata izquierda



x1 RP375180-LEGR-Right Leg
 Patte de droite
 Pata derecha



x1 RP375180-HWKIT-Hardware Kit
 Liste des pièces de quincaillerie
 Lista del kit de materiales



x1 RP375180-STRET-Stretcher
 Traverse
 Travesaño



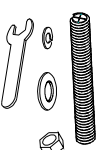
x5 RP375181-SLAT-Slat
 Lattes
 Listones



x10 RP375181-SULEG-Slat Support Leg
 Pattes centrales
 Patas centrales



x10 RP375181-SCREW-Screw
 Vis à bois
 Tornillo para madera



x1 RP375172-HWKIT-Hardware
 Liste des pièces de quincaillerie
 Lista del kit de materiales



x10 RC-FG-WHITE-White Leveler
 Patin réglable
 Nivelador

*** Replaceable Part**

Protect Your Wood or Laminate Flooring

* This statement applies to any floor without carpet.

If not careful, all furniture including upholstery and case pieces can scratch, scuff and even gouge floors. The recommendation is to have felt, rubber pads or area rugs under furniture on flooring without carpet.

Moving your furniture

Pushing and dragging furniture over floor without carpet can lead to scratches and scuffs. Have someone help when moving the larger pieces of furniture by lifting, try using a dolly or moving pads.

Felt and rubber pads

Applying furniture pads to the feet of furniture helps cushion contact points. Furniture pads can be found at local hardware stores. Felt pads slide easily across the floor, making them ideal for dining chairs and other pieces that move with use. Rubber pads will help furniture stay in place and are perfect for larger pieces, like sofas and loveseats.

Area rugs and rug pads

Using an are rug under furniture is another way to protect your floor from scratches and scuff marks. A rug pad under the area rug will provide extra cushion and added protection.

* *Reproachable Part*