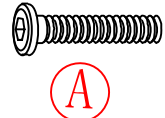


X1 Mirror support
X1 Supporte de miroir
X1 Soporte del espejo



x5 Bolt 1/4*40mm
x5 Boulon
x5 Perno



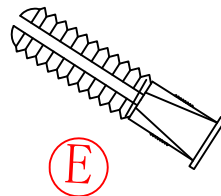
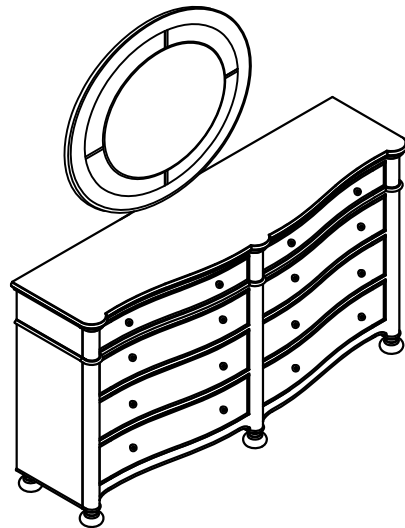
x5 Lock washer 1/4*6mm
x5 Rondelle de blocage
x5 Arandela de Seguridad



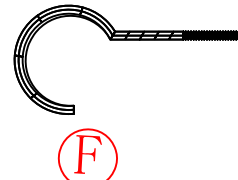
x5 Flat Washer 1/4*22mm
x5 Rondelle plate
x5 Arandela plana



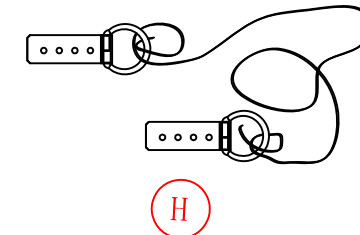
x1 Allen Wrench 69*27. 2*4mm
x1 Clé hexagonale
x1 Llave Allen



x2 Plastic Anchor
x2 Fixation en plastique
x2 Anclaje de plástico

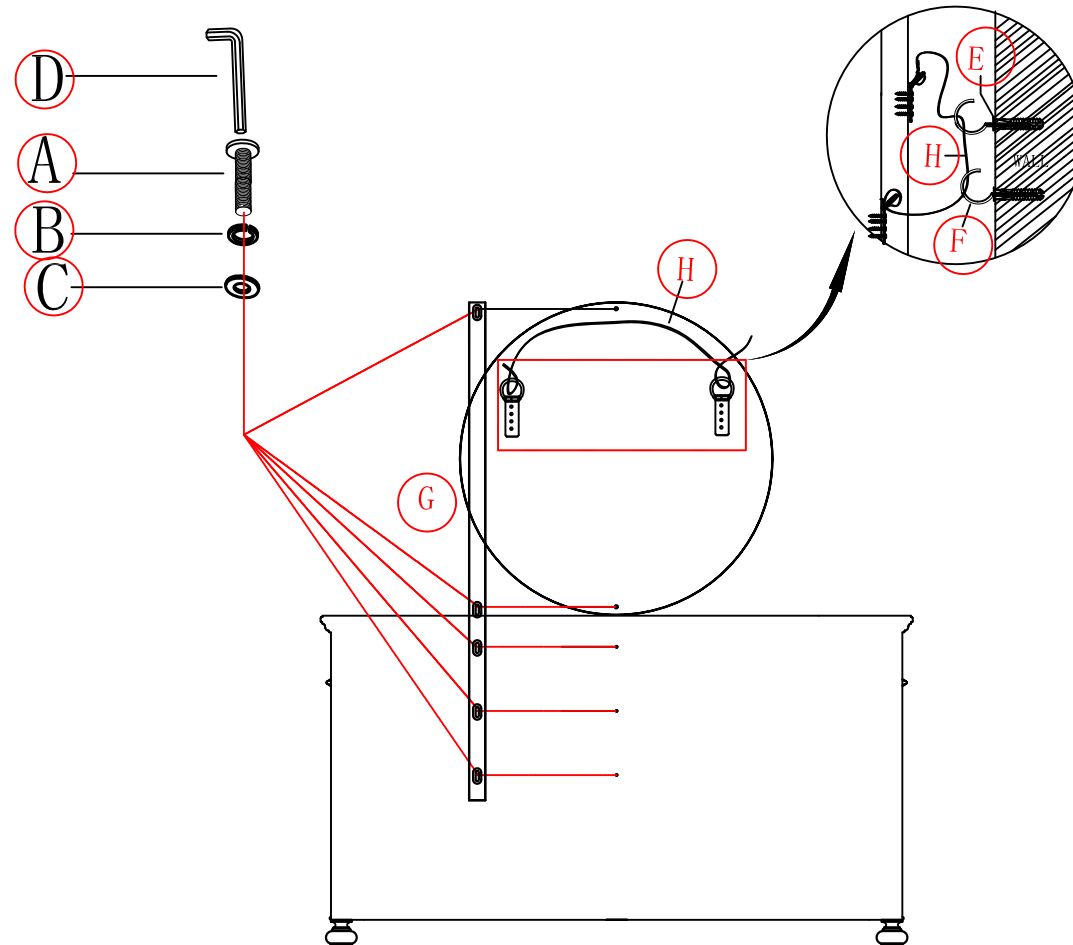


X2 Hook
X2 Crochet
X2 Gancho

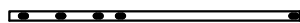


X1 Metal Plate
X1 Plaque de métal
X1 Placa de metal

* Replaceable Part



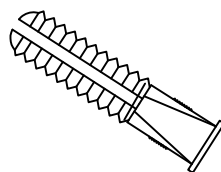
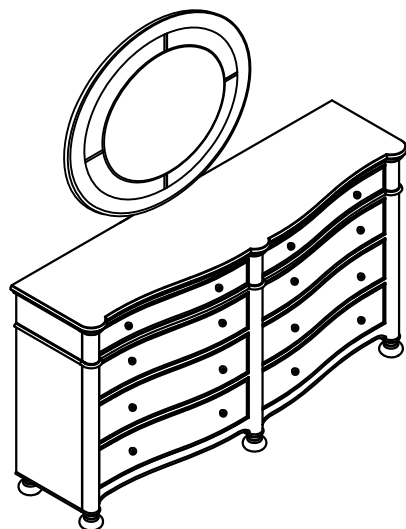
* Replaceable Part



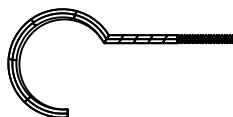
RP349111-MISU *
X1 Mirror support
X1 Supporte de miroir
X1 Soporte del espejo



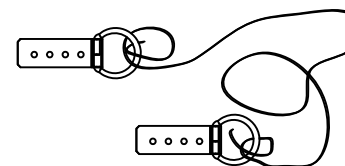
RP349111-HWKIT *
x1 Hardware Kit
x1 Liste des pièces de quincaillerie
x1 Lista del materiales



RP349111-ANCHOR *
x2 Plastic Anchor
x2 Fixation en plastique
x2 Anclaje de plástico



RP349111-HOOK *
X2 Hook
X2 Crochet
X2 Gancho



RP349111-PLATE *
X1 Metal Plate
X1 Plaque de métal
X1 Placa de metal

* Replaceable Part

Protect Your Wood or Laminate Flooring

*This statement applies to any floor without carpet.

If not careful, all furniture including upholstery and case pieces can scratch, scuff and even gouge floors. The recommendation is to have felt, rubber pads or area rugs under furniture on flooring without carpet.

Moving your furniture

Pushing and dragging furniture over floors without carpet can lead to scratches and scuffs. Have someone help when moving the larger pieces of furniture by lifting, try using a dolly or moving pads.

Felt and rubber pads

Applying furniture pads to the feet of furniture helps cushion contact points. Furniture pads can be found at local hardware stores. Felt pads slide easily across the floor, making them ideal for dining chairs and other pieces that move with use. Rubber pads will help furniture stay in place and are perfect for larger pieces, like sofas and loveseats.

Area rugs and rug pads

Using an area rug under furniture is another way to protect your floor from scratches and scuff marks. A rug pad under the area rug will provide extra cushion and added protection.