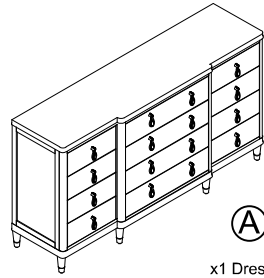
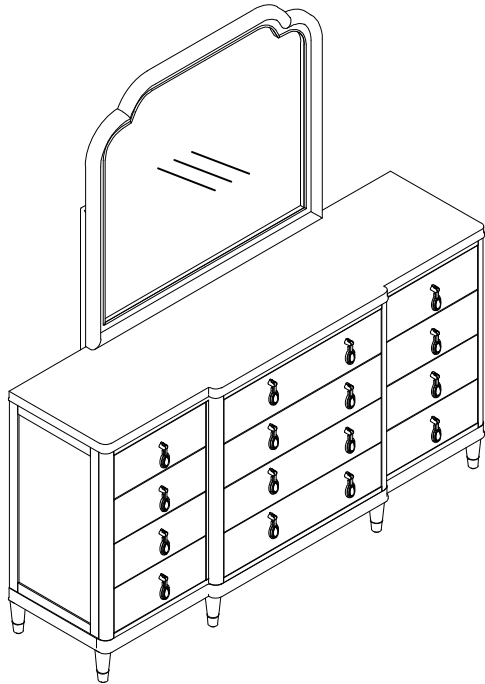


⚠ WARNING

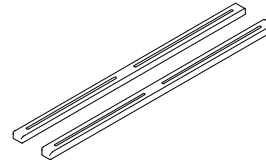
Children have died from furniture tipover. To reduce the risk of furniture tipover:

- ALWAYS install tipover restraint provided.
- NEVER put a TV on this product.
- NEVER allow children to stand, climb or hang on drawers, doors, or shelves.
- NEVER open more than one drawer at a time.
- Place heaviest items in the lowest drawers.

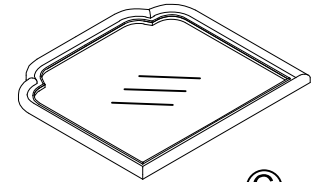
This is a permanent label. Do not remove!



(A)
x1 Dresser
x1 Commode
x1 Tocador



(B)
x2 Mirror Support *
x2 Supporte de miroir
x2 Soporte del espejo



(C)
x1 Mirror
x1 Miroir
x1 Espejo



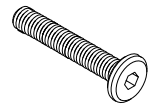
(1) *
x1 Allen Key 4mm
x1 Clé hexagonale 4mm
x1 Llave Allen 4mm



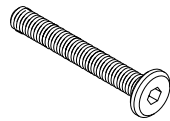
(2) *
x8 Lock washer Ø1/4"
x8 Rondelle de blocage Ø1/4"
x8 Arandela de Seguridad Ø1/4"



(3) *
x8 Flat Washer Ø1/4"
x8 Rondelle plate Ø1/4"
x8 Arandela plana Ø1/4"



(4) *
x4 Allen bolt Ø1/4xL38mm(Ø15)
x4 Vis à tête creuse hexagonale Ø1/4"x38mm
x4 Perno Allen Ø1/4"x38mm



(5) *
x4 Allen bolt Ø1/4xL57mm(Ø13)
x4 Vis à tête creuse hexagonale Ø1/4xL57mm
x4 Perno Allen Ø1/4xL57mm

* Replaceable Part

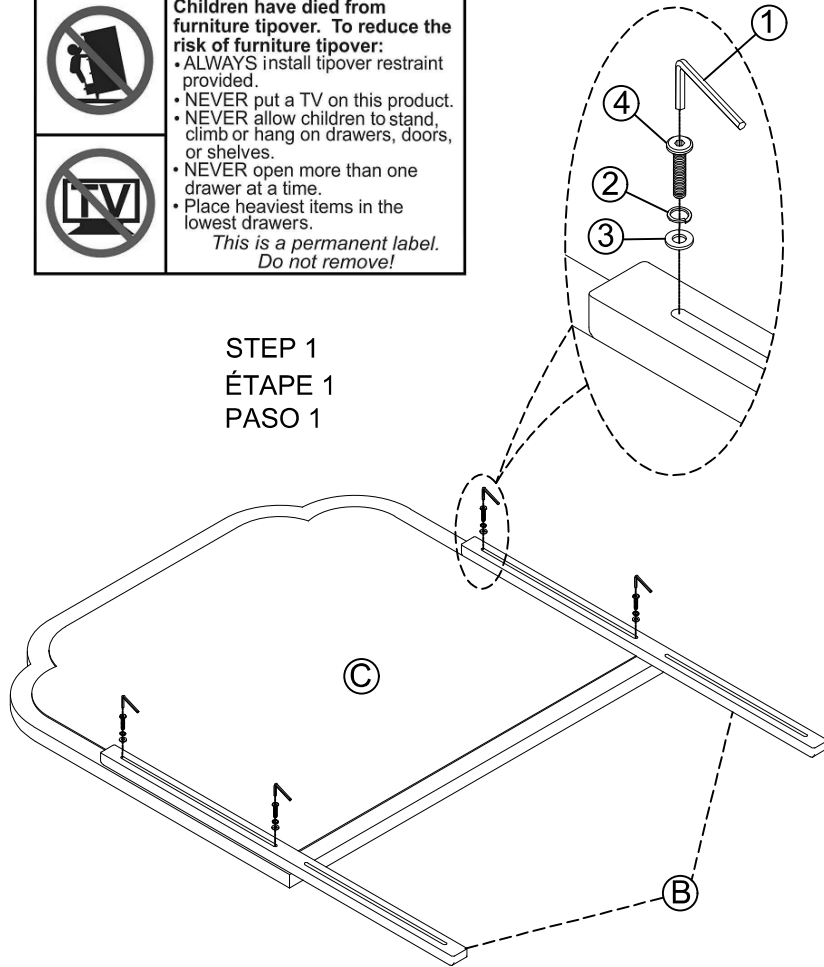
WARNING

Children have died from furniture tipover. To reduce the risk of furniture tipover:

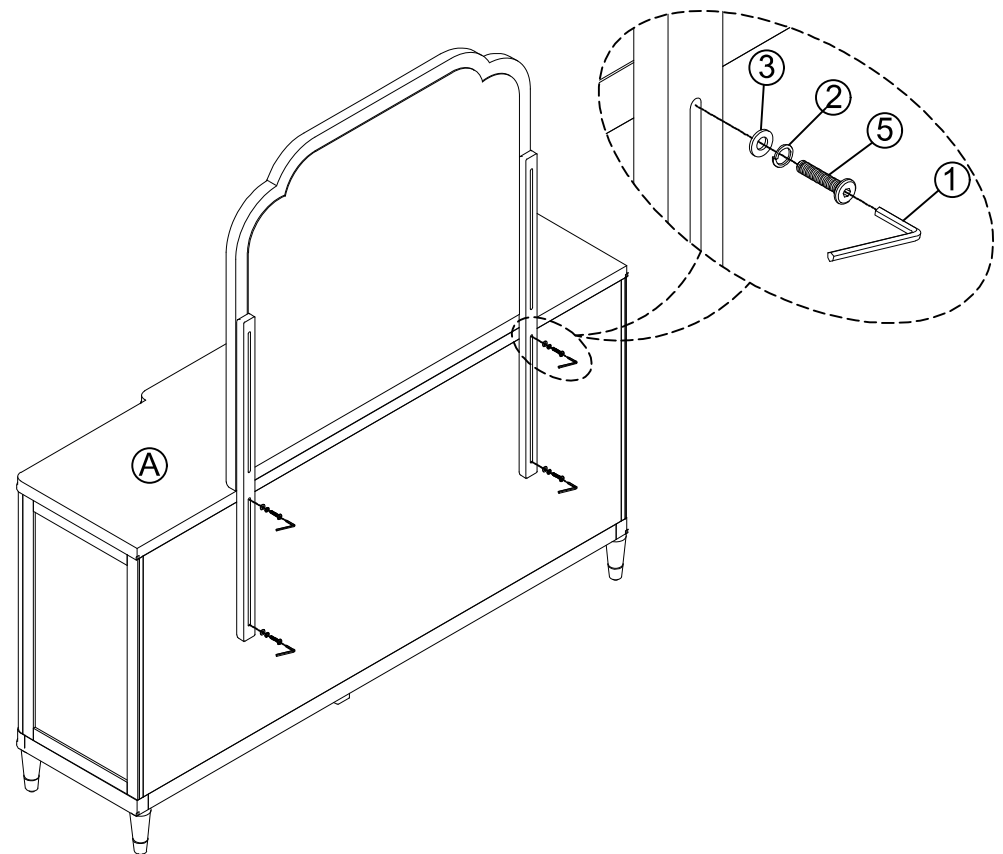
- ALWAYS install tipover restraint provided.
- NEVER put a TV on this product.
- NEVER allow children to stand, climb or hang on drawers, doors, or shelves.
- NEVER open more than one drawer at a time.
- Place heaviest items in the lowest drawers.

This is a permanent label. Do not remove!

STEP 1
ÉTAPE 1
PASO 1



STEP 2
ÉTAPE 2
PASO 2



WARNING

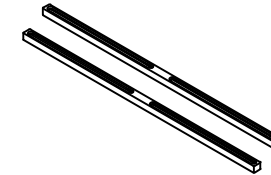
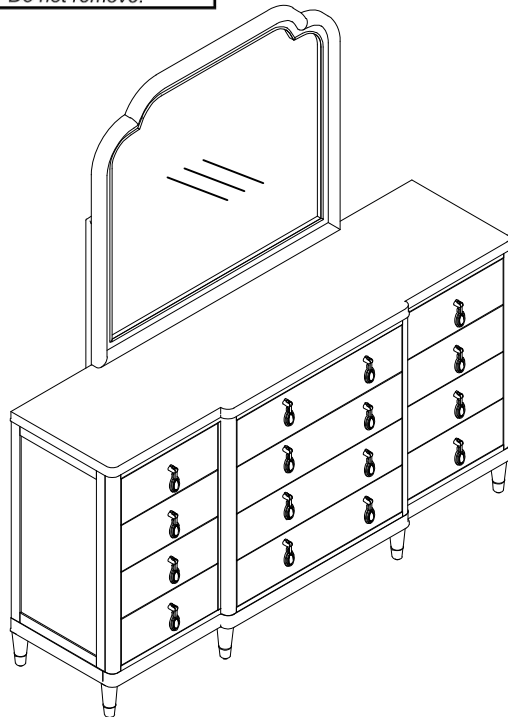


Children have died from furniture tipover. To reduce the risk of furniture tipover:

- ALWAYS install tipover restraint provided.
- NEVER put a TV on this product.
- NEVER allow children to stand, climb or hang on drawers, doors, or shelves.
- NEVER open more than one drawer at a time.
- Place heaviest items in the lowest drawers.



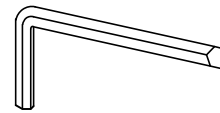
*This is a permanent label.
Do not remove!*



x2 RP377-110-MISU - Mirror Support
- Supporte de miroir
- Soporte del espejo

Combine 3 images to 1 one set x1 RP377110-HWKIT- Hardware kit list
- Liste des pièces de quincaillerie
- Lista del kit de materiales

x1 RP377110 Allen Key 4mm



x1 Allen bolt Ø1/4xL38mm(Ø15)
RP377110-HWKIT-Hardware kit list



x1 Allen bolt Ø1/4xL57mm(Ø13)
RP377110-HWKIT-Hardware kit list



Protect Your Wood or Laminate Flooring

*This statement applies to any floor without carpet.

If not careful, all furniture including upholstery and case pieces can scratch, scuff and even gouge floors. The recommendation is to have felt, rubber pads or area rugs under furniture on flooring without carpet.

Moving your furniture

Pushing and dragging furniture over floors without carpet can lead to scratches and scuffs. Have someone help when moving the larger pieces of furniture by lifting, try using a dolly or moving pads.

Felt and rubber pads

Applying furniture pads to the feet of furniture helps cushion contact points. Furniture pads can be found at local hardware stores. Felt pads slide easily across the floor, making them ideal for dining chairs and other pieces that move with use. Rubber pads will help furniture stay in place and are perfect for larger pieces, like sofas and loveseats.

Area rugs and rug pads

Using an area rug under furniture is another way to protect your floor from scratches and scuff marks. A rug pad under the area rug will provide extra cushion and added protection.