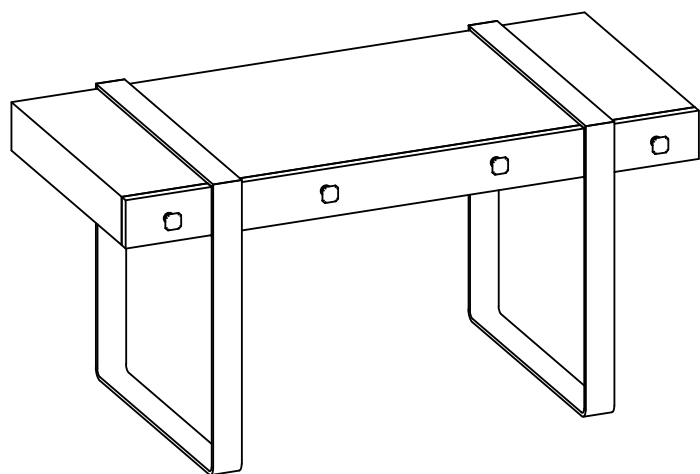
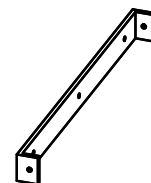


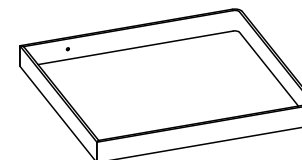
PARTS LIST / LISTE DES PIÈCES / LISTA DE PIEZAS
ITEM NO. / ARTICLE NO. / ARTICULO NO : P301029
DESCRIPTION / DESCRIPCIÓN : DESK / BUREAU / ESCRITORIO



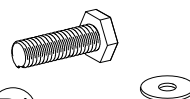
(A)
x1 DESK
x1 BUREAU
x1 ESCRITORIO



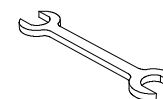
(B*)
x2 Metal Bar
x2 Barre de métal
x2 Barra de metal



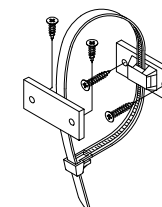
(C*)
x2 Metal Leg
x2 Jambe en métal
x2 Pata Metálica



(D*)
x10 Bolt with Washer *
x10 Boulon Avec Rondelle
x10 Perno con arandela



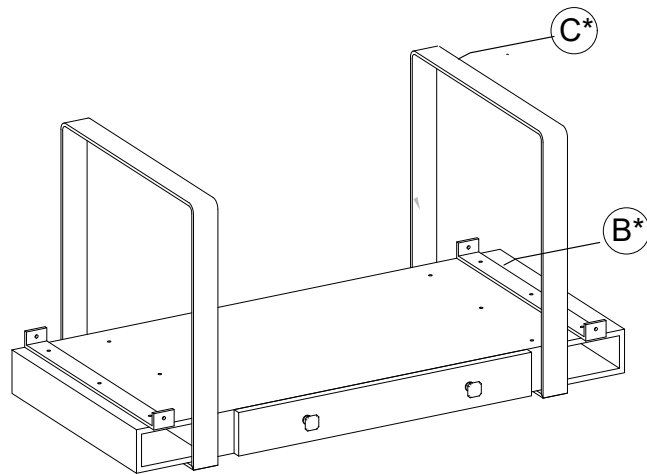
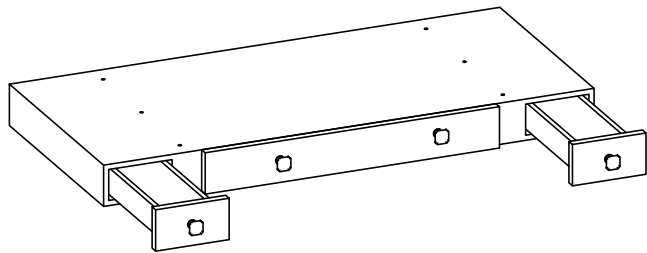
(E*)
x1 Spanner *
Clé
Llave



(F*)
x2 Furniture Tipping Restraint
x2 Systeme antibasculement
x2 Control para evitar vulcos

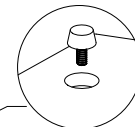
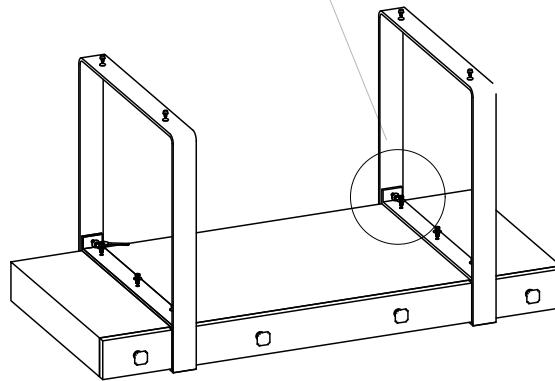
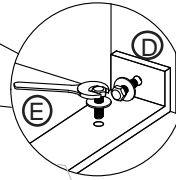
* Replaceable Part

ASSEMBLY INSTRUCTIONS / INSTRUCTIONS DE MONTAGE / INSTRUCCIONES DE MONTAJE
ITEM NO. / ARTICLE NO. / ARTICULO NO : P301029
DESCRIPTION / DESCRIPCIÓN : DESK / BUREAU / ESCRITORIO

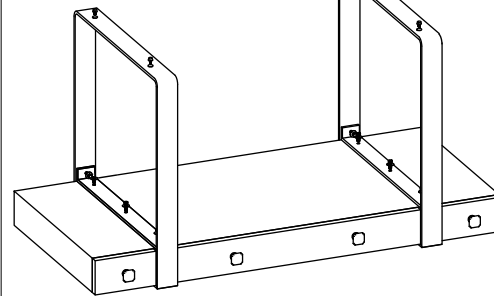


(D) Bolt with Washer (10 pcs.)*
 Boulon Avec Rondelle (x10)
 Perno con arandela (x10)

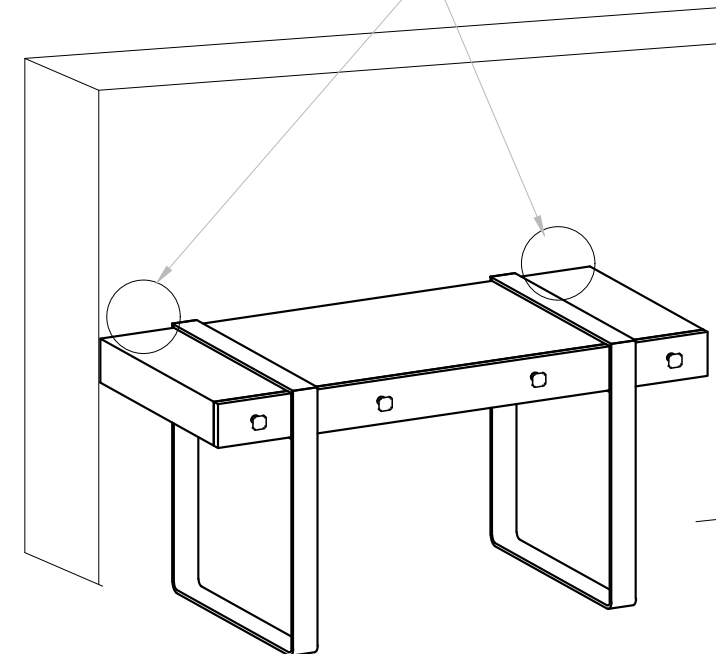
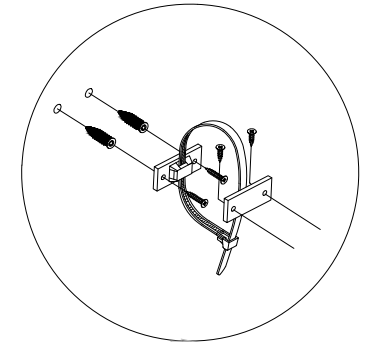
(E) Spanner (1 pc.)*
 Clé (x1)
 Llave (x1)



RC-FC-Black Leveler (4 pcs.)*
 Niveleur réglable (x4)
 Nivelador ajustable (x4)

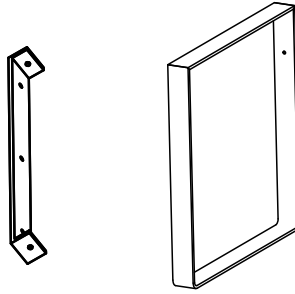
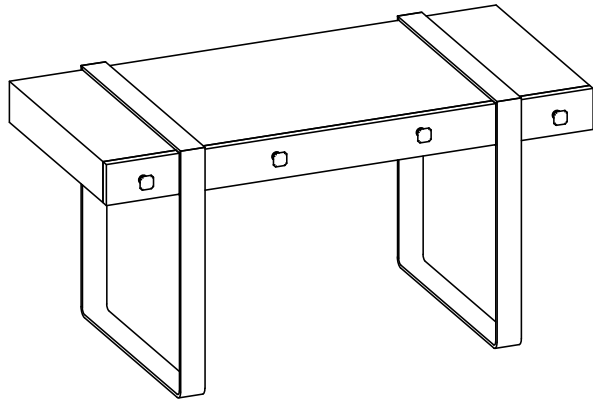


(F) Wall
 Mur
 Pared*

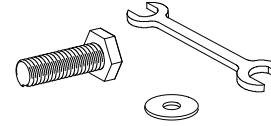


* Replaceable Part

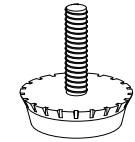
REPLACEABLE PART / PARTIE REMPLAÇABLE / PARTE REEMPLAZABLE
ITEM NO. / ARTICLE NO. / ARTICULO NO : P301029
DESCRIPTION / DESCRIPCIÓN : DESK / BUREAU / ESCRITORIO



x2 RP301029-METAL BASE*
x2 Metal Base
Base de métal
Base Metálica



x10 RP301029-HARDWARE KIT*
x10 HARDWARE KIT
QUINCAILLERIE
JUEGO DE HERRAMIENTAS



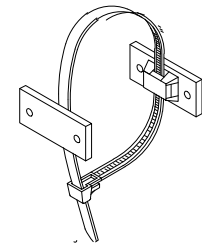
x4 RC-FG-BlackLeveler*
x4 Leveler
Niveleur
Nivelador



x4 RP301029-CHANNEL*
x4 Channel
Canal
Canal



x4 RP301029-KNOB*
x4 Knob with Screw
Poignée et vis
Tirador y Tornillo



x2 RC-ANTI-TIP*
x2 Anti-tipping Restraint
Liste des pièces de quincaillerie
antibasculment
Lista del kit de materiales antivuelco

* Replaceable Part

Protect Your Wood or Laminate Flooring

*This statement applies to any floor without carpet.

If not careful, all furniture including upholstery and case pieces can scratch, scuff and even gouge floors. The recommendation is to have felt, rubber pads or area rugs under furniture on flooring without carpet.

Moving your furniture

Pushing and dragging furniture over floors without carpet can lead to scratches and scuffs. Have someone help when moving the larger pieces of furniture by lifting, try using a dolly or moving pads.

Felt and rubber pads

Applying furniture pads to the feet of furniture helps cushion contact points. Furniture pads can be found at local hardware stores. Felt pads slide easily across the floor, making them ideal for dining chairs and other pieces that move with use. Rubber pads will help furniture stay in place and are perfect for larger pieces, like sofas and loveseats.

Area rugs and rug pads

Using an area rug under furniture is another way to protect your floor from scratches and scuff marks. A rug pad under the area rug will provide extra cushion and added protection.