



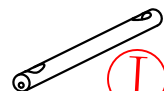
(G)

x4 Side leg *
x4 Patte
x4 Pata



(H)

x2 Center leg *
x2 Pattes centrales
x2 Patas centrales



(I)

x3 Side bottom stretcher *
x3 Traverse
x3 Travesaño



(J)

x4 Front & back bottom stretcher *
x4 Traverse
x4 Travesaño



(A)

x8 Bolt 5/16*60mm *
x8 Boulon
x8 Perno



(B)

x12 Lock washer 5/16 *
x12 Rondelle de blocage
x12 Arandela de Seguridad



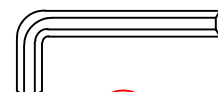
(C)

x12 Flat Washer 5/16*16mm *
x12 Rondelle plate
x12 Arandela plana



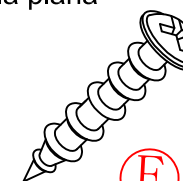
(E)

x4 Bolt 5/16*50mm *
x4 Boulon
x4 Perno



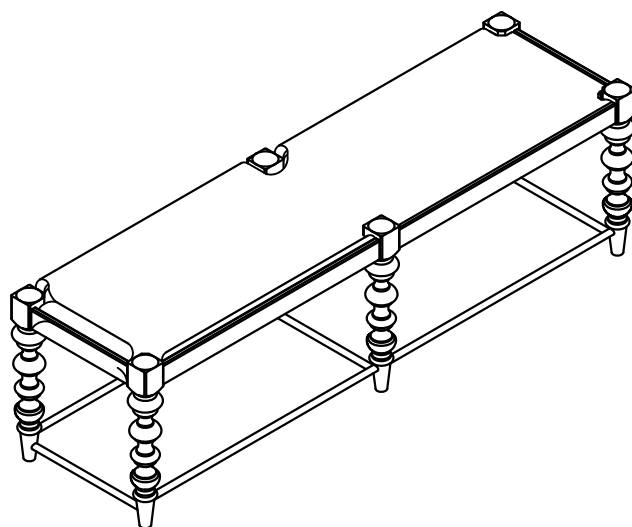
(D)

x1 Allen Wrench 73*29*5mm *
x1 Clé hexagonale
x1 Llave Allen



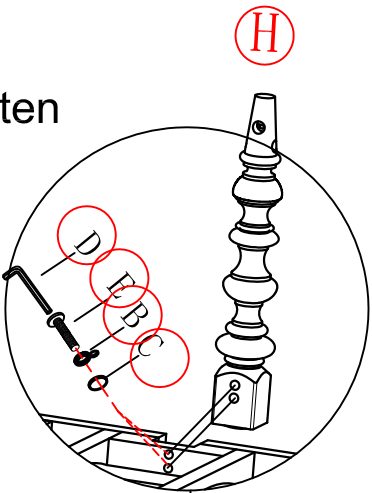
(F)

x14 Screw *
x14 Vis à bois
x14 Tornillo para madera

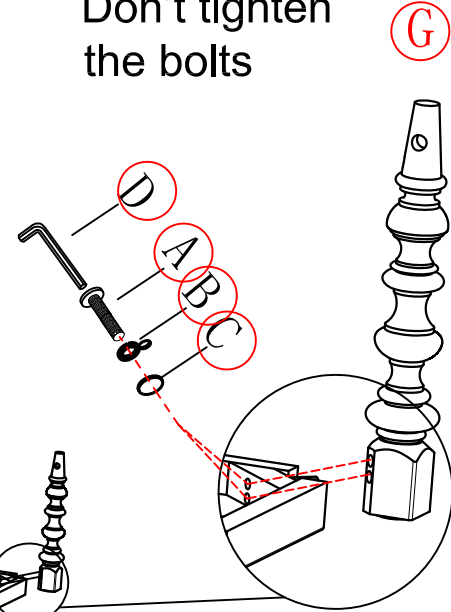


* Replaceable Part

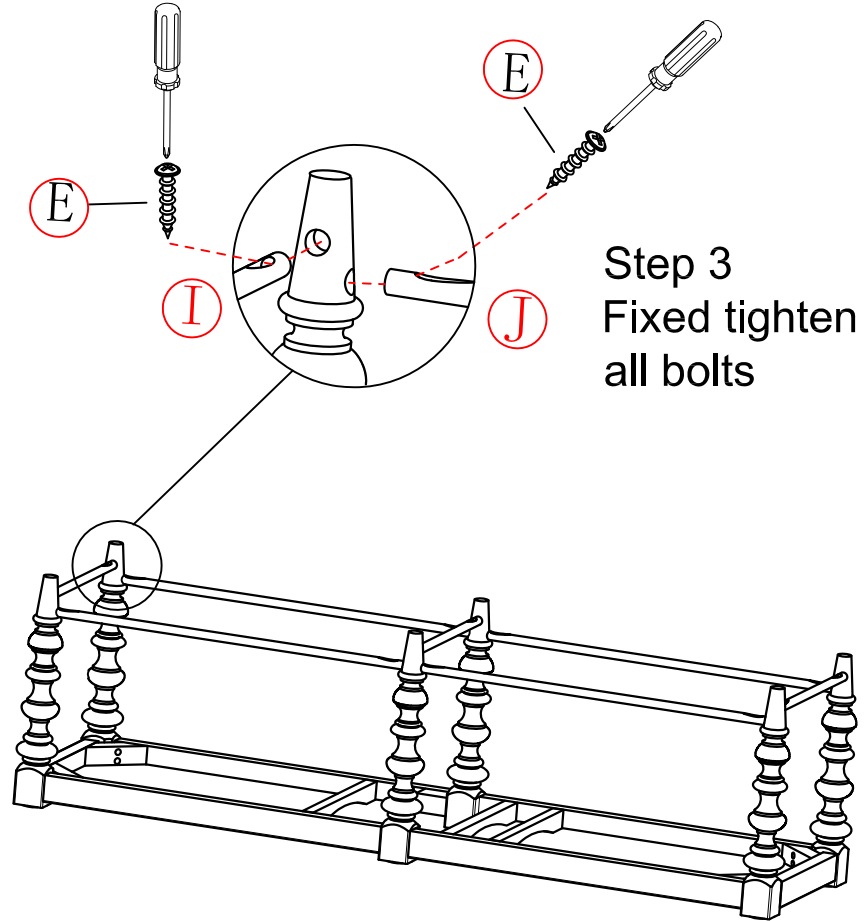
Step 2
 Don't tighten
 the bolts



Step 1
 Don't tighten
 the bolts



Step 3
 Fixed tighten
 all bolts



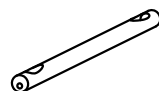
* Replaceable Part



RP348132-SLEG *
x4 Side leg
x4 Patte
x4 Pata



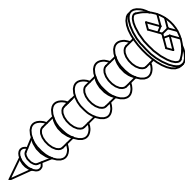
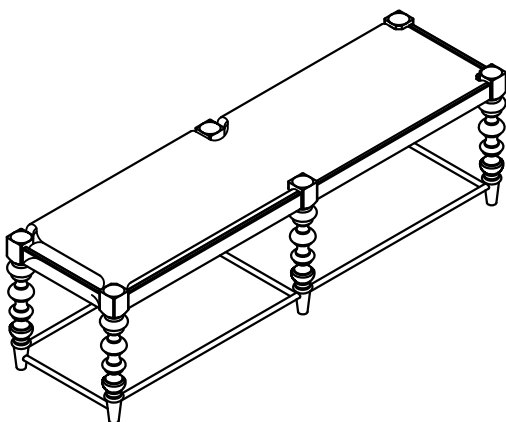
RP348132-CELEG *
x2 Center leg
x2 Pattes centrales
x2 Patas centrales



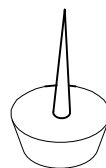
RP348132-SOSTRE *
x3 Side bottom stretcher
x3 Traverse
x3 Travesaño



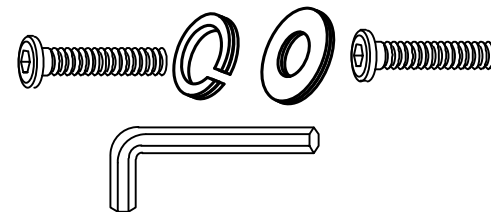
RP348132-FBOSTRE *
x4 Front &back bottom stretcher
x4 Traverse
x4 Travesaño



RP348132-SCREW *
x14 Screw
x14 Vis à bois
x14 Tornillo para madera



RC-BR-NAIL *
x6 Plastic Nail
x6 Clou en plastique
x6 Clavo de plástico



RP348132-HWKIT *
x1 Hardware Kit
x1 Liste des pièces de quincaillerie
x1 Lista del materiales

* Replaceable Part

Protect Your Wood or Laminate Flooring

*This statement applies to any floor without carpet.

If not careful, all furniture including upholstery and case pieces can scratch, scuff and even gouge floors. The recommendation is to have felt, rubber pads or area rugs under furniture on flooring without carpet.

Moving your furniture

Pushing and dragging furniture over floors without carpet can lead to scratches and scuffs. Have someone help when moving the larger pieces of furniture by lifting, try using a dolly or moving pads.

Felt and rubber pads

Applying furniture pads to the feet of furniture helps cushion contact points. Furniture pads can be found at local hardware stores. Felt pads slide easily across the floor, making them ideal for dining chairs and other pieces that move with use. Rubber pads will help furniture stay in place and are perfect for larger pieces, like sofas and loveseats.

Area rugs and rug pads

Using an area rug under furniture is another way to protect your floor from scratches and scuff marks. A rug pad under the area rug will provide extra cushion and added protection.