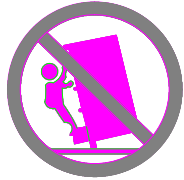




PARTS LIST / LISTE DES PIÈCES / LISTA DE PIEZAS  
 ITEM NO. / ARTICLE NO. / ARTICULO NO. : 6715  
 DESCRIPTION / DESCRIPCIÓN : CONSOLE / CONSOLE / CONSOLA

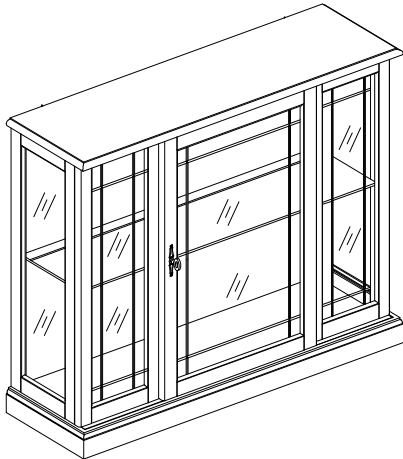
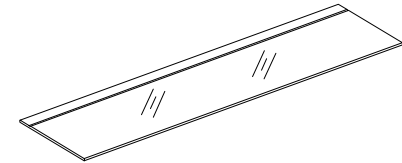
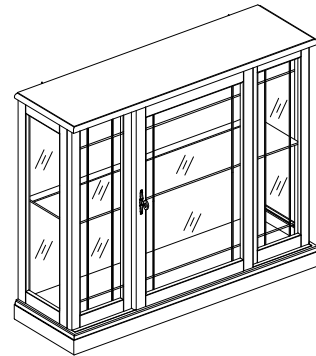
**WARNING**



**Serious or fatal crushing injuries can occur from furniture tip-over. To help prevent tip-over:**

- install tipover restraint provided.
- Place heaviest items in the lowest drawers.
- Do not set TV's or other heavy objects on top of this product unless the product is specifically designed to accommodate them.
- Never allow children to climb or hang on drawers, doors, or shelves.
- Never open more than one drawers at a time (OR)
- Do not defeat or remove the drawers interlock system.

**Use of tip-over restraints may only reduce, but not eliminate, the risk of tip-over. this is a permanent label. Do not remove!**



**A**

- x1 Console
- x1 Console
- x1 Consola

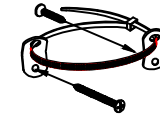
**B**

- x1 Glass shelf \*
- x1 Étagère en verre
- x1 Estante de vidrio



**C**

- x4 Common Shelf Support \*
- x4 Supports Pour Tablette
- x4 Soporte De Las Repisas



**D**

- x1 Furniture Tipping Restraint
- x1 Systeme antibasculement
- x1 Control para evitar vulcos

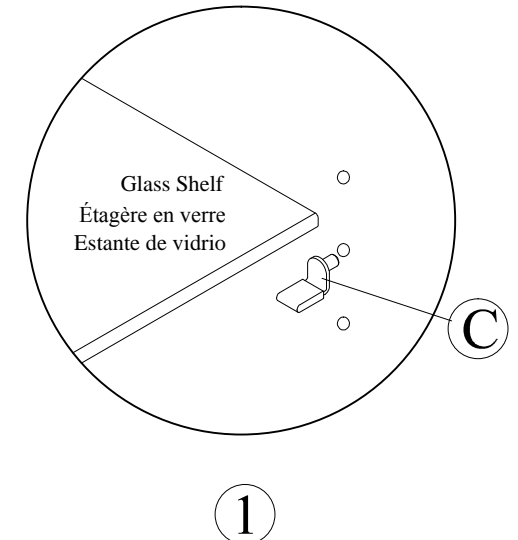
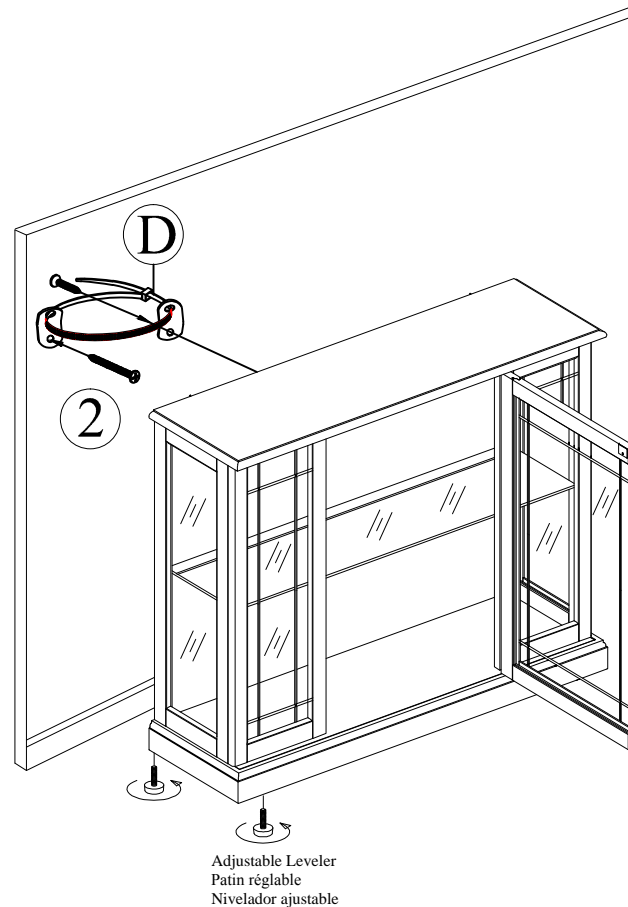
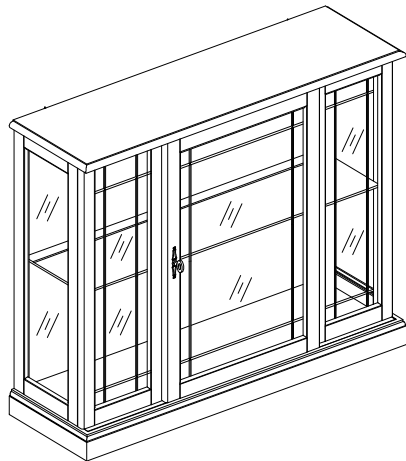
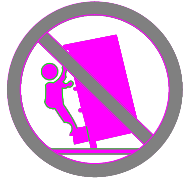
\* Replaceable Part

 **WARNING**

Serious or fatal crushing injuries can occur from furniture tip-over. To help prevent tip-over:

- install tipover restraint provided.
- Place heaviest items in the lowest drawers.
- Do not set TV's or other heavy objects on top of this product unless the product is specifically designed to accommodate them.
- Never allow children to climb or hang on drawers, doors, or shelves.
- Never open more than one drawers at a time (OR)
- Do not defeat or remove the drawers interlock system.

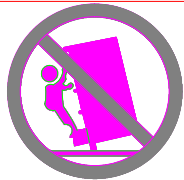
Use of tip-over restraints may only reduce, but not eliminate, the risk of tip-over. This is a permanent label. Do not remove!





REPLACEABLE PART / PARTIE REMPLACABLE / PARTE REEMPLAZABLE  
 ITEM NO. / ARTICLE NO. / ARTICULO NO. : 6715  
 DESCRIPTION / DESCRIPCIÓN : CONSOLE / CONSOLE / CONSOLA

**WARNING**



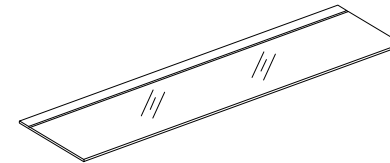
**Serious or fatal crushing injuries can occur from furniture tip-over. To help prevent tip-over:**

- install tipover restraint provided.
- Place heaviest items in the lowest drawers.
- Do not set TV's or other heavy objects on top of this product unless the product is specifically designed to accommodate them.
- Never allow children to climb or hang on drawers, doors, or shelves.
- Never open more than one drawers at a time (OR)
- Do not defeat or remove the drawers interlock system.

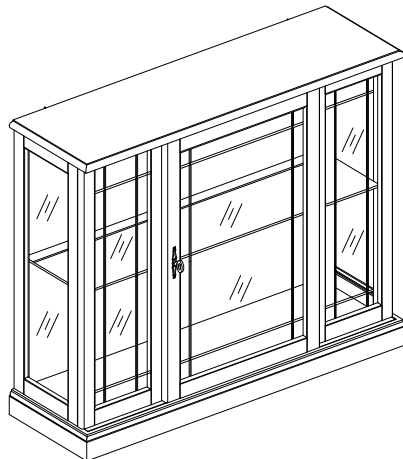
**Use of tip-over restraints may only reduce, but not eliminate, the risk of tip-over. this is a permanent label. Do not remove!**



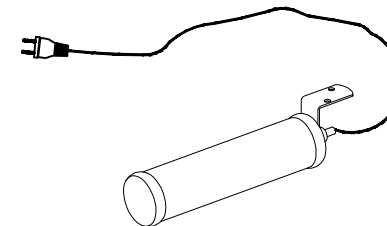
x1 R6705-PULL  
 Pull with screw \*  
 Poignée et vis  
 Tirador y Tornillo



x1 R01137-60  
 Glass shelf \*  
 Étagère en verre  
 Estante de vidrio



x4 RC-SUPPORT-01  
 Common Shelf Support \*  
 Supports Pour Tablette  
 Soporte De Las Repisas



x1 RC-LIGHT-22  
 Light fixture \*  
 Lumière  
 luz

\* Replaceable Part