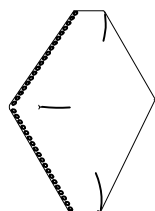


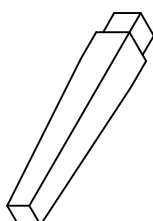
(A)

- x1 Chair Back *
- x1 Dossier de chaise
- x1 Respaldo de silla



(B)

- x1 Seat Frame with Cushion *
- x1 Cadre de siège avec coussin
- x1 Armazón del asiento con cojín



(C)

- x2 Front Leg *
- x2 Jambe avant
- x2 Pata delantera



(1)

- x4 Allen bolt Ø5/16" * 75mm *
- x4 Vis à tête creuse hexagonale Ø5/16" * 75mm
- x4 Perno Allen Ø5/16" * 75mm



(2)

- x4 Allen bolt Ø5/16" * 50mm *
- x4 Vis à tête creuse hexagonale Ø5/16" * 50mm
- x4 Perno Allen Ø5/16" * 50mm



(3)

- x2 Allen bolt Ø5/16" * 40mm *
- x2 Vis à tête creuse hexagonale Ø5/16" * 40mm
- x2 Perno Allen Ø5/16" * 40mm



(4)

- x10 Lock washer Ø5/16" * 13*2mm *
- x10 Rondelle de blocage Ø5/16" * 13*2mm
- x10 Arandela de Seguridad Ø5/16" * 13*2mm



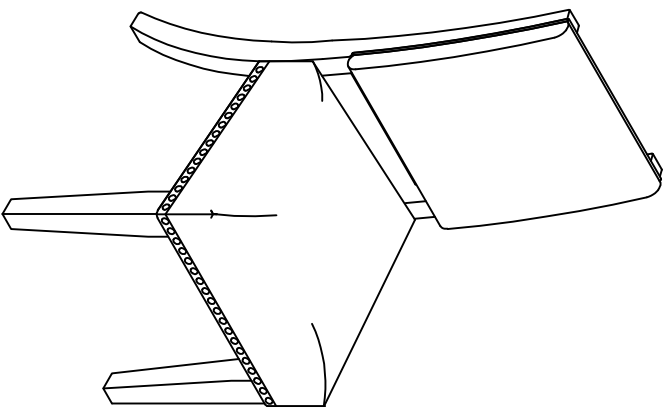
(5)

- x10 Flat washer Ø5/16" * 19*2mm *
- x10 Rondelle plate Ø5/16" * 19*2mm
- x10 Arandela plana Ø5/16" * 19*2mm



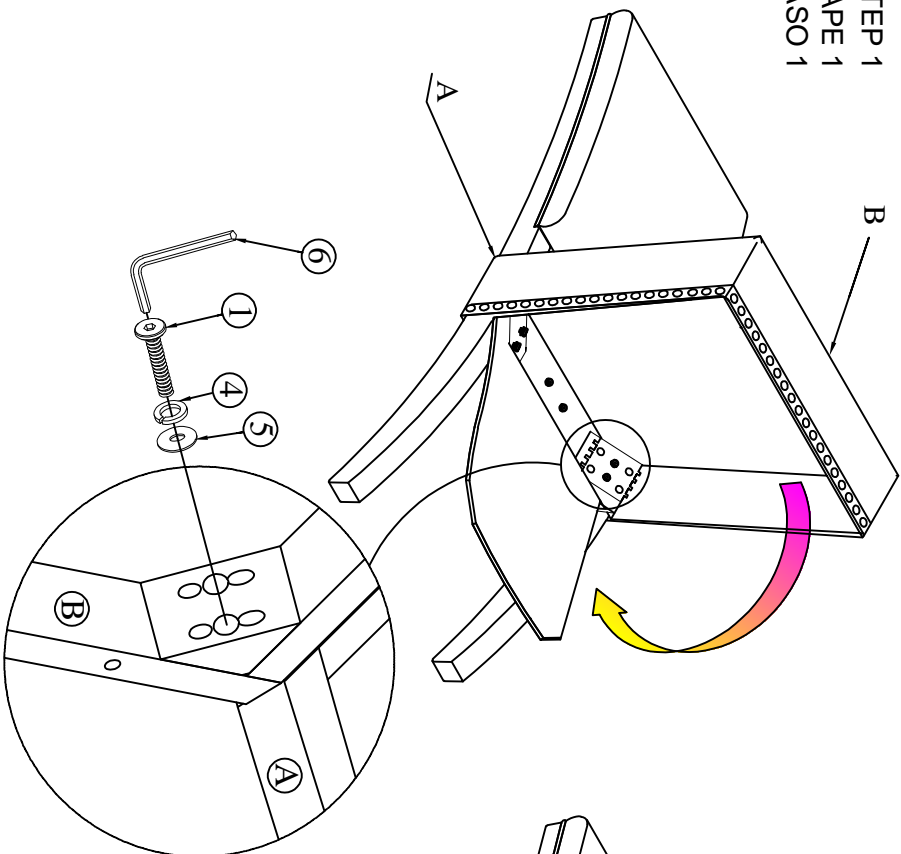
(6)

- x1 Allen key M4 *
- x1 Clé hexagonale
- x1 Llave Allen

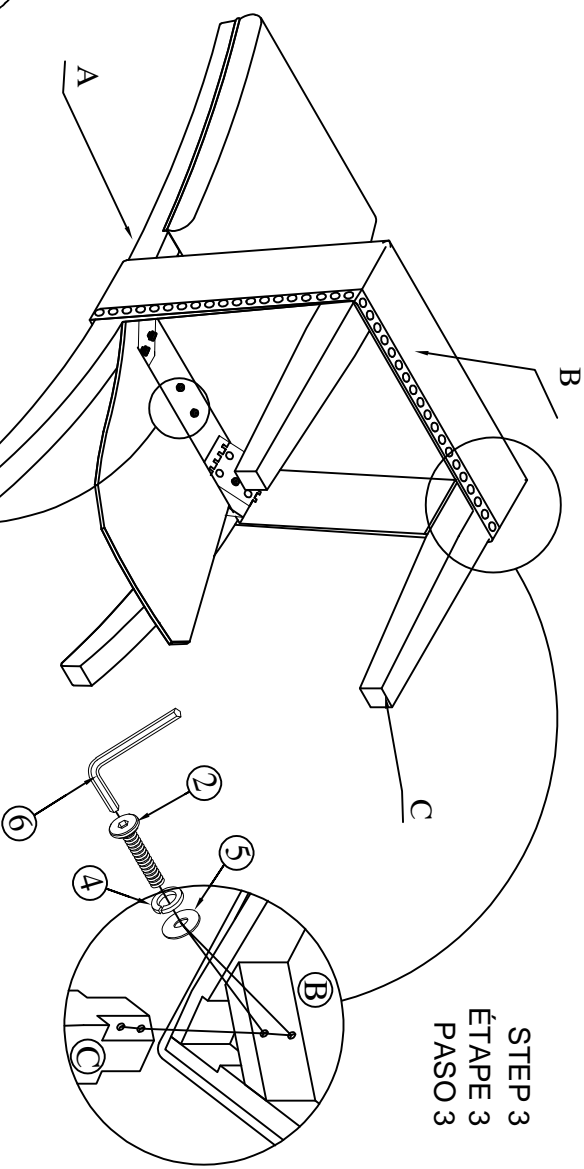


*Replaceable Part

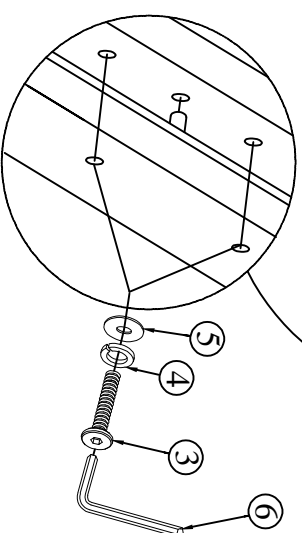
STEP 1
ÉTAPE 1
PASO 1



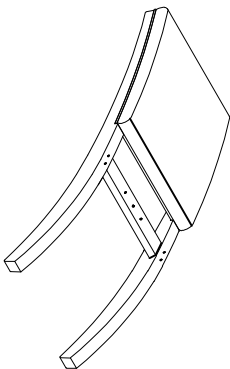
STEP 3
ÉTAPE 3
PASO 3



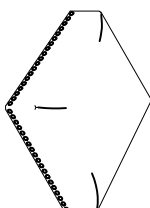
STEP 2
ÉTAPE 2
PASO 2



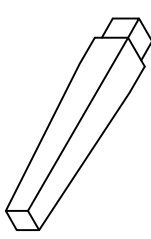
* Replaceable Part



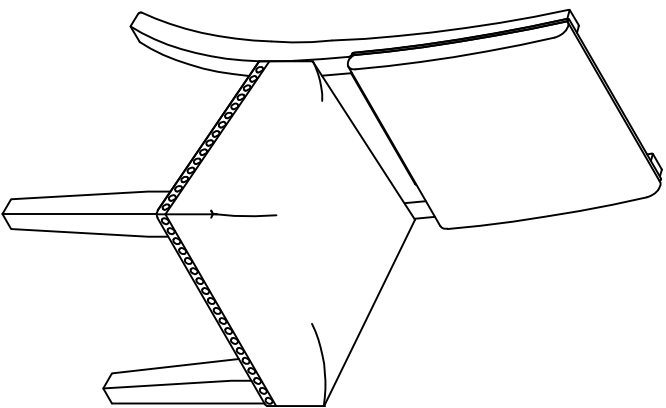
x1 RS9964-154-BACK-Chair Back *
 Dossier de chaise
 Respaldio de silla



x1 RS964-154-SEAT-Seat Cushion with Frame *
 Cadre de siege avec coussin
 Armazon del asiento con cojin



x2 RS964-154-LEG-Front Leg *
 Jambe avant
 Pata delantera



x1 RS964-154-HWKIT-Hardware kit list *
 Liste des pieces de quincaillies
 Lista del kit de materiales



x4 RC-WH-NAIL-White Plastic nail *
 Clou en plastique
 Clavo de plastico

*** Replaceable Part**

Protect Your Wood or Laminate Flooring

*This statement applies to any floor without carpet.

If not careful, all furniture including upholstery and case pieces can scratch, scuff and even gouge floors. The recommendation is to have felt, rubber pads or area rugs under furniture on flooring without carpet.

Moving your furniture

Pushing and dragging furniture over floors without carpet can lead to scratches and scuffs. Have someone help when moving the larger pieces of furniture by lifting, try using a dolly or moving pads.

Felt and rubber pads

Applying furniture pads to the feet of furniture helps cushion contact points. Furniture pads can be found at local hardware stores. Felt pads slide easily across the floor, making them ideal for dining chairs and other pieces that move with use. Rubber pads will help furniture stay in place and are perfect for larger pieces, like sofas and loveseats.

Area rugs and rug pads

Using an area rug under furniture is another way to protect your floor from scratches and scuff marks. A rug pad under the area rug will provide extra cushion and added protection.