

(A)

x1 Top
x1 Siège avec coussin
x1 Cojín de asiento con cuadro del asiento



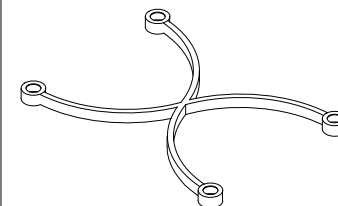
(B)

x4 Upper Leg *
x4 Patte supérieure
x4 Pata superior



(C)

x4 Lower Leg *
x4 Patte inférieure
x4 Pata inferior

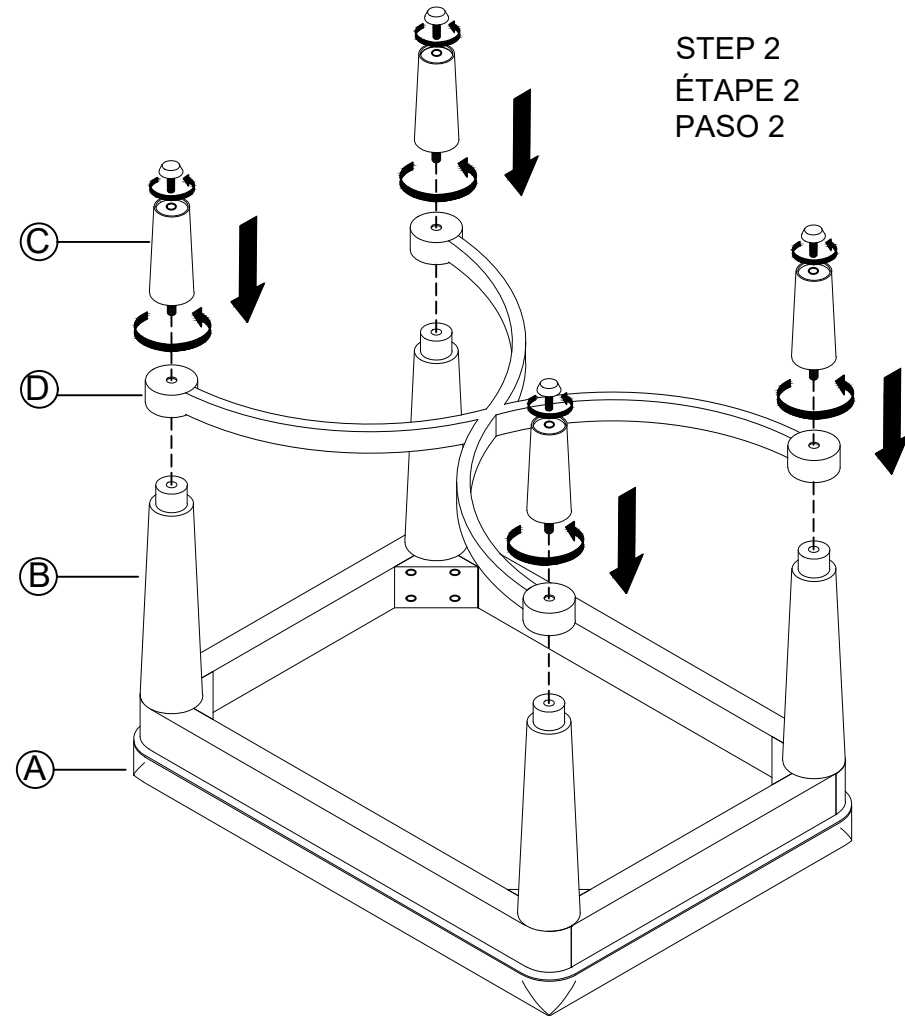
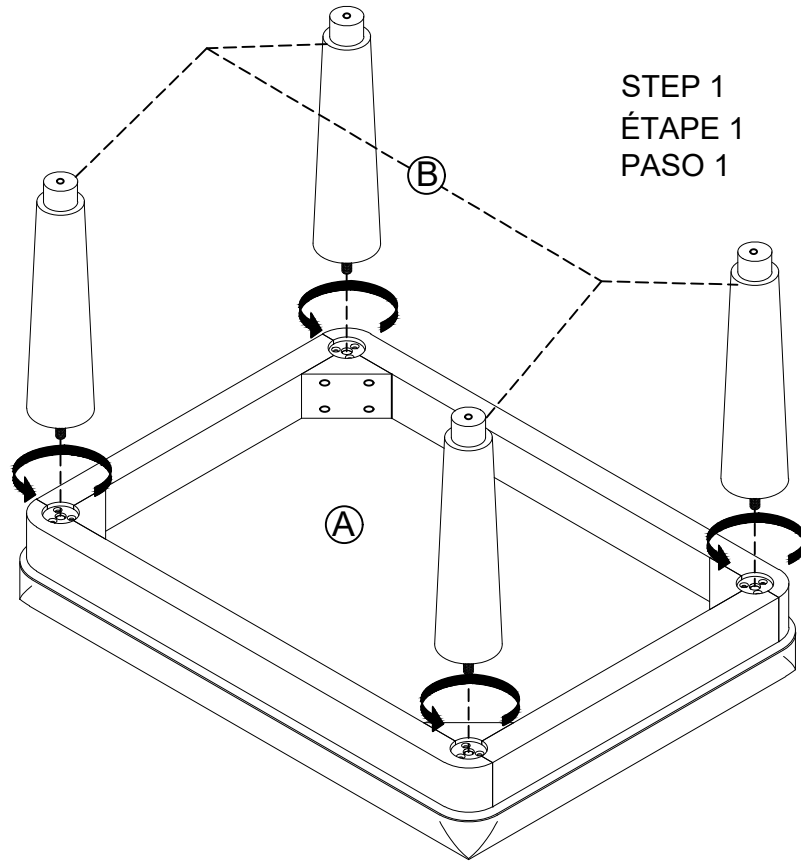


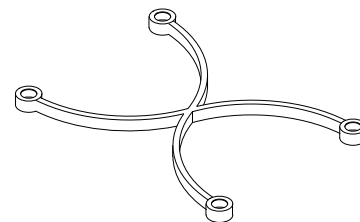
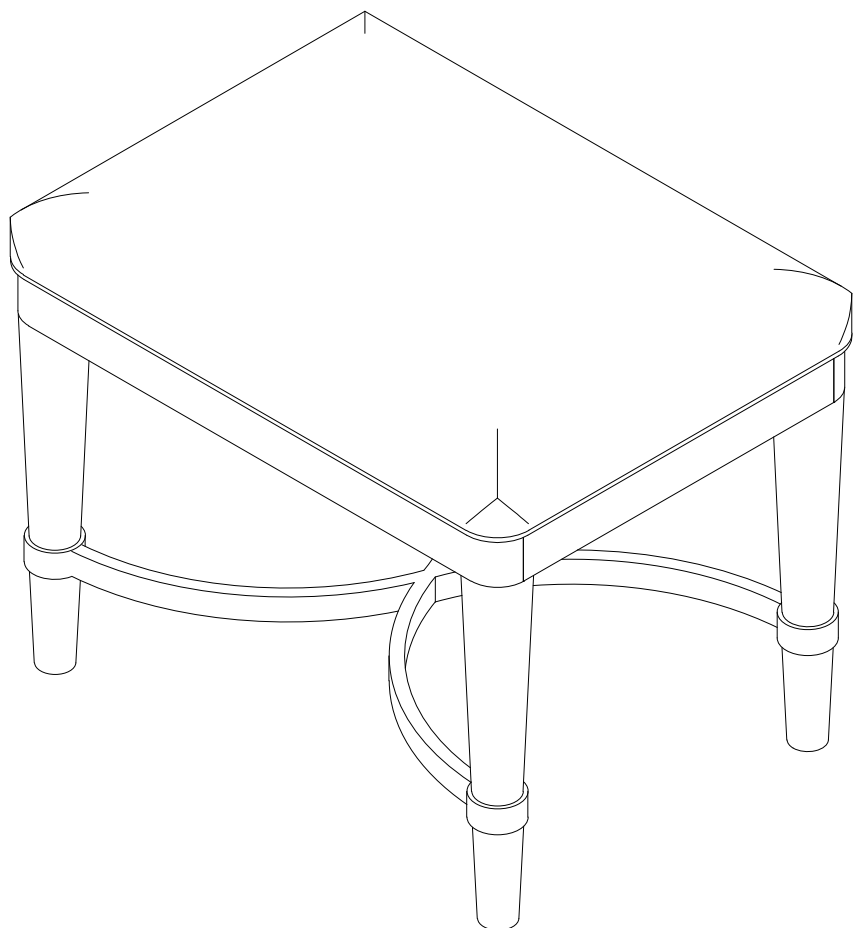
(D)

x1 Metal Frame *
x1 Cadre en métal
x1 Armazón de metal

* Replaceable Part

Note: When assembly the legs to the tabletop, you need to loosen the screws first, then put the iron frame in before tightening





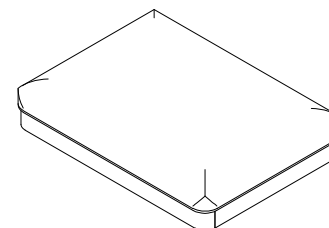
x1 RP377136-FRAME- Metal Frame
- Cadre en métal
- Armazón de metal



x4 RP377136-LEGU- Upper Vanity Leg
- Patte supérieure
- Pata superior



x4 RP377136-LEGL - Lower Vanity Leg
- Patte inférieure
- Pata inferior



x1 RP377136-SEAT- Seat Frame with Cushion
- Siège avec coussin
- Cojín de asiento con cuadro del asiento



x4 RC-FG-WHITE - White Leveler
- Patin réglable
- Nivelador

* Replaceable Part

Protect Your Wood or Laminate Flooring

*This statement applies to any floor without carpet.

If not careful, all furniture including upholstery and case pieces can scratch, scuff and even gouge floors. The recommendation is to have felt, rubber pads or area rugs under furniture on flooring without carpet.

Moving your furniture

Pushing and dragging furniture over floors without carpet can lead to scratches and scuffs. Have someone

help when moving the larger pieces of furniture by lifting, try using a dolly or moving pads.

Felt and rubber pads

Applying furniture pads to the feet of furniture helps cushion contact points. Furniture pads can be found at local hardware stores. Felt pads slide easily across the floor, making them ideal for dining chairs and other pieces that move with use. Rubber pads will help furniture stay in place and are perfect for larger pieces, like sofas and loveseats.

Area rugs and rug pads

Using an area rug under furniture is another way to protect your floor from scratches and scuff marks. A rug pad under the area rug will provide extra cushion and added protection.