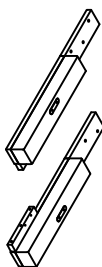




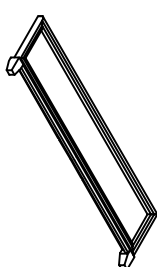
A

x1 Headboard
x1 Tête de lit
x1 Cabecera



B

x2 Headboard Legs (Left & Right) *
x2 Pates de la tête de lit (gauche et droite)
x2 Patas de cabecera (izquierda y derecha)



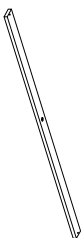
C

x1 Footboard
x1 Pied de lit
x1 Pie de cama



D

x2 Side Rails
x2 Côtés de lit
x2 Largueros laterales



E

x5 Slats *
x5 Lattes
x5 Listones



F

x5 Support Legs *
x5 Pates de support
x5 Patas de soporte



1

x6 Allen bolt Ø5/16" * 2"
x6 Vis à tête creuse hexagonale Ø5/16" * 2"
x6 Perno Allen Ø5/16" * 2"



2

x14 Lock washer Ø5/16" * 132mm *
x14 Rondelle de blocage Ø5/16" * 132mm
x14 Arandela de Seguridad Ø5/16" * 132mm



6

x1 Open wrench M12x1,90mm *
x1 Clé à fourche M12x1,90mm
x1 Llave de boca M12 L90mm

3

x14 Flat washer Ø5/16" * 192mm *
x14 Rondelle plate Ø5/16" * 192mm
x14 Arandela plana Ø5/16" * 192mm

4

x8 Hanger bolt Ø5/16" * 3-1/2" *
x8 Boulon-vis Ø5/16" * 3-1/2"
x8 Perno de suspensión Ø5/16" * 3-1/2"

5

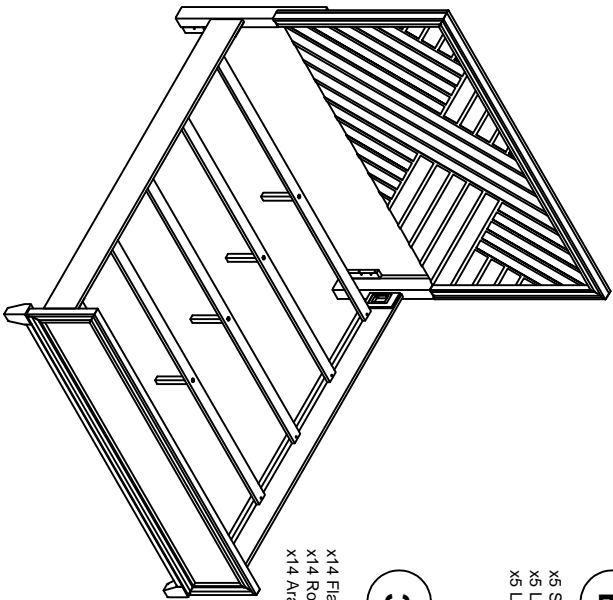
x8 Hex nut Ø5/16" x 12 x 6mm *
x8 Ecrou hexagonal Ø5/16" x 12 x 6mm
x8 Tuerca hexagona Ø5/16" x 12 x 6mm

7

x1 Allen key M4 *
x1 Clé hexagonale
x1 Llave Allen

8

x10 Wood Screw #8*30mm *
x10 Vis à bois #8 *30mm
x10 Tornillo para madera #8*30mm



* Replaceable Part

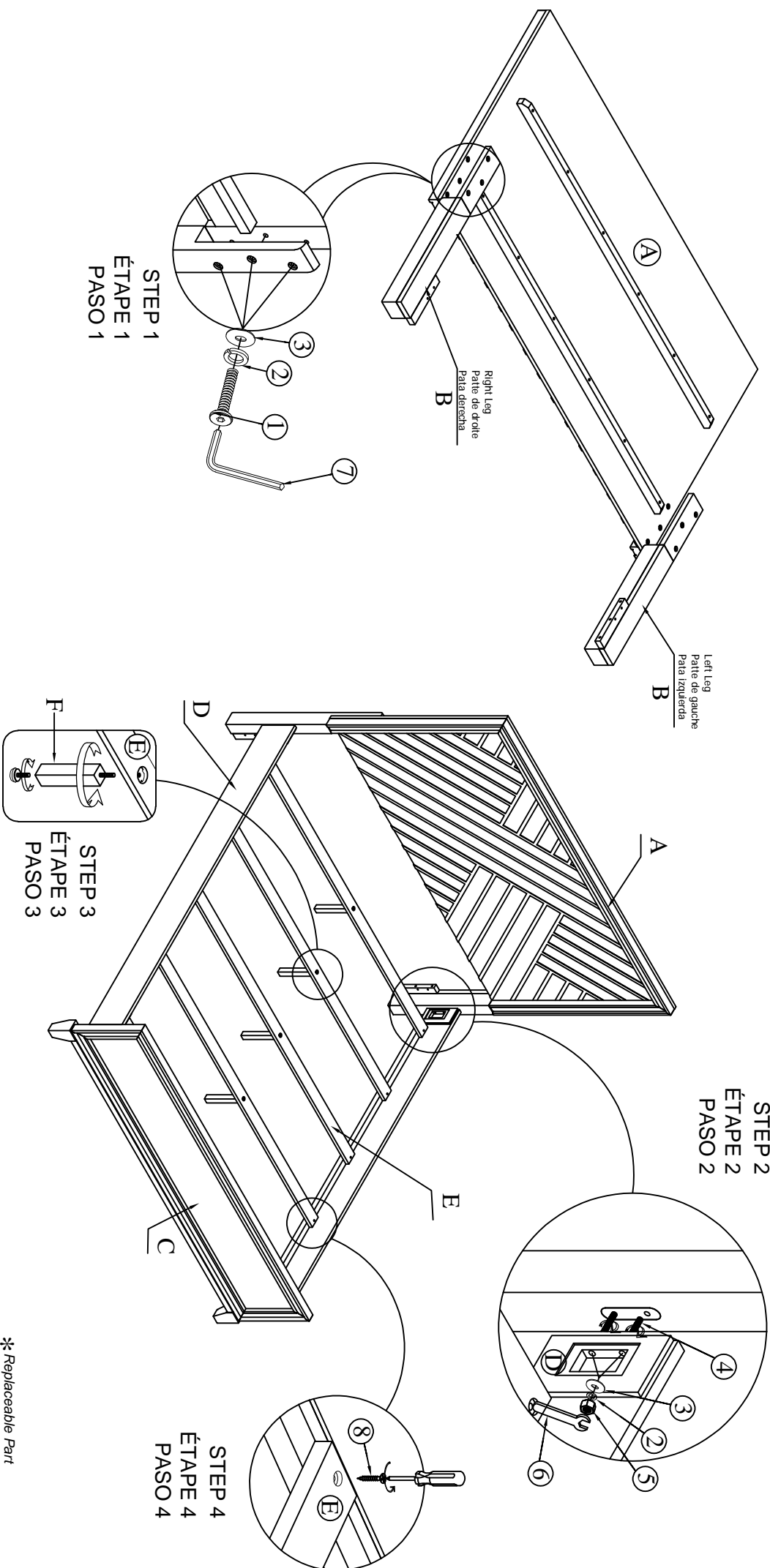
ASSEMBLY INSTRUCTION / NOTICE DE MONTAGE / INSTRUCCIONES DE MONTAJE

ITEM / NO D'ARTICLE / ARTICULO.: S964-250/251/400

DESCRIPTION / DESCRIPTION : Headboard / Tête de lit / Cabecera

Footboard / Pied de lit / Pie de cama

Side Rails / Côtés de lit / Largueros laterales



STEP 1
ÉTAPE 1
PASO 1

STEP 2
ÉTAPE 2
PASO 2

STEP 3
ÉTAPE 3
PASO 3

STEP 4
ÉTAPE 4
PASO 4

* Replaceable Part

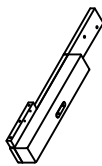
REPLACEABLE PART / PARTIE REMPLACABLE / PARTE REEMPLAZABLE

ITEM / NO D'ARTICLE / ARTICULO.: S964-250/251/400

DESCRIPTION / DESCRIPCION : Headboard / Tête de lit / Cabecera

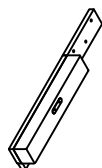
Footboard / Pied de lit / Pie de cama

Side Rails / Côtés de lit / Largueros laterales



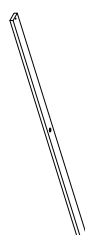
x1 RS964-250-LEGR-Right Leg
Pattee de droite
Pata derecha

*



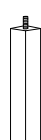
x1 RS964-250-LEGL-Left Leg
Pattee de gauche
Pata izpuierda

*



x5 RS964-251-SLAT- Slat
Lattes
Listones

*



x5 RS964-251-SUP-Support Leg
Pattes de supports
Patas de apoyo de listones

*



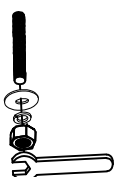
x1 RS964-250-HWKIT-Hardware kit list
Liste des pièces de quincailleries
Lista del kit de materiales

*



x1 RS964-400-HWKIT-Hardware kit list
Liste des pièces de quincailleries
Lista del kit de materiales

*



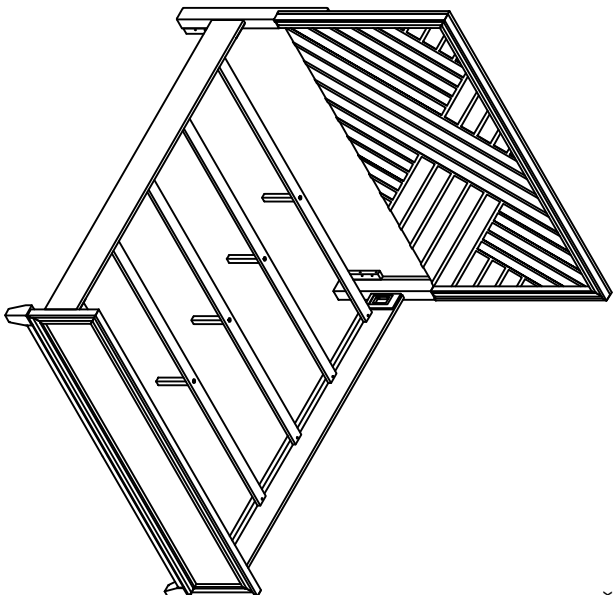
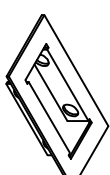
x10 RS964-251-SCREW - Slat Screw
Liste des pièces de quincailleries
Lista del kit de materiales

*



x4 RS964-400-PLATE - Metal Plate
Plaque de métal
Placa de metal

*



* Replaceable Part

Protect Your Wood or Laminate Flooring

*This statement applies to any floor without carpet.

If not careful, all furniture including upholstery and case pieces can scratch, scuff and even gouge floors. The recommendation is to have felt, rubber pads or area rugs under furniture on flooring without carpet.

Moving your furniture

Pushing and dragging furniture over floors without carpet can lead to scratches and scuffs. Have someone help when moving the larger pieces of furniture by lifting, try using a dolly or moving pads.

Felt and rubber pads

Applying furniture pads to the feet of furniture helps cushion contact points. Furniture pads can be found at local hardware stores. Felt pads slide easily across the floor, making them ideal for dining chairs and other pieces that move with use. Rubber pads will help furniture stay in place and are perfect for larger pieces, like sofas and loveseats.

Area rugs and rug pads

Using an area rug under furniture is another way to protect your floor from scratches and scuff marks. A rug pad under the area rug will provide extra cushion and added protection.