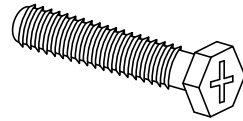
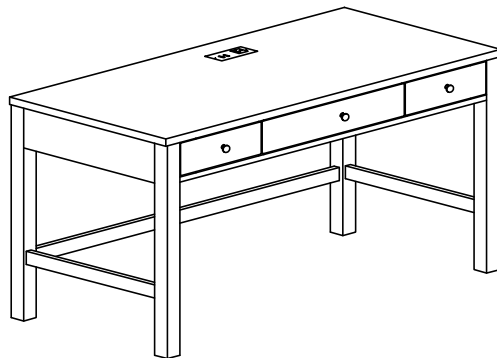


WARNING

Children have died from furniture tipover. To reduce the risk of furniture tipover:

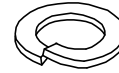
- ALWAYS install anti-tip device provided.
- NEVER put a TV on this product.
- NEVER allow children to stand, climb, or hang on any drawers, doors, or shelves.
- NEVER open more than one drawer at a time.
- Place heaviest items in the lowest drawers.

This is a permanent label. Do not remove!



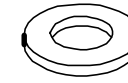
A

x8 Hex Comb Bolt (5/16 x 2") *
x8 Peigne Hexagonal (5/16 x 2")
x8 Perno Hexagonal (5/16 x 2")



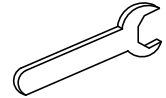
B

x8 Spring Washer M8 *
x8 Rondelle à ressort M8
x8 Arandela auto-bloqueante M8



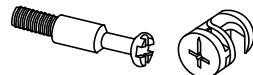
C

x8 Flat Washer M8 *
x8 Rondelle Plate M8
x8 Arandela Plana M8



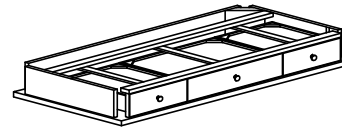
D

x1 Wrench (13MM) *
x1 Clé (13MM)
x1 llave inglesa (13MM)



E

x2 Locking Pin *
x2 Broche de verrouillage
x2 Pin de seguridad



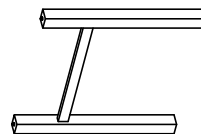
F

x1 Writing Desk Top Panel
x1 Panneau supérieur de bureau
x1 Panel de escritorio



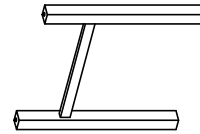
G

x1 Bottom Stretcher
x1 Civière inférieure
x1 Camilla inferior



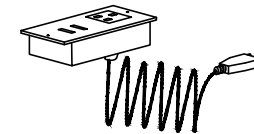
H

x1 Leg Frame (Left) *
x1 Cadre De Jambe (Gauche)
x1 Marco De La Pierna (Izquierda)



I

x1 Leg Frame (Right) *
x1 Cadre De Jambe (Droite)
x1 Marco De La Pierna (Derecha)



J

x1 Power Adapter w/USB *
x1 Adaptateur secteur avec usb
x1 Adaptador de corriente w/USB

**Replaceable Part*

WARNING



Children have died from furniture tipover. To reduce the risk of furniture tipover:

- ALWAYS install anti-tip device provided.
- NEVER put a TV on this product.
- NEVER allow children to stand, climb, or hang on any drawers, doors, or shelves.
- NEVER open more than one drawer at a time.
- Place heaviest items in the lowest drawers.

This is a permanent label. Do not remove!

STEP 1

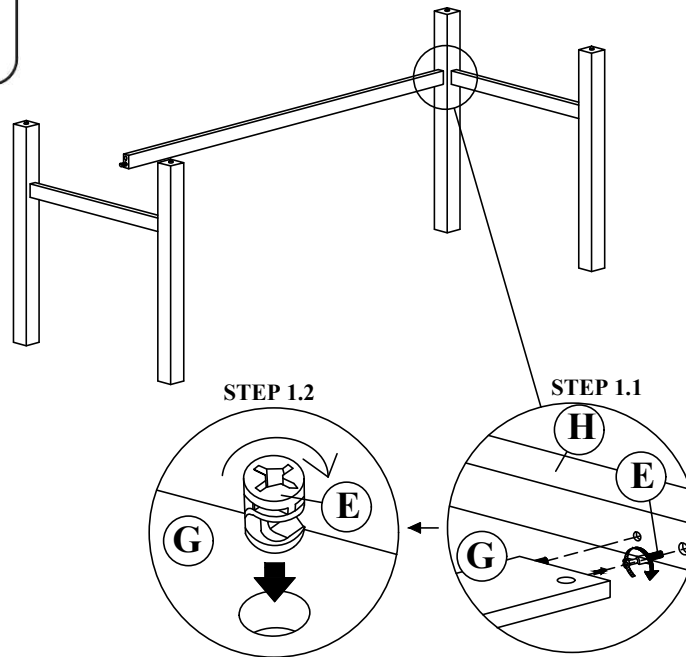
Fixed the Bottom Panel Support.

ÉTAPE 1

Fixé Le Support Du Panneau inférieur.

PASO 1

Fijo El Soporte Del Panel inferior.



STEP 2

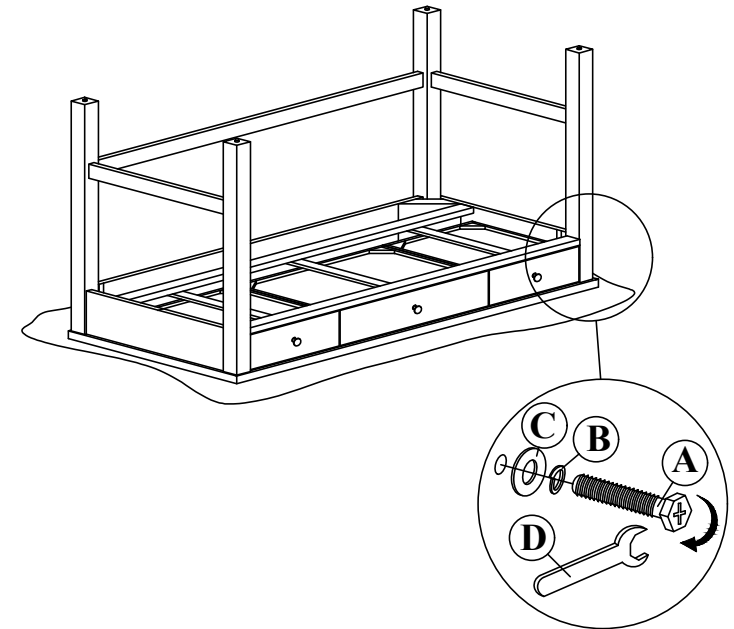
Fixed the Leg Frame.

ÉTAPE 2

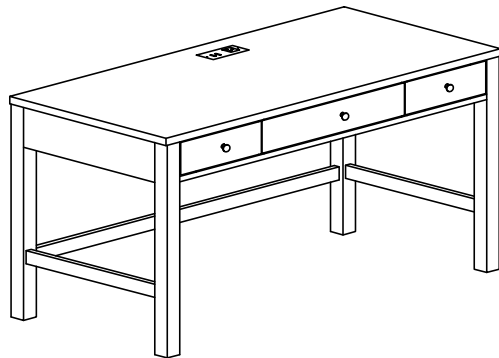
Fixé le Cadre de la jambe.

PASO 2

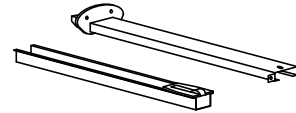
Arreglado El Marco De La Pierna.



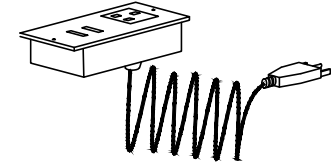
**Replaceable Part*



x3 RS496-414-KNOB *
Knob with Screw
Poignée + vis
Tirador + Tornillo



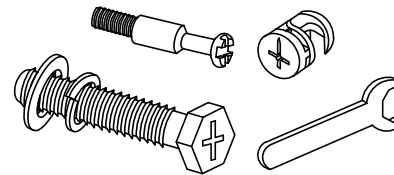
x3 RS496-414-DG *
Drawer Glide
Glissière
Carril de deslizamiento



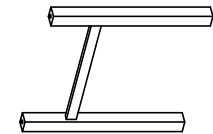
x1 RS496-414-USB *
Power Adapter w/USB
Adaptateur secteur avec usb
Adaptador de corriente w/USB



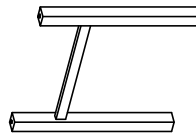
x4 RC-BR-NAIL *
Brown Plastic Nail
Clou en plastique
Clavo de plástico



x1 RS496-414-HWKIT *
Hardware Kit
Liste des pièces de quincaillerie
Lista del kit de materiales



x1 RS496-414-FRAMEL *
Leg Frame (Left)
Cadre De Jambe (Gauche)
Marco De La Pierna (Izquierda)



x1 RS496-414-FRAMER *
Leg Frame (Right)
Cadre De Jambe (Droite)
Marco De La Pierna (Derecha)



x1 RS496-414-STRE *
Bottom Stretcher
Civière inférieure
Camilla inferior

**Replaceable Part*

Protect Your Wood or Laminate Flooring

*This statement applies to any floor without carpet.

If not careful, all furniture including upholstery and case pieces can scratch, scuff and even gouge floors. The recommendation is to have felt, rubber pads or area rugs under furniture on flooring without carpet.

Moving your furniture

Pushing and dragging furniture over floors without carpet can lead to scratches and scuffs. Have someone help when moving the larger pieces of furniture by lifting, try using a dolly or moving pads.

Felt and rubber pads

Applying furniture pads to the feet of furniture helps cushion contact points. Furniture pads can be found at local hardware stores. Felt pads slide easily across the floor, making them ideal for dining chairs and other pieces that move with use. Rubber pads will help furniture stay in place and are perfect for larger pieces, like sofas and loveseats.

Area rugs and rug pads

Using an area rug under furniture is another way to protect your floor from scratches and scuff marks. A rug pad under the area rug will provide extra cushion and added protection.