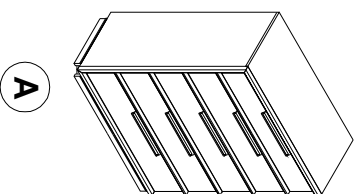
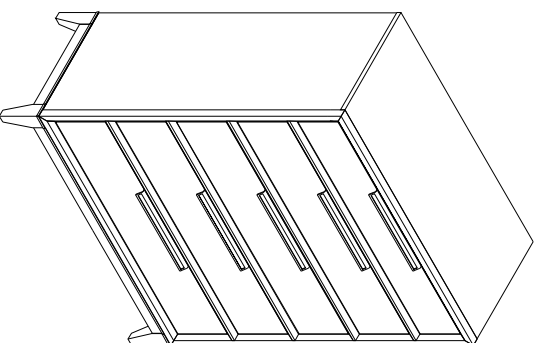


PARTS LIST / LISTE DES PIÈCES / LISTA DE PIEZAS
 ITEM NO. / NO D'ARTICLE / ARTICULO NO. : P375124
 DESCRIPTION / LA DESCRIPTION / DESCRIPCIÓN: CHEST / COMMODOE / CÒMODA

⚠ WARNING		
<p>Children have died from furniture tipover. To reduce the risk of furniture tipover:</p> <ul style="list-style-type: none"> • NEVER put a TV on this product. • NEVER allow children to stand, climb or hang on drawers, doors, or shelves. • NEVER open more than one drawer at a time. • Place heaviest items in the lowest drawers. <p>This is a permanent label. Do not remove!</p>		



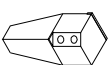
A

- x1 Chest
- x1 Commode
- x1 Comoda



B

- x2 Front leg *
- x2 Patte avant
- x2 Pata delantera



C

- x1 Back leg (left) *
- x1 Patte arrière (gauche)
- x1 Pata trasera (izquierda)



D

- x1 Back leg (right) *
- x1 Patte arrière (droite)
- x1 Pata trasera (derecha)



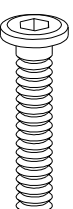
E

- x8 Flat Washer $\phi 5/16 \times 19 \times 2\text{mm}$ *
- x8 Rondelle plate $\phi 5/16 \times 19 \times 2\text{mm}$
- x8 Arandela plana $\phi 5/16 \times 19 \times 2\text{mm}$



F

- x8 Lock washer $\phi 5/16$ *
- x8 Rondelle de blocage $\phi 5/16$
- x8 Arandela de Seguridad $\phi 5/16$



G

- x8 Allen bolt $\phi 5/16 \times 51\text{mm}$ *
- x8 Vis à tête creuse hexagonale $\phi 5/16 \times 51\text{mm}$
- x8 Perno Allen $\phi 5/16 \times 51\text{mm}$



H

- x1 Allen Key 5mm *
- x1 Clé hexagonale 5mm
- x1 Llave Allen 5mm



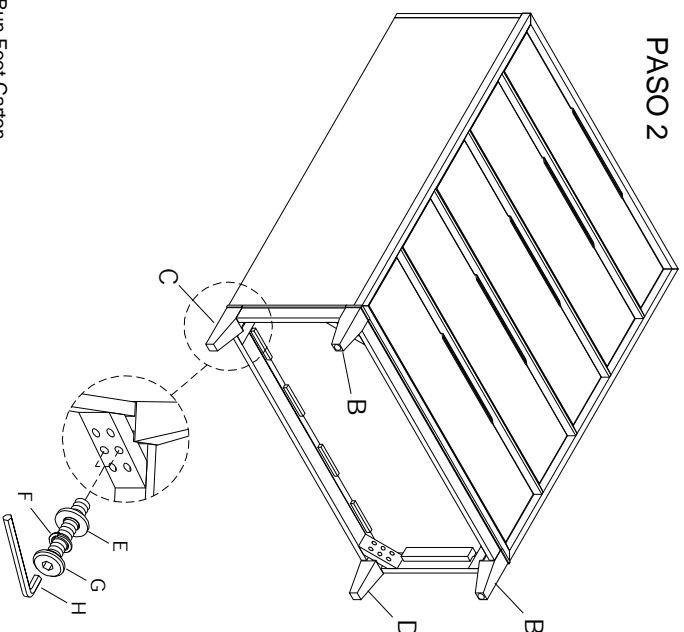
I

- x1 Furniture Tipping Restraint *
- x1 Systeme antibasculement
- x1 Control para evitar vuelcos

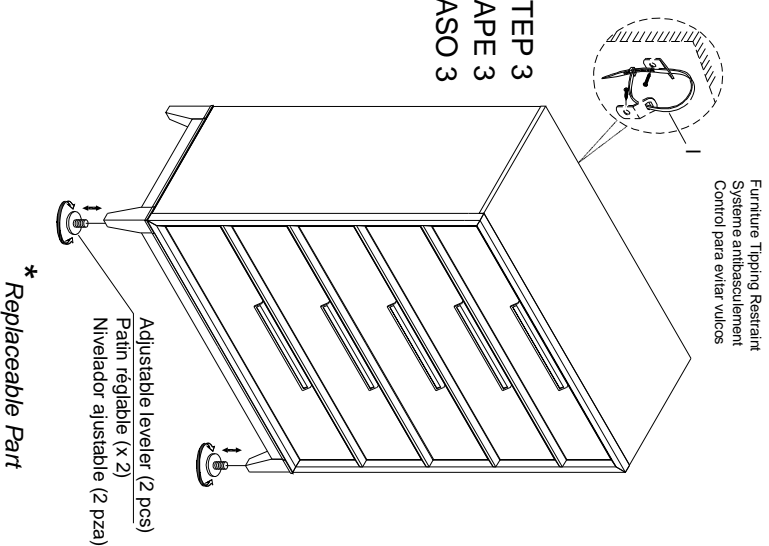
*** Replaceable Part**

⚠ WARNING	
	<p>Children have died from furniture tipover. To reduce the risk of furniture tipover:</p> <ul style="list-style-type: none"> • NEVER put a TV on this product. • NEVER allow children to stand, climb or hang on drawers, doors, or shelves. • NEVER open more than one drawer at a time. • Place heaviest items in the lowest drawers. <p>This is a permanent label. Do not remove!</p>
	

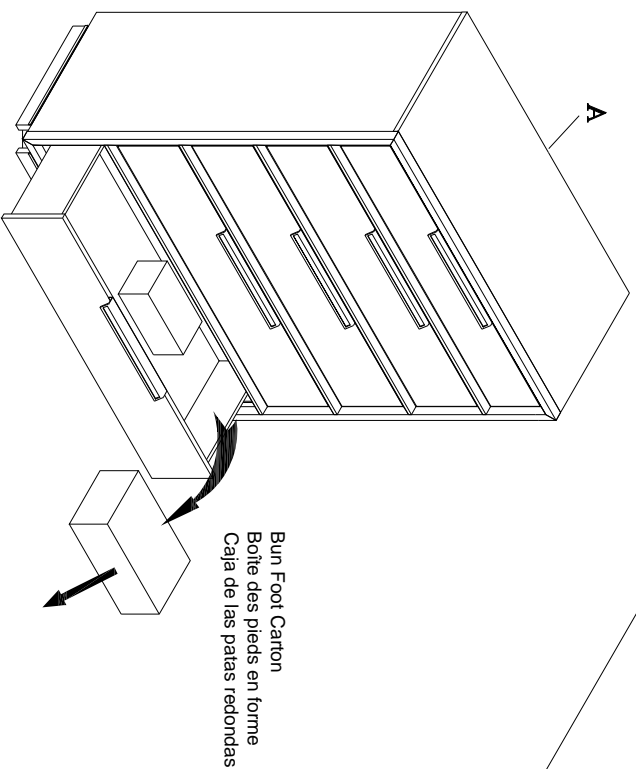
STEP 2
ÉTAPE 2
PASO 2



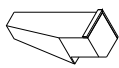
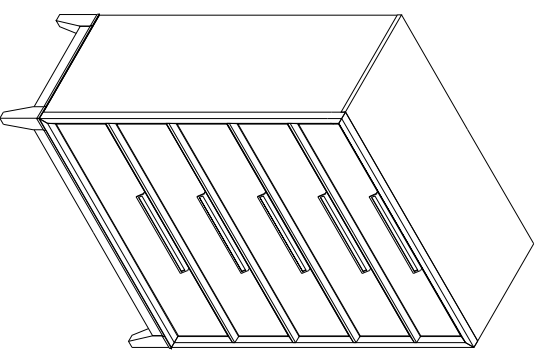
STEP 3
ÉTAPE 3
PASO 3



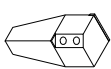
STEP 1
ÉTAPE 1
PASO 1



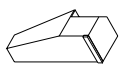
⚠ WARNING	
	<p>Children have died from furniture tipover. To reduce the risk of furniture tipover:</p> <ul style="list-style-type: none"> • NEVER put a TV on this product. • NEVER allow children to stand, climb or hang on drawers, doors, or shelves. • NEVER open more than one drawer at a time. • Place heaviest items in the lowest drawers. <p>This is a permanent label. Do not remove!</p>
	



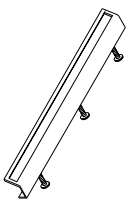
x2 RP375124-FLEG-FRONT LEG *
 Jambes
 Piernas



x1 RP375124-BLEGL-BACK LEG-Left *
 Jambes
 Piernas



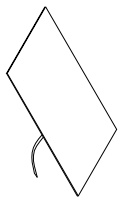
x1 RP375124-BLEGR-BACK LEG-Right *
 Jambes
 Piernas



x5 RP375124-PULLL - Long Pull with Screw *
 Poignée + vis
 Tirador + Tornillo



x1 RC-ANTI-TIP - Anti-tipping Restraint *
 Système antibasculement
 Control para evitar vuelcos



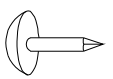
x1 RP375124-FELT-Removable Felt *
 Removable Felt
 Felpa Fieltra



x5 COMGLIDE-10-45 - Drawer Glide *
 Tiroir Glide
 Deslizamiento del cajón



x1 RP375124-HWKIT-Hardware kit list *
 Liste des pièces de quincaillerie
 Lista del kit de materiales



x2 RC-WH-NAIL - White Plastic Nail *
 Clou en plastique
 Clavo de plástico



x2 RC-FG-WHITE-White Leveler *
 Patin réglable
 Nivelador

*** Replaceable Part**

Protect Your Wood or Laminate Flooring

* This statement applies to any floor without carpet.

If not careful, all furniture including upholstery and case pieces can scratch, scuff and even gouge floors. The recommendation is to have felt, rubber pads or area rugs under furniture on flooring without carpet.

Moving your furniture

Pushing and dragging furniture over floor without carpet can lead to scratches and scuffs. Have someone help when moving the larger pieces of furniture by lifting, try using a dolly or moving pads.

Felt and rubber pads

Applying furniture pads to the feet of furniture helps cushion contact points. Furniture pads can be found at local hardware stores. Felt pads slide easily across the floor, making them ideal for dining chairs and other pieces that move with use. Rubber pads will help furniture stay in place and are perfect for larger pieces, like sofas and loveseats.

Area rugs and rug pads

Using an are rug under furniture is another way to protect your floor from scratches and scuff marks. A rug pad under the area rug will provide extra cushion and added protection.

* *Replaceable Part*