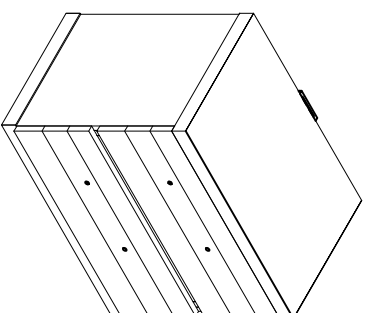
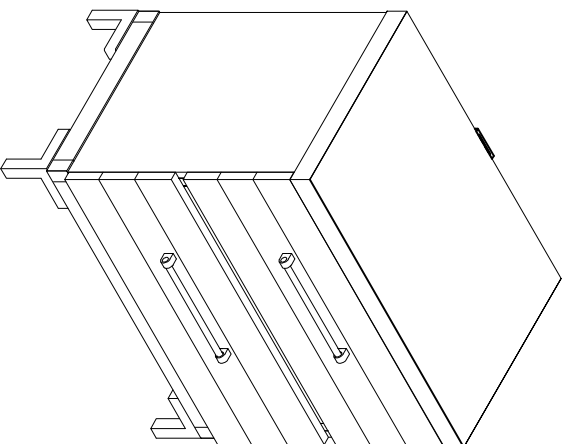
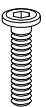


<b>⚠ WARNING</b>	
	<p>Children have died from furniture tipover. To reduce the risk of furniture tipover:</p> <ul style="list-style-type: none"> <li>• ALWAYS install tipover restraint provided.</li> <li>• NEVER put a TV on this product.</li> <li>• NEVER allow children to stand, climb or hang on drawers, doors, or shelves.</li> <li>• NEVER open more than one drawer at a time.</li> <li>• Place heaviest items in the lowest drawers.</li> </ul> <p><i>This is a permanent label. Do not remove!</i></p>
	



**A**

x1 Nighstand  
x1 Table de chevet  
x1 Mesa de noche

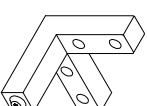


**1**

x16 Allen bolt Ø1/4" \*40mm  
x16 Vis à tête creuse hexagonale Ø1/4" \*40mm  
x16 Perno Allen Ø1/4" \*40mm

**B**

x4 Metal leg  
x4 Pied en métal  
x4 Pata metálica



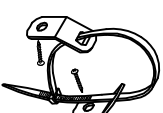
**2**

x16 Lock washer Ø1/4" \*13\*2mm  
x16 Rondelle de blocage Ø1/4" \*13\*2mm  
x16 Arandela de Seguridad Ø1/4" \*13\*2mm



**C**

x1 Furniture Tipping Restraint  
x1 Systeme antibasculement  
x1 Control para evitar vuelcos



**3**

x16 Flat washer Ø1/4" \*19\*2mm  
x16 Rondelle plate Ø1/4" \*19\*2mm  
x16 Arandela plana Ø1/4" \*19\*2mm



**4**

x1 Allen Key M4 \*  
x1 Clé hexagonale  
x1 Llave Allen

**4**

**\* Replaceable Part**

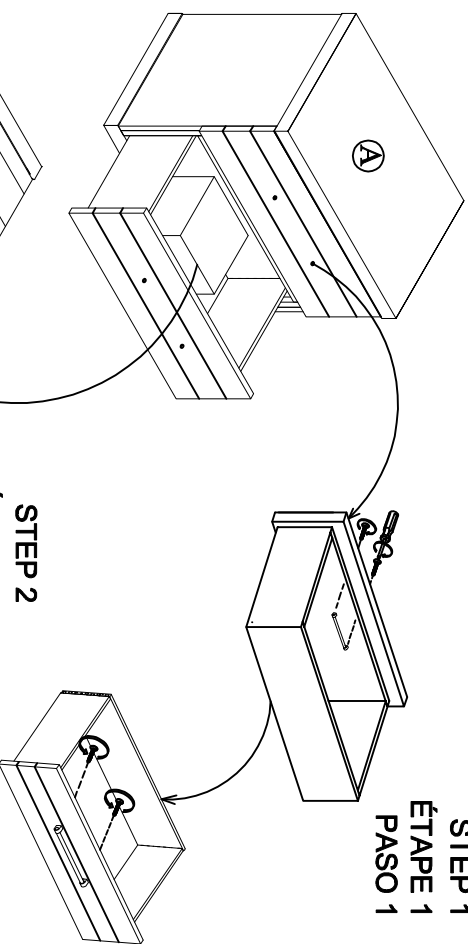
## ASSEMBLY INSTRUCTION / NOTICE DE MONTAGE / INSTRUCCIONES DE MONTAJE

ITEM / NO PARTICLE / ARTICULO.: S826-050

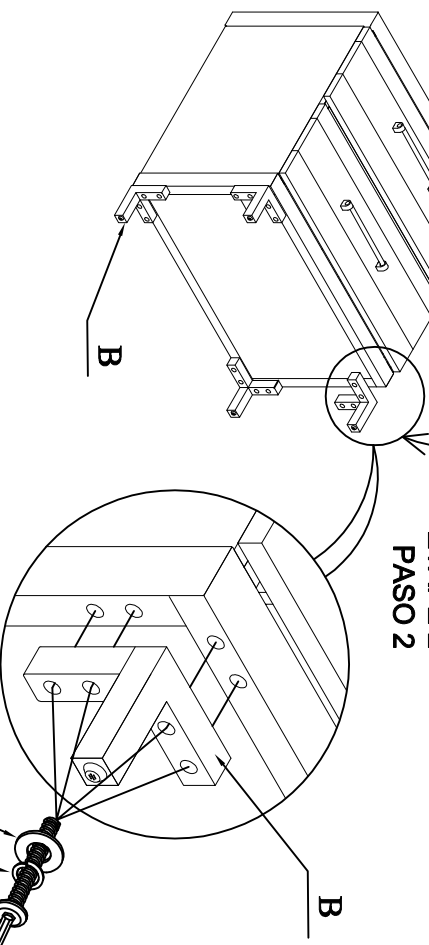
DESCRIPTION/ DESCRIPCION : Nighstand / Table de chevet / Mesa de noche

<b>⚠ WARNING</b>		<p>Children have died from furniture tipover. To reduce the risk of furniture tipover:</p> <ul style="list-style-type: none"> <li>• ALWAYS install tipover restraint provided.</li> <li>• NEVER put a TV on this product.</li> <li>• NEVER allow children to stand, climb or hang on drawers, doors, or shelves.</li> <li>• NEVER open more than one drawer at a time.</li> <li>• Place heaviest items in the lowest drawers.</li> </ul> <p><i>This is a permanent label. Do not remove!</i></p>
		

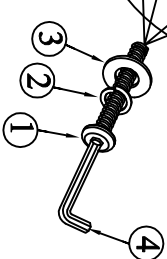
**STEP 1**  
**ÉTAPE 1**  
**PASO 1**



**STEP 2**  
**ÉTAPE 2**  
**PASO 2**



**Adjustable leveler**  
**Patin réglable**  
**Nivelador ajustable**

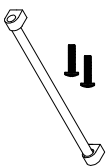
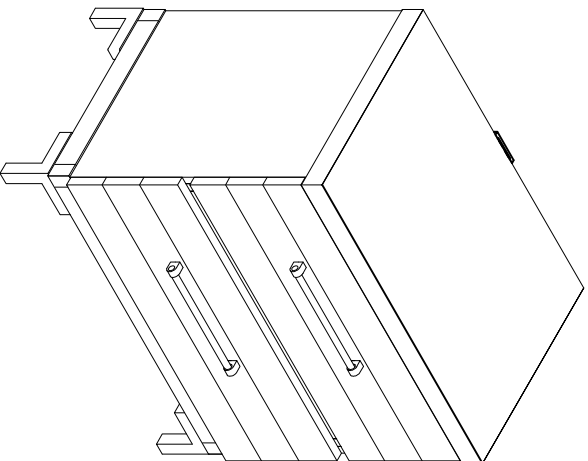


**Furniture Tipping Restraint**  
**Système antibasculement**  
**Control para evitar vuelcos**

**STEP 3**  
**ÉTAPE 3**  
**PASO 3**

**\* Replaceable Part**

<b>⚠ WARNING</b>	
	<p>Children have died from furniture tipover. To reduce the risk of furniture tipover:</p> <ul style="list-style-type: none"> <li>• ALWAYS install tipover restraint provided.</li> <li>• NEVER put a TV on this product.</li> <li>• NEVER allow children to stand, climb or hang on drawers, doors, or shelves.</li> <li>• NEVER open more than one drawer at a time.</li> <li>• Place heaviest items in the lowest drawers.</li> </ul> <p><i>This is a permanent label. Do not remove!</i></p>
	



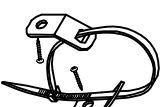
x2 RS826-010-FULL-Pull + with Screw  
Tira + Vis  
Tira + Tornillo

\*



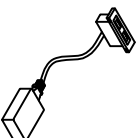
x1 RS826-010-HWKT-Hardware kit list  
Liste des pièces de quincaillerie  
Lista del kit de metalisteria

\*



x1 RC-ANTI-TIP-Furniture Tipping Restraint  
Système antibasculement  
Control para evitar vuelcos

\*



x1 RS826-050-USB-USB port  
Prise USB  
Conectores USB

\*



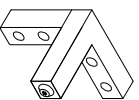
x2 COMCLUDE10-35-Drawer Glide  
Glissière  
Deslizamiento del cajón

\*



x4 RC-FG-BLACK-Black leveler  
Niveleur noir  
Niveladora negra

\*

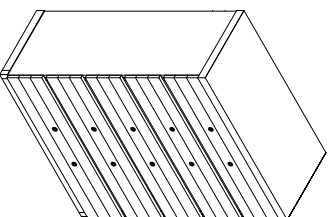
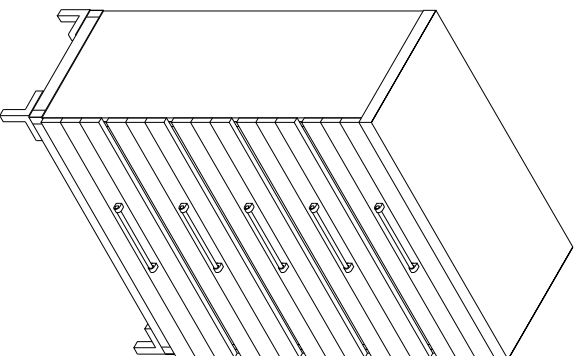


x4 RS826-010-LEG-Metal leg  
Pied en métal  
Pata metálica

\*

**\* Replaceable Part**

<b>⚠ WARNING</b>	
	
<p><b>Children have died from furniture tipover. To reduce the risk of furniture tipover:</b></p> <ul style="list-style-type: none"> <li>• ALWAYS install tipover restraint provided.</li> <li>• NEVER put a TV on this product.</li> <li>• NEVER allow children to stand, climb or hang on drawers, doors, or shelves.</li> <li>• NEVER open more than one drawer at a time.</li> <li>• Place heaviest items in the lowest drawers.</li> </ul> <p><i>This is a permanent label. Do not remove!</i></p>	



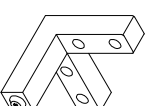
**A**

x1 Chest  
x1 Commode  
x1 Cómoda



**1**

x16 Allen bolt Ø1/4"™40mm \*  
x16 Vis à tête creuse hexagonale Ø1/4"™40mm  
x16 Perno Allen Ø1/4"™40mm



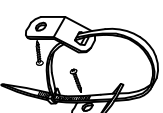
**B**

x4 Metal leg  
x4 Pied en métal  
x4 Pata metálica



**2**

x16 Lock washer Ø1/4"™13\*2mm \*  
x16 Rondelle de blocage Ø1/4"™13\*2mm  
x16 Arandela de Seguridad Ø1/4"™13\*2mm



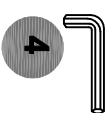
**C**

x1 Furniture Tipping Restraint  
x1 Système antibasculement  
x1 Control para evitar vuelcos



**3**

x16 Flat washer Ø1/4"™19\*2mm \*  
x16 Rondelle plate Ø1/4"™19\*2mm  
x16 Arandela plana Ø1/4"™19\*2mm

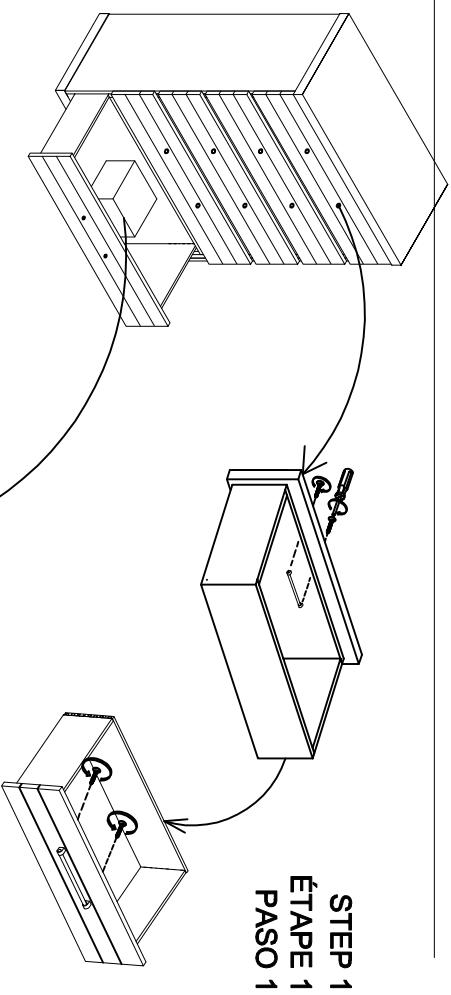


**4**

x1 Allen key M4 \*  
x1 Clé hexagonale  
x1 Llave Allen

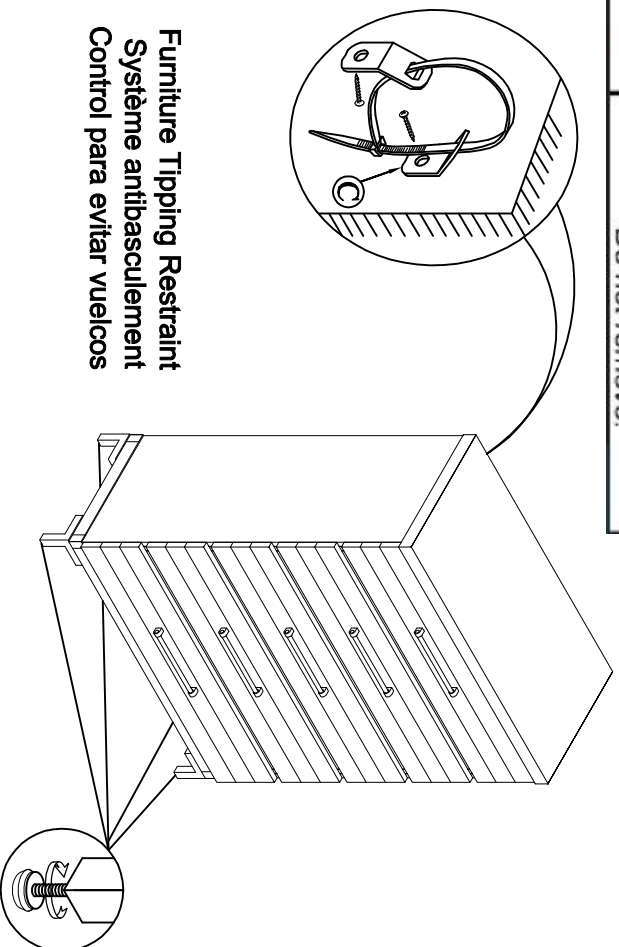
**\* Replaceable Part**

<b>⚠ WARNING</b>	
	<p>Children have died from furniture tipover. To reduce the risk of furniture tipover:</p> <ul style="list-style-type: none"> <li>• ALWAYS install tipover restraint provided.</li> <li>• NEVER put a TV on this product.</li> <li>• NEVER allow children to stand, climb or hang on drawers, doors, or shelves.</li> <li>• NEVER open more than one drawer at a time.</li> <li>• Place heaviest items in the lowest drawers.</li> </ul> <p><i>This is a permanent label. Do not remove!</i></p>
	

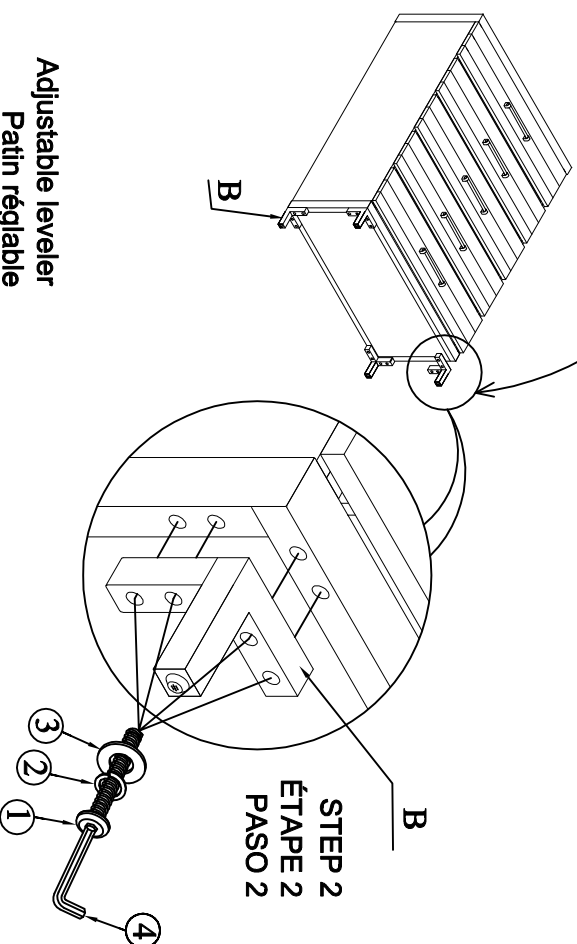


**STEP 3**  
ÉTAPE 3  
PASO 3

**Furniture Tipping Restraint**  
Système antibasculement  
Control para evitar vuelcos

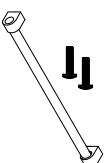
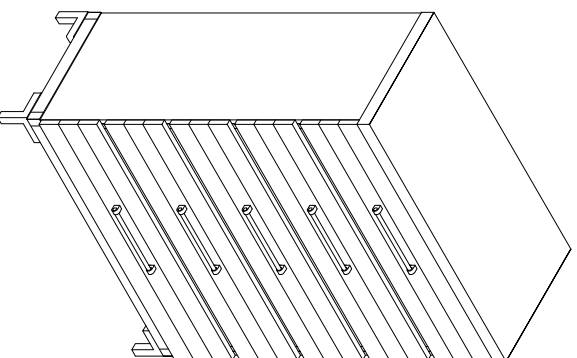


**Adjustable leveler**  
Patin réglable  
Nivelador ajustable



\* Replaceable Part

<b>⚠ WARNING</b>	
	<p>Children have died from furniture tipover. To reduce the risk of furniture tipover:</p> <ul style="list-style-type: none"> <li>• ALWAYS install tipover restraint provided.</li> <li>• NEVER put a TV on this product.</li> <li>• NEVER allow children to stand, climb or hang on drawers, doors, or shelves.</li> <li>• NEVER open more than one drawer at a time.</li> <li>• Place heaviest items in the lowest drawers.</li> </ul> <p><i>This is a permanent label. Do not remove!</i></p>
	



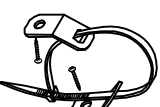
x5 RS826-010-FULL-Pull + with Screw  
Tira + Vis  
Tira + Tornillo

\*



x1 RS826-010-HWKT-Hardware kit list  
Lista des pièces de quincailleries  
Lista del kit de metalisteria

\*



x1 RC-ANTI-TIP-Furniture Tipping Restraint  
Système antibasculement  
Control para evitar vuelcos

\*



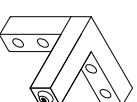
x4 RC-FG-BLACK - Black leveler  
Niveleur noir  
Niveladora negra

\*



x5 COMGLIDE12-35 - Drawer Glide  
Glissiera  
Deslizamiento del cajón

\*

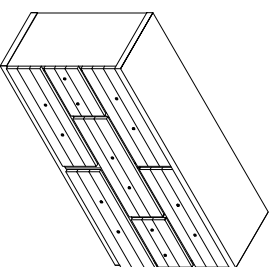
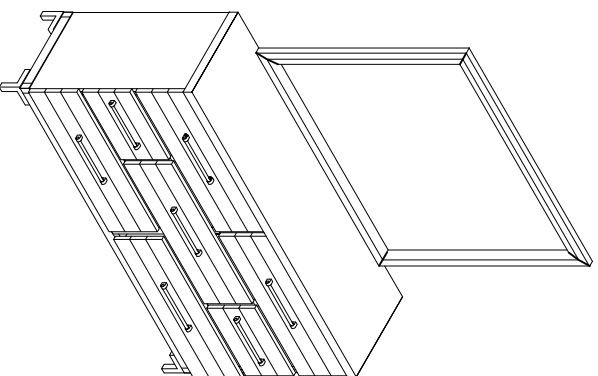


x4 RS826-010-EG-Metal leg  
Pied en métal  
Pata metálica

\*

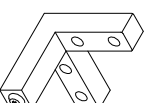
**\* Replaceable Part**

<b>⚠ WARNING</b>	
	
<p><b>Children have died from furniture tipover. To reduce the risk of furniture tipover:</b></p> <ul style="list-style-type: none"> <li>• ALWAYS install tipover restraint provided.</li> <li>• NEVER put a TV on this product.</li> <li>• NEVER allow children to stand, climb or hang on drawers, doors, or shelves.</li> <li>• NEVER open more than one drawer at a time.</li> <li>• Place heaviest items in the lowest drawers.</li> </ul> <p><i>This is a permanent label. Do not remove!</i></p>	



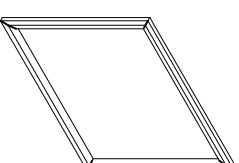
**A**

x1 Dresser  
x1 Commode  
x1 Tocadoor



**B**

x4 Metal leg  
x4 Pied en metal  
x4 Pata metalica



**C**

x1 Mirror  
x1 Miroir  
x1 Espejo



**D**

x2 Mirror Support  
x2 Prise en charge du miroir  
x2 Soporte de espejo



**2**

x24 Lock washer Ø1/4"×13\*2mm  
x24 Rondelle de blocage Ø1/4"×13\*2mm  
x24 Arandela de Seguridad Ø1/4"×13\*2mm



**E**

x1 Furniture Tipping Restraint  
x1 Système antitassaclement  
x1 Control para evitar vuelcos



**3**

x24 Flat washer Ø1/4"×19\*2mm  
x24 Rondelle plate Ø1/4"×19\*2mm  
x24 Arandela plana Ø1/4"×19\*2mm



**1**

x24 Allen bolt Ø1/4"×40mm  
x24 Vis à tête creuse hexagonale Ø1/4"×40mm  
x24 Perno Allen Ø1/4"×40mm



**4**

x1 Allen key M4  
x1 Clé hexagonale  
x1 Llave Allen

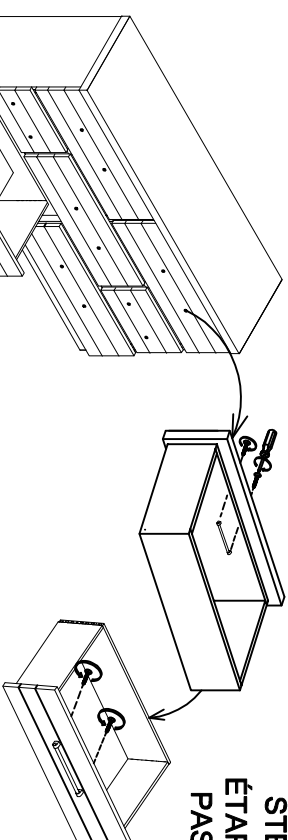
**\* Replaceable Part**

## ASSEMBLY INSTRUCTION / NOTICE DE MONTAGE / INSTRUCCIONES DE MONTAJE

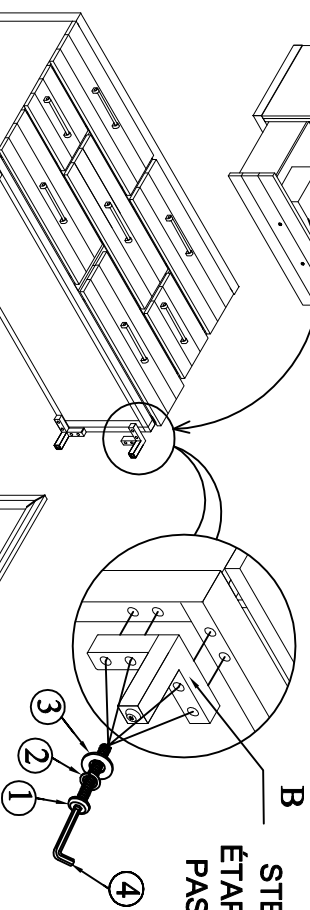
ITEM / NO PARTICLE / ARTICULO.: S826-010 / 030  
 Dresser / Commode / Tocadoir  
 Mirror / Miroir / Espejo

<b>⚠ WARNING</b>	<p>Children have died from furniture tipover. To reduce the risk of furniture tipover:</p> <ul style="list-style-type: none"> <li>• ALWAYS install tipover restraint provided.</li> <li>• NEVER put a TV on this product.</li> <li>• NEVER allow children to stand, climb or hang on drawers, doors, or shelves.</li> <li>• NEVER open more than one drawer at a time.</li> <li>• Place heaviest items in the lowest drawers.</li> </ul> <p><i>This is a permanent label. Do not remove!</i></p>
	

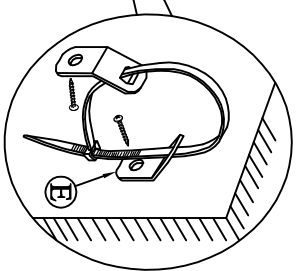
**STEP 1**  
ÉTAPE 1  
PASO 1



**STEP 2**  
ÉTAPE 2  
PASO 2



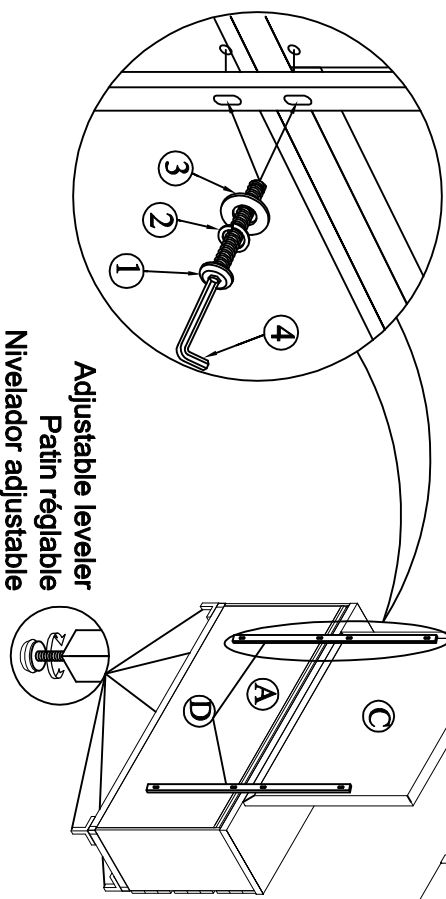
**STEP 4**  
ÉTAPE 4  
PASO 4



**Furniture Tipping Restraint**  
Système antibasculement  
Control para evitar vuelcos

\* Replacable Part

**STEP 3**  
ÉTAPE 3  
PASO 3



**Adjustable leveler**  
Patin réglable  
Nivelador ajustable



## REPLACEABLE PART / PARTIE REMPLACABLE / PARTE REEMPLAZABLE

ITEM / NO PARTICLE / ARTICULO.: S826-010 / 030  
 DESCRIPTION/ DESCRIPCION : Dresser / Commode / Tocador  
 Mirror / Miroir / Espejo

▲ WARNING



• NEVER put a TV on this product, climb or hang on drawers, doors, or shelves.

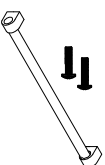
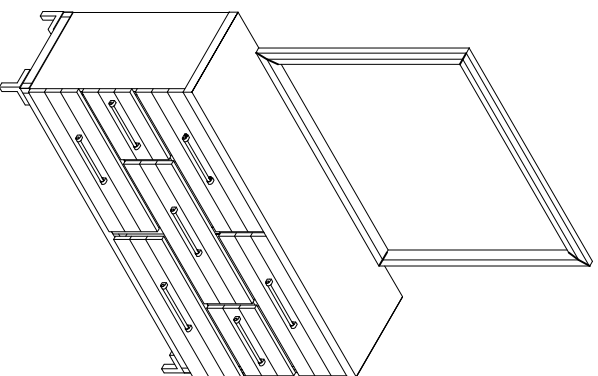


• NEVER allow children to stand, climb or hang on drawers, doors, or shelves.

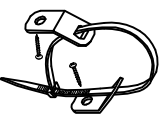
**Children have died from furniture tipover. To reduce the risk of furniture tipover:**

- ALWAYS install tipover restraint provided.
- NEVER open more than one drawer at a time.
- Place heaviest items in the lowest drawers.

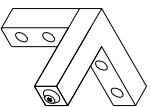
**This is a permanent label. Do not remove!**



x7 RS826-010-FULL-Pull \* with Screw  
 Tirer + Vis  
 Tira + Tornillo



x1 RC-ANTI-TIP-Furniture Tipping Restraint  
 Système antibascullement  
 Control para evitar vuelcos



x4 RS826-010-LEG-Metal leg  
 Pied en métal  
 Pata metálica



x1 RS826-010-HWKIT-Hardware kit list  
 Lista des pièces de quincailleries  
 Lista del kit de materiales



x6 RC-FG-BLACK - Black leveler  
 Niveleur noir  
 Niveladora negra



x7 COMGLIDE12-35 - Drawer glide  
 Glissière  
 Deslizamiento del cajón



x1 RS826-030-HWKIT-Hardware kit list  
 Lista des pièces de quincailleries  
 Lista del kit de materiales



x2 RS826-030-MISU-Mirror Support  
 Supporte de miroir  
 Soporte del espejo



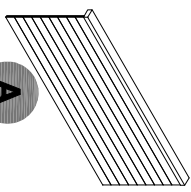
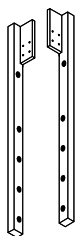
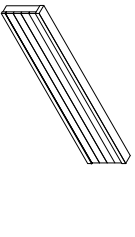

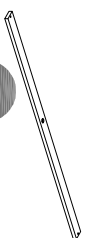
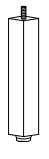

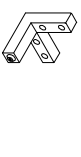





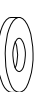
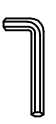



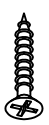
x1 RS826-010-CELEG-Center Leg  
 Jambie centrale  
 Perna central

**\* Replaceable Part**

## PARTS LIST / LISTE DES PIÈCES / LISTA DE PIEZA

ITEM / NO D'ARTICLE / ARTICULO.: S826-250/251/400  
DESCRIPTION / DESCRIPCION : Headboard / Tête de lit / Cabecera

Footboard / Pied de lit / Pie de cama  
Side Rails/ Côtés de lit / Largueros laterales

 <p><b>A</b></p> <p>x1 Headboard x1 Tête de lit x1 Cabecera</p>	 <p><b>B</b></p> <p>x2 Headboard Legs (Left &amp; Right) x2 Pattes de la tête de lit (gauche et droite) x2 Patas de cabecera (izquierda y derecha)</p>	 <p><b>C</b></p> <p>x1 Footboard x1 Pied de lit x1 Pie de cama</p>	 <p><b>D</b></p> <p>x2 Side Rails x2 Côtés de lit x2 Largueros laterales</p>	 <p><b>E</b></p> <p>x5 Slats x5 Lattes x5 Listones</p>
 <p><b>F</b></p> <p>x5 Support Legs x5 Pattes de support x5 Patas de soporte</p>	 <p><b>G</b></p> <p>x1 Bottom Rail x1 Traverse inférieure x1 Carril inferior</p>	 <p><b>1</b></p> <p>x2 Metal leg x2 Pied en métal x2 Pata metálica</p>	 <p><b>2</b></p> <p>x10 Allen bolt Ø5/16 "2" x10 Vis à tête creuse hexagonale Ø5/16 "2" x10 Perno Allen Ø5/16 "2"</p>	 <p><b>3</b></p> <p>x8 Allen bolt Ø1/4"40mm x8 Vis à tête creuse hexagonale Ø1/4"40mm x8 Perno Allen Ø1/4"40mm</p>
 <p><b>4</b></p> <p>x18 Lock washer Ø5/16"132mm x18 Rondelle de blocage Ø5/16"132mm x18 Arandela de Seguridad Ø5/16"132mm</p>	 <p><b>5</b></p> <p>x18 Flat washer Ø5/16"192mm x18 Rondelle plate Ø5/16"192mm x18 Arandela plana Ø5/16"192mm</p>	 <p><b>6</b></p> <p>x8 Lock washer Ø1/4"192mm x8 Rondelle de blocage Ø1/4"192mm x8 Arandela de Seguridad Ø1/4"192mm</p>	 <p><b>7</b></p> <p>x8 Flat washer Ø1/4"192mm x8 Rondelle plate Ø1/4"192mm x8 Arandela plana Ø1/4"192mm</p>	 <p><b>8</b></p> <p>x1 Allen Key M4 x1 Clé hexagonale x1 Llave Allen</p>
 <p><b>9</b></p> <p>x8 Hanger bolt Ø5/16"3-1/2" x8 Boulon-à-vis Ø5/16"3-1/2" x8 Perno de suspension Ø5/16"3-1/2"</p>	 <p><b>10</b></p> <p>x8 Hex nut 12"129mm x8 Ecrou hexagonal 12"129mm x8 Tuercas hexagona 2"129mm</p>	 <p><b>11</b></p> <p>x1 Open wrench 12mm x1 Clé à fourche 12mm x1 Llave de boca 12mm</p>	 <p><b>12</b></p> <p>x10 Wood Screw #8-30mm x10 Vis à bois #8-30mm x10 Tornillo para madera #8-30mm</p>	

\* Replaceable Part

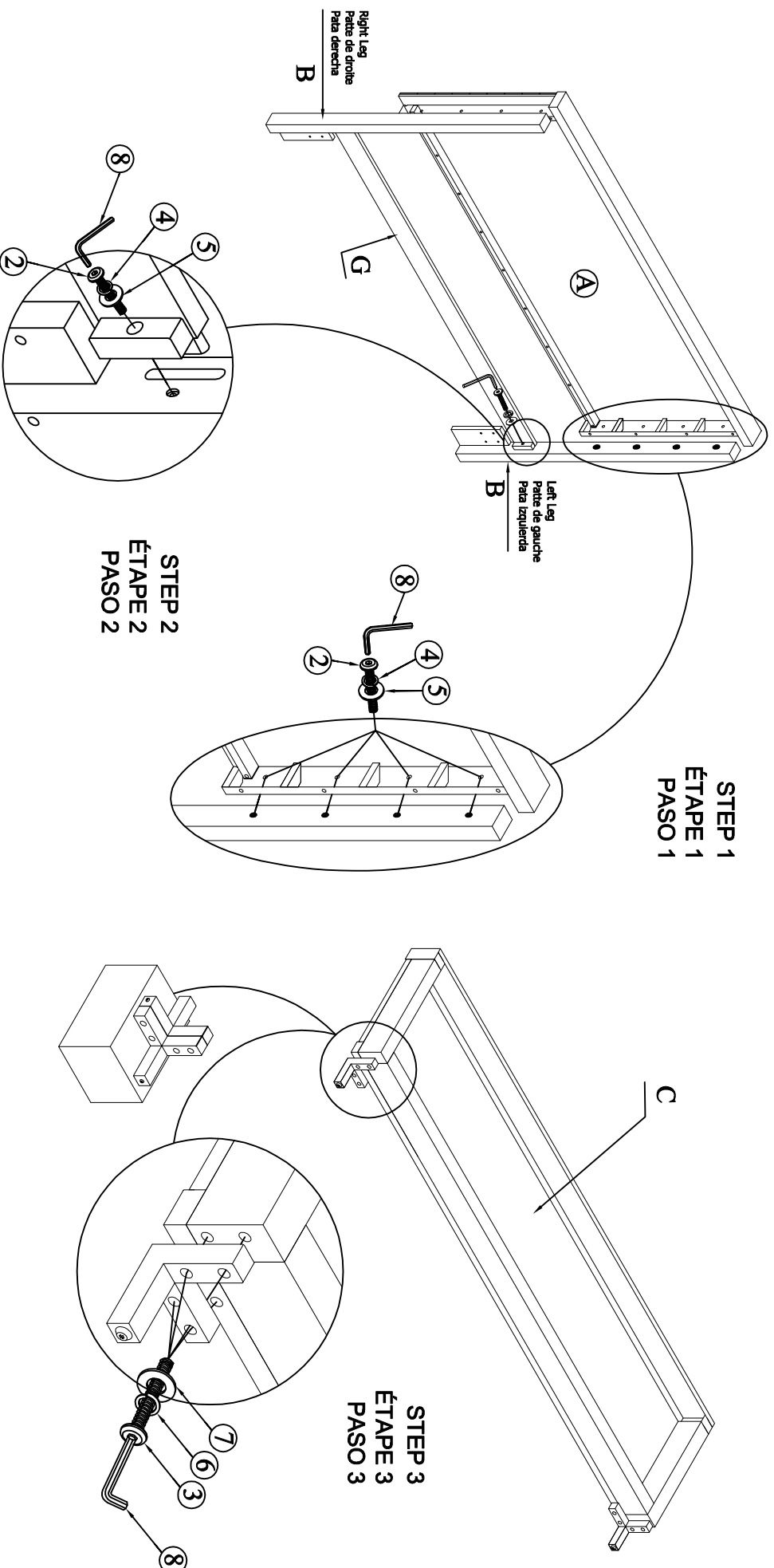
## ASSEMBLY INSTRUCTION / NOTICE DE MONTAGE / INSTRUCCIONES DE MONTAJE

ITEM / NO D'ARTICLE / ARTICULO.: S826-250/251/400

DESCRIPTION / DESCRIPTION / DESCRIPCION : Headboard / Tête de lit / Cabecera

Footboard / Pied de lit / Pie de cama

Side Rails/ Côtés de lit / Largueros laterales



\* Replacable Part

## ASSEMBLY INSTRUCTION / NOTICE DE MONTAGE / INSTRUCCIONES DE MONTAJE

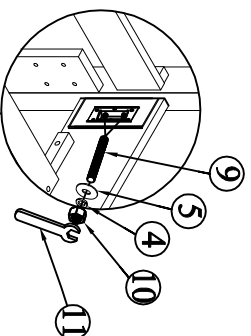
ITEM / NO D'ARTICLE / ARTICULO.: S826-250/251/400

DESCRIPTION / DESCRIPTION / DESCRIPCION: Headboard / Tête de lit / Cabecera

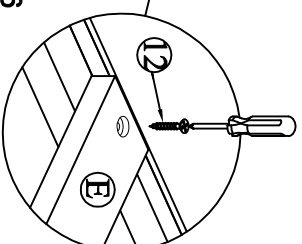
Footboard / Pied de lit / Pie de cama

Side Rails/ Côtés de lit / Largueros laterales

### STEP 4 ÉTAPE 4 PASO 4

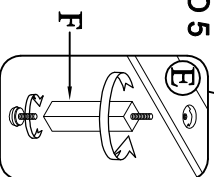


### STEP 6 ÉTAPE 6 PASO 6



Phillips head screwdriver /Not included  
Tournevis Phillips /Non compris  
Destornillador de estrella /No incluido

### STEP 5 ÉTAPE 5 PASO 5



Adjustable leveler  
Patin réglable  
Nivelador ajustable

\* Replacable Part

## REPLACEABLE PART / PARTIE REMPLACABLE / PARTE REEMPLAZABLE

ITEM / NO D'ARTICLE / ARTICULO.: S826-250/251/400  
DESCRIPTION / DESCRIPCION : Headboard / Tête de lit / Cabecera

Footboard / Pied de lit / Pie de cama  
Side Rails/ Côtés de lit / Largueros laterales



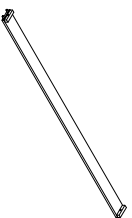
x1 RS826-250-LEG-Right Leg  
Pattes de droite  
Pata derecha



x1 RS826-250-LEG-Left Leg  
Pattes de gauche  
Pata izquierda



x1 RS826-250-HWKT-Hardware Kit List  
Liste des pièces de quincailleries  
Lista del Kit de materiales



x1 RS826-250-STRE-Bottom Rail  
Traverse inférieure  
Carril inferior



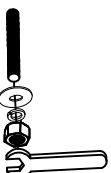
x5 RS826-251-SU-EG-Support Leg  
Pattes de supports  
Patas de apoyo de listones



x5 RS826-251-SLAT-Slat  
Lattes  
Listones



x2 RS826-251-LEG-Metal leg  
Pied en métal  
Pata metálica



x1 RS826-400-HWKT-Hardware Kit List  
Liste des pièces de quincailleries  
Lista del Kit de materiales



x1 RS826-251-HWKT-Hardware Kit  
Liste des pièces de quincailleries  
Lista del Kit de materiales



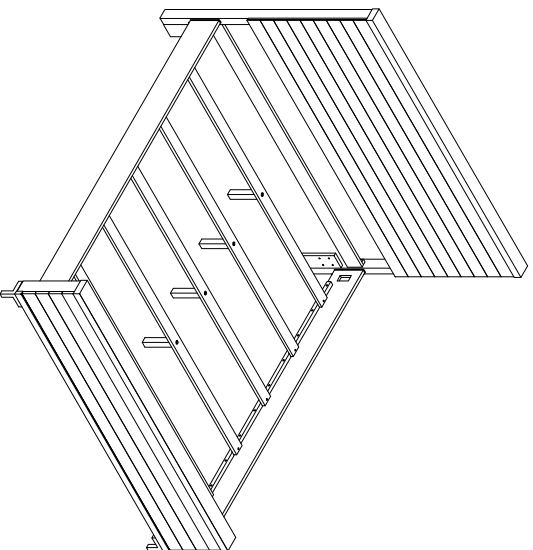
x10 RS826-251-LEG-Wood Screw  
Vis à bois  
Tornillo para madera



x5 RC-FG-BROWN Brown leveler  
Niveleadora marrón  
Niveleador marrón



x2 RC-FG-BLACK Black leveler  
Niveleur noir  
Niveleadora negra

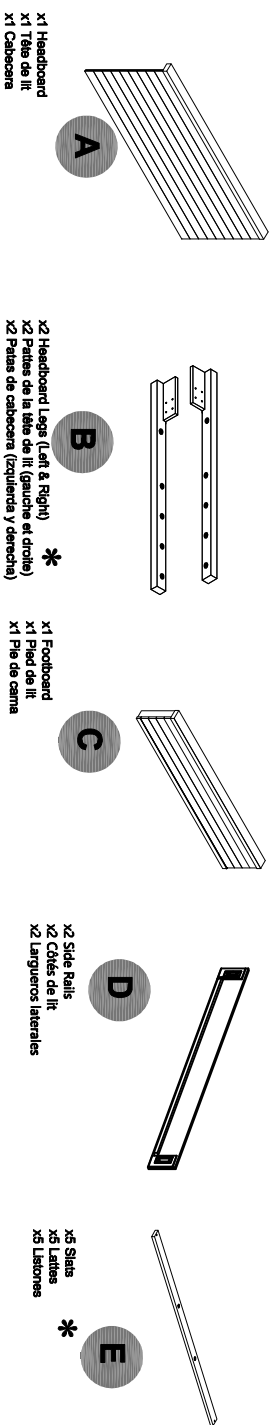


\* Replaceable Part

## PARTS LIST / LISTE DES PIÈCES / LISTA DE PIEZA

ITEM / NO D'ARTICLE / ARTICULO.: S826-270/271/400  
DESCRIPTION / DESCRIPCION : Headboard / Tête de lit / Cabecera

Footboard / Pied de lit / Pie de cama  
Side Rails/ Côtés de lit / Largueros laterales



x1 Headboard  
x1 Tête de lit  
x1 Cabecera

x2 Headboard Legs (Left & Right)  
x2 Pattes de la tête de lit (gauche et droite)  
x2 Patas de cabecera (Izquierda y derecha)

x1 Footboard  
x1 Pied de lit  
x1 Pie de cama

x2 Side Rails  
x2 Côtés de lit  
x2 Largueros laterales

x5 Slats  
x5 Lattes  
x5 Listones



**F**

x10 Support Legs  
x10 Pattes de support  
x10 Patas de soporte



**G**

x1 Bottom Rail  
x1 Traverse inférieure  
x1 Carril inferior



**1**

x2 Metal leg  
x2 Pieds en métal  
x2 Pata metálica



**2**

x10 Allen bolt Ø5/16 "2"  
x10 Vis à tête creuse hexagonale Ø5/16 "2"  
x10 Perno Allen Ø5/16 "2"



**3**

x8 Allen bolt Ø1/4"×40mm  
x8 Vis à tête creuse hexagonale Ø1/4"×40mm  
x8 Perno Allen Ø1/4"×40mm



**4**

x18 Lock washer Ø5/16"×132mm  
x18 Rondelle de blocage Ø5/16"×132mm  
x18 Arandela de Seguridad Ø5/16"×132mm



**5**

x18 Flat washer Ø5/16"×192mm  
x18 Rondelle plate Ø5/16"×192mm  
x18 Arandela plana Ø5/16"×192mm



**6**

x8 Lock washer Ø1/4"×192mm  
x8 Rondelle de blocage Ø1/4"×192mm  
x8 Arandela de Seguridad Ø1/4"×192mm



**7**

x8 Flat washer Ø1/4"×192mm  
x8 Rondelle plate Ø1/4"×192mm  
x8 Arandela plana Ø1/4"×192mm



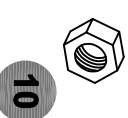
**8**

x1 Allen key M4  
x1 Clé hexagonale  
x1 Llave Allen



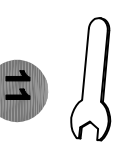
**9**

x8 Hanger bolt Ø5/16"×3-1/2"  
x8 Boulon-à-vis Ø5/16"×3-1/2"  
x8 Perno de suspension Ø5/16"×3-1/2"



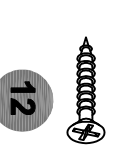
**10**

x8 Hex nut 12"×29mm  
x8 Ecrou hexagonal 12"×29mm  
x8 Tuercia hexagona 2"×29mm



**11**

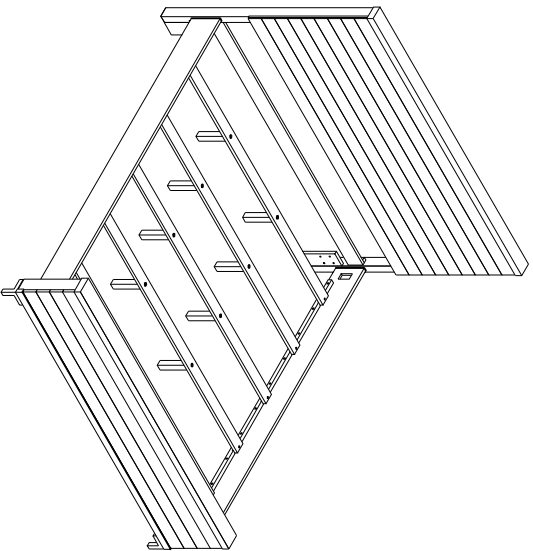
x1 Open wrench 12mm  
x1 Clé à fourche 12mm  
x1 Llave de boca 12mm



**12**

x10 Wood Screw #8×30mm  
x10 Vis à bois #8×30mm  
x10 Tornillo para madera #8×30mm

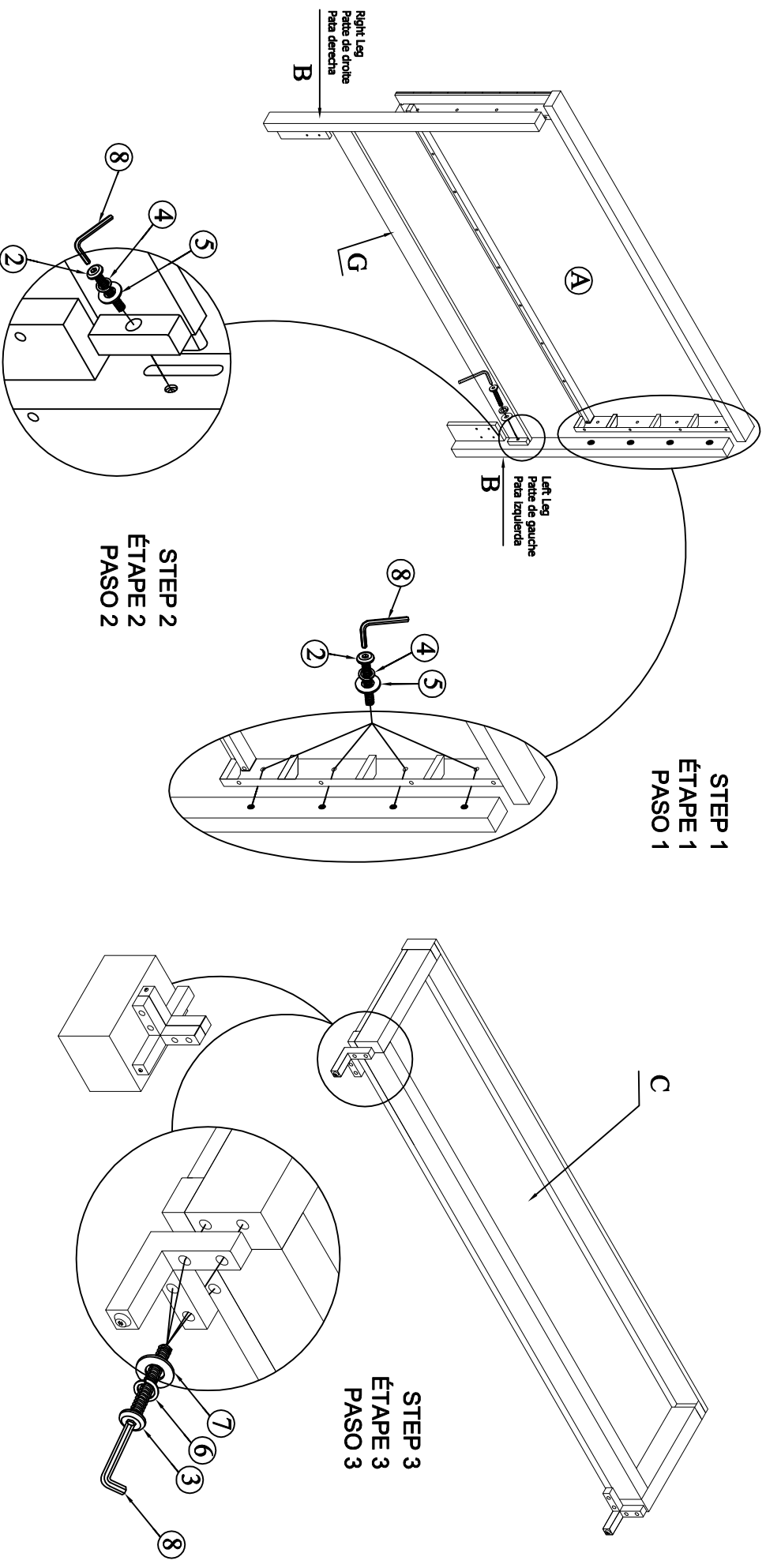
\* Replaceable Part



## ASSEMBLY INSTRUCTION / NOTICE DE MONTAGE / INTRUCCIONES DE MONTAJE

ITEM / NO D'ARTICLE / ARTICULO.: S826-270/271/400  
DESCRIPTION / DESCRIPCION :

Headboard / Tête de lit / Cabecera  
Footboard / Pied de lit / Pie de cama  
Side Rails/ Côtés de lit / Largueros laterales



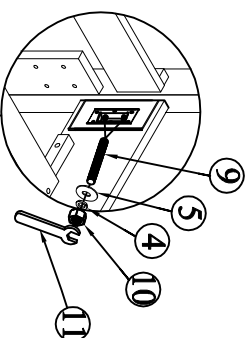
\* Replacable Part

## ASSEMBLY INSTRUCTION / NOTICE DE MONTAGE / INSTRUCCIONES DE MONTAJE

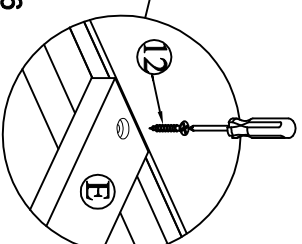
ITEM / NO D'ARTICLE / ARTICULO.: S826-270/271/400  
 DESCRIPTION / DESCRIPTION: Headboard / Tête de lit / Cabecera

Footboard / Pied de lit / Pie de cama  
 Side Rails/ Côtés de lit / Largueros laterales

### STEP 4 ÉTAPE 4 PASO 4

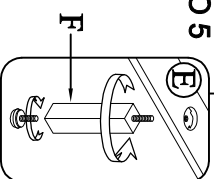


### STEP 6 ÉTAPE 6 PASO 6



Phillips head screwdriver / Not included  
 Tournevis Phillips / Non compris  
 Destornillador de estrella / No incluido

### STEP 5 ÉTAPE 5 PASO 5



Adjustable leveler  
 Patin réglable  
 Nivelador ajustable

\* Replaceable Part



## REPLACEABLE PART / PARTIE REMPLACABLE / PARTE REEMPLAZABLE

ITEM / NO D'ARTICLE / ARTICULO.: S826-270/271/400  
DESCRIPTION / DESCRIPCION :

Headboard / Tête de lit / Cabecera  
Footboard / Pied de lit / Pie de cama  
Side Rails/ Côtés de lit / Largueros laterales



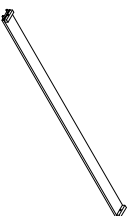
x1 RS826-270-LEG-R-Right Leg  
Pattée de droite  
Pata derecha \*



x1 RS826-270-LEG-L-Left Leg  
Pattée de gauche  
Pata izquierda \*



x1 RS826-270-HWKT-Hardware Kit List  
Liste des pièces de quincaillerie  
Lista del kit de materiales



x1 RS826-270-STBE-Bottom Rail  
Traverse inférieure  
Carril inferior \*



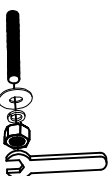
x10 RS826-271-SILEG-Support Leg  
Pattes de supports  
Patas de apoyo de lisones \*



x5 RS826-271-SLAT-Slat  
Lattes  
Listones \*



x2 RS826-271-MEML-Metal leg  
Pied en métal  
Pata metálica \*



x1 RS826-400-HWKT-Hardware Kit List  
Liste des pièces de quincaillerie  
Lista del kit de materiales \*



x1 RS826-271-HWKT-Hardware Kit List  
Liste des pièces de quincaillerie  
Lista del kit de materiales \*



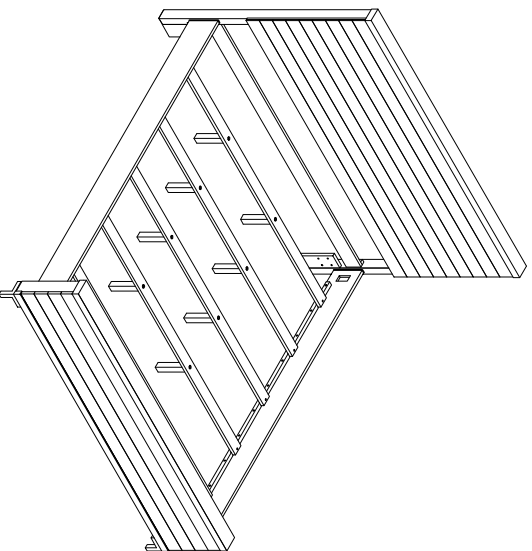
x10 RS826-271-SCREW-Wood Screw  
Vis à bois  
Tornillo para madera \*



x10 RS826-271-BROWN-Brown leveler  
Niveleur marron  
Nivelador marrón \*



x2 RS826-271-BLACK-Black leveler  
Niveleur noir  
Nivelador negro \*



\* Replaceable Part