

(A)  
 x1 Mirror  
 x1 Miroir  
 x1 Espejo



(B)  
 x2 Mirror Support \*  
 x2 Supporte de miroir  
 x2 Soporte del espejo



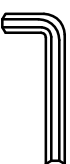
(C)  
 x8 Allen bolt  $\phi 1/4$ "x38mm \*  
 x8 Vis à tête creuse hexagonale  $\phi 1/4$ "x38mm  
 x8 Perno Allen  $\phi 1/4$ "x38mm



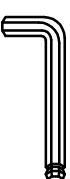
(D)  
 x8 Lock washer  $\phi 1/4$ " \*  
 x8 Rondelle de blocage  $\phi 1/4$ "  
 x8 Arandela de Seguridad  $\phi 1/4$ "



(E)  
 x8 Flat Washer  $\phi 1/4$ "x19x1.5mm \*  
 x8 Rondelle plate  $\phi 1/4$ "x19x1.5mm  
 x8 Arandela plana  $\phi 1/4$ "x19x1.5mm



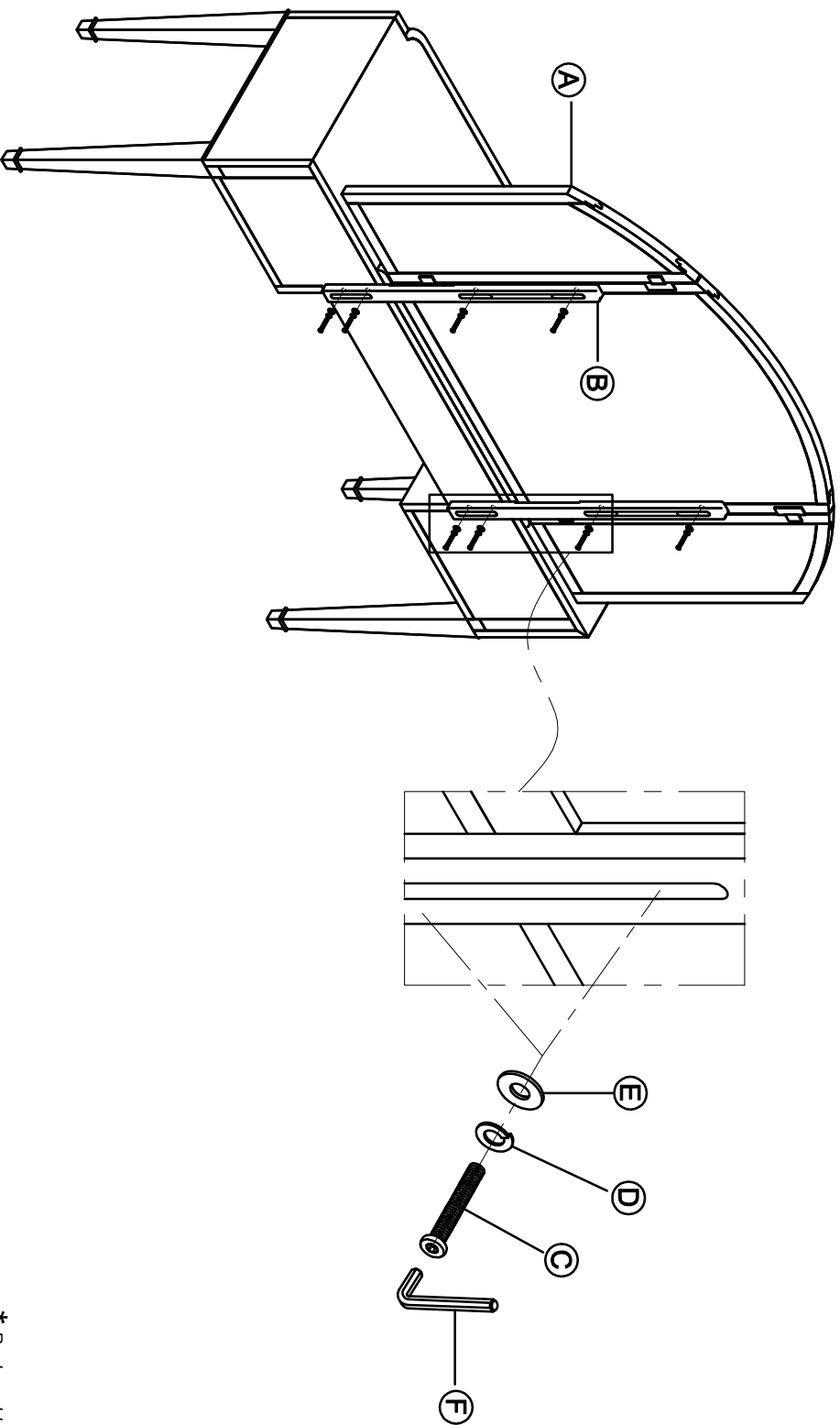
(F)  
 x1 Allen Key 4mm \*  
 x1 Clé hexagonale 4mm  
 x1 Llave Allen 4mm



(G)  
 x1 Allen Key 4mm\*100 \*  
 x1 Clé hexagonale 4mm\*100  
 x1 Llave Allen 4mm\*100

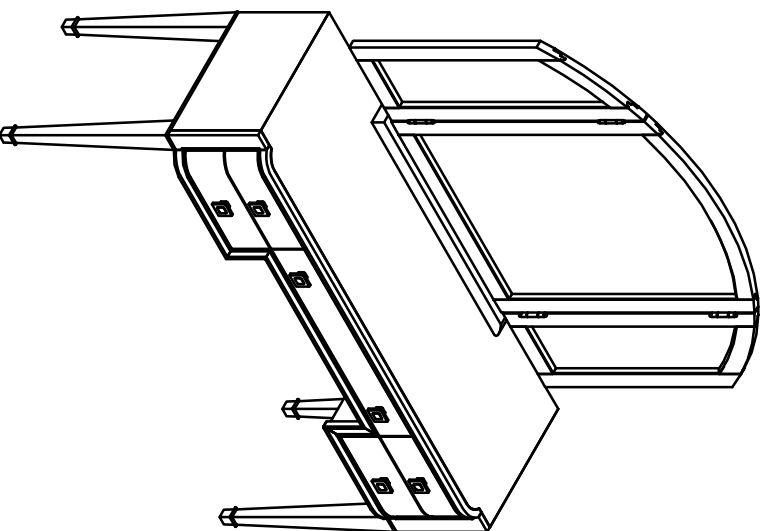
\* Replaceable Part

1



\* Replaceable Part

REPLACEABLE PART / PARTIE REMPLAÇABLE / PARTE REEMPLAZABLE  
ITEM NO. / ARTICLE NO. / ARTICULO NO. : P344135  
DESCRIPTION / LA DESCRIPCION / DESCRIPCIÓN : MIRROR / MIROIR / ESPEJO



x2 RP344135-MISU - Mirror Support \*  
Supporte de miroir  
Soporte del espejo



x1 RP344135-HWKIT - Hardware Kit \*  
Liste des pièces de quincaillerie  
Lista del kit de materiales

\* Replaceable Part

\*This statement applies to any floor without carpet.

If not careful, all furniture including upholstery and case pieces can scratch, scuff and even gouge floors. The recommendation is to have felt, rubber pads or area rugs under furniture on flooring without carpet.

### **Moving your furniture**

Pushing and dragging furniture over floors without carpet can lead to scratches and scuffs. Have someone help when moving the larger pieces of furniture by lifting, try using a dolly or moving pads.

### **Felt and rubber pads**

Applying furniture pads to the feet of furniture helps cushion contact points. Furniture pads can be found at local hardware stores. Felt pads slide easily across the floor, making them ideal for dining chairs and other pieces that move with use. Rubber pads will help furniture stay in place and are perfect for larger pieces, like sofas and loveseats.

### **Area rugs and rug pads**

Using an area rug under furniture is another way to protect your floor from scratches and scuff marks. A rug pad under the area rug will provide extra cushion and added protection.