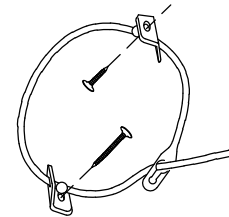


x4 Bun Foot *
x4 Pied en forme d'oignon
x4 Pata redonda



x1 Tipping restraint
x1 Liste des pièces de quincaillerie antibasculement
x1 Abrazadera antivuelco

**Replaceable Part*

WARNING



Children have died from furniture tipover. To reduce the risk of furniture tipover:

- ALWAYS install tipover restraint provided.
- NEVER put a TV on this product.
- NEVER allow children to stand, climb or hang on drawers, doors, or shelves.
- NEVER open more than one drawer at a time.
- Place heaviest items in the lowest drawers.

This is a permanent label. Do not remove!

STEP 1

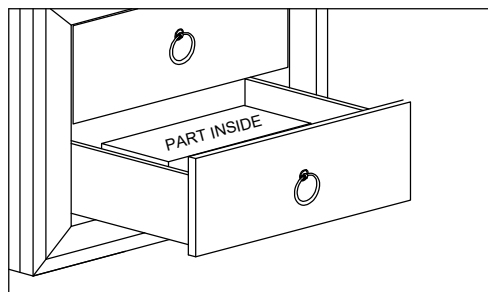
Fasten The Leg As Shown.

ÉTAPE 1

Attachez la jambe Comme Indiqué.

PASO 1

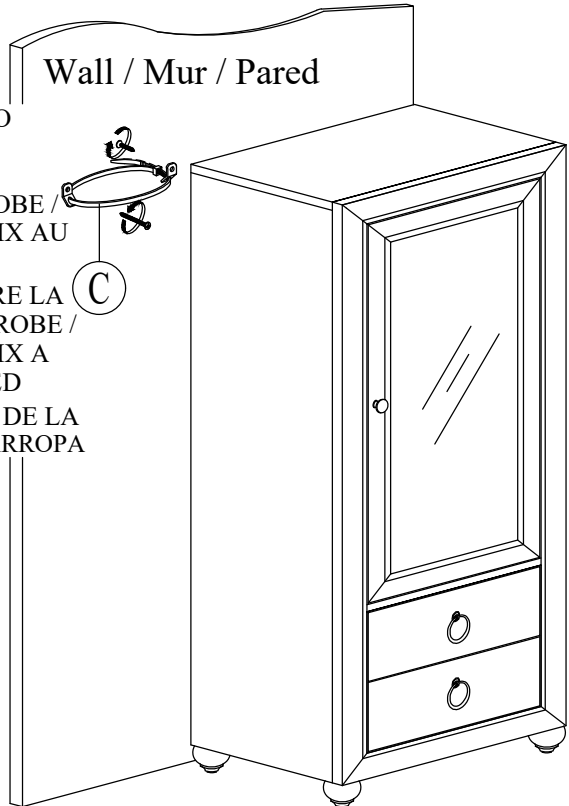
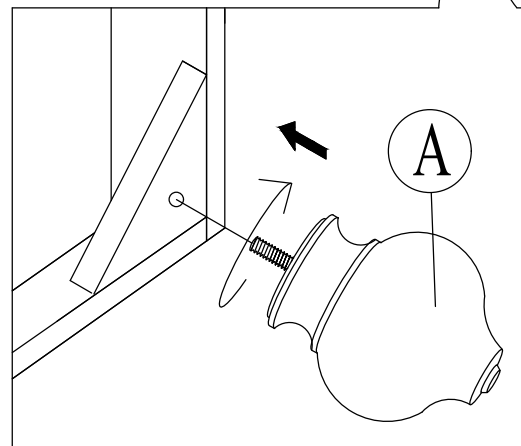
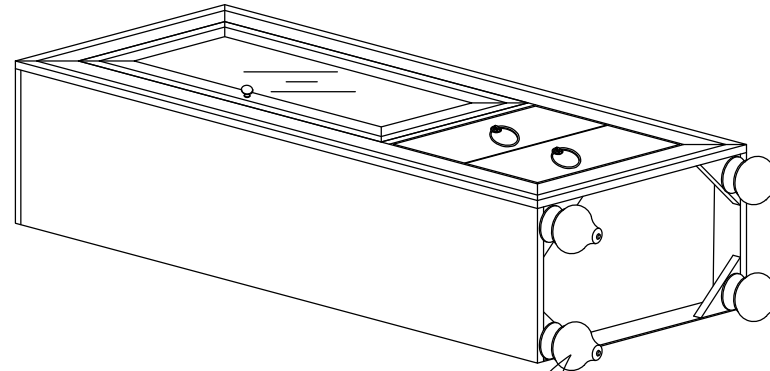
Sujete la Pierna Como Se Muestra .



BUN FOOTS (PACKED INSIDE DRAWER)

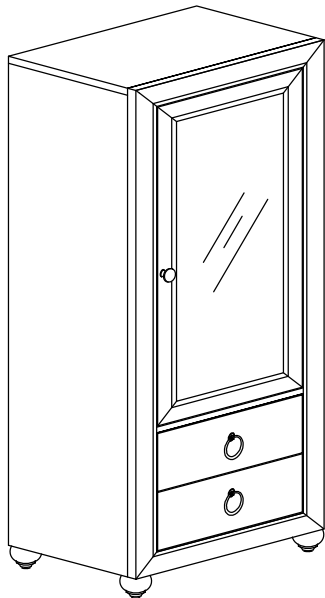
PIED EN FORME D'OIGNON (EMBALLÉS À L'INTÉRIEUR DU TIROIR)

PATA REDONDA (EMPAQUETADO DENTRO DEL CAJÓN

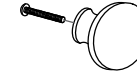


AFFIX TO
WALL
BEHIND
WARDROBE /
KENAFFIX AU
MUR
DERRIÈRE LA
GARDE-ROBE /
KENAFFIX A
LA PARED
DETRÁS DE LA
GUARDARROPA

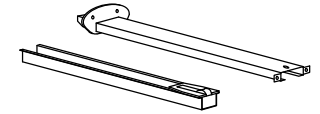
**Replaceable Part*



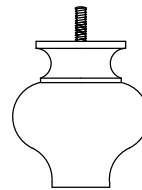
x2 RS458-410-PULL *
Pull with Screw
Tirer + vis
Tirer + Tornillo



x1 RS458-445-KNOB *
Knob with Screw
Poignée + vis
Tirador + Tornillo



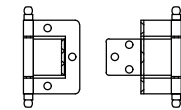
x2 RS458-410-DG *
Drawer Glide
Glissière
Carril de deslizamiento



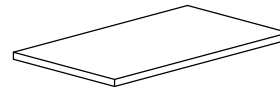
x4 RS458-410-FOOT *
Bun Foot
Pied en forme d'oignon
Pata redonda



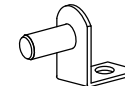
x4 RC-BR-NAIL *
Brown Plastic Nail
Clou en plastique
Clavo de plástico



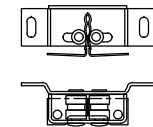
x2 RS458-445-HINGE *
Door Hinge
Charnière de porte
Bisagra de la puerta



x2 RS458-445-Shelf *
Wood Shelf
Étagère
Estante



x8 RS458-445-CLIP *
Shelf Clip
Clip D'étagère
Clip De Estante



x2 RS458-445-CATCH *
Roller Catch
Attrape-Rouleaux
Retenes De Rodillo

**Replaceable Part*

Protect Your Wood or Laminate Flooring

*This statement applies to any floor without carpet.

If not careful, all furniture including upholstery and case pieces can scratch, scuff and even gouge floors. The recommendation is to have felt, rubber pads or area rugs under furniture on flooring without carpet.

Moving your furniture

Pushing and dragging furniture over floors without carpet can lead to scratches and scuffs. Have someone help when moving the larger pieces of furniture by lifting, try using a dolly or moving pads.

Felt and rubber pads

Applying furniture pads to the feet of furniture helps cushion contact points. Furniture pads can be found at local hardware stores. Felt pads slide easily across the floor, making them ideal for dining chairs and other pieces that move with use. Rubber pads will help furniture stay in place and are perfect for larger pieces, like sofas and loveseats.

Area rugs and rug pads

Using an area rug under furniture is another way to protect your floor from scratches and scuff marks. A rug pad under the area rug will provide extra cushion and added protection.