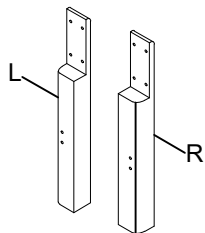
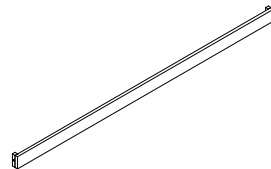


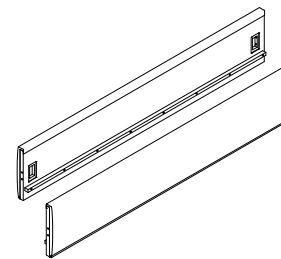
x1 Headboard panel
 x1 Tête de lit
 x1 Panel de la cabecera



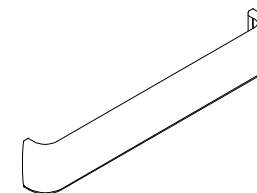
x1 Headboard Legs (Left & Right)
 x1 Pattes de la tête de lit (gauche et droite)
 x1 Patas de cabecera (izquierda y derecha)



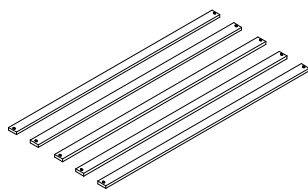
x1 Stretcher
 x1 Traverse
 x1 Travesaño



x2 Side rail
 x2 Côtés de lit
 x2 Riel lateral



x1 Footboard
 x1 Pied de lit
 x1 Pie de cama



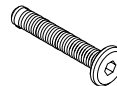
x5 Slats
 x5 Bancs de lit
 x5 Listones



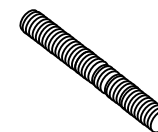
x2 Leg FB
 x2 Pattes de pied de lit
 x2 Patas del pie de cama



x10 Middle Leg
 x10 Patte centrale
 x10 Pata central



x10 Bolt Ø5/16"xL38mm
 x10 Vis à tête creuse hexagonale Ø5/16"xL38mm
 x10 Perno Allen Ø5/16"xL38mm



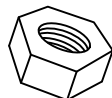
x8 Bolt Ø5/16"x3-1/4"
 x8 Vis à tête creuse hexagonale Ø5/16"x3-1/4"
 x8 Perno Allen Ø5/16"x3-1/4"



x18 Flat Washer Ø5/16"
 x18 Rondelle plate Ø5/16"
 x18 Arandela plana Ø5/16"



x18 Lock washer Ø5/16"
 x18 Rondelle de blocage Ø5/16"
 x18 Arandela de Seguridad Ø5/16"



x8 Hex nut Ø5/16"
 x8 Écrou hexagonal Ø5/16"
 x8 Tuerca hexagona Ø5/16"



x10 Wood Screw #8x25mm
 x10 Vis à bois #8x25mm
 x10 Tornillo para madera #8x25mm



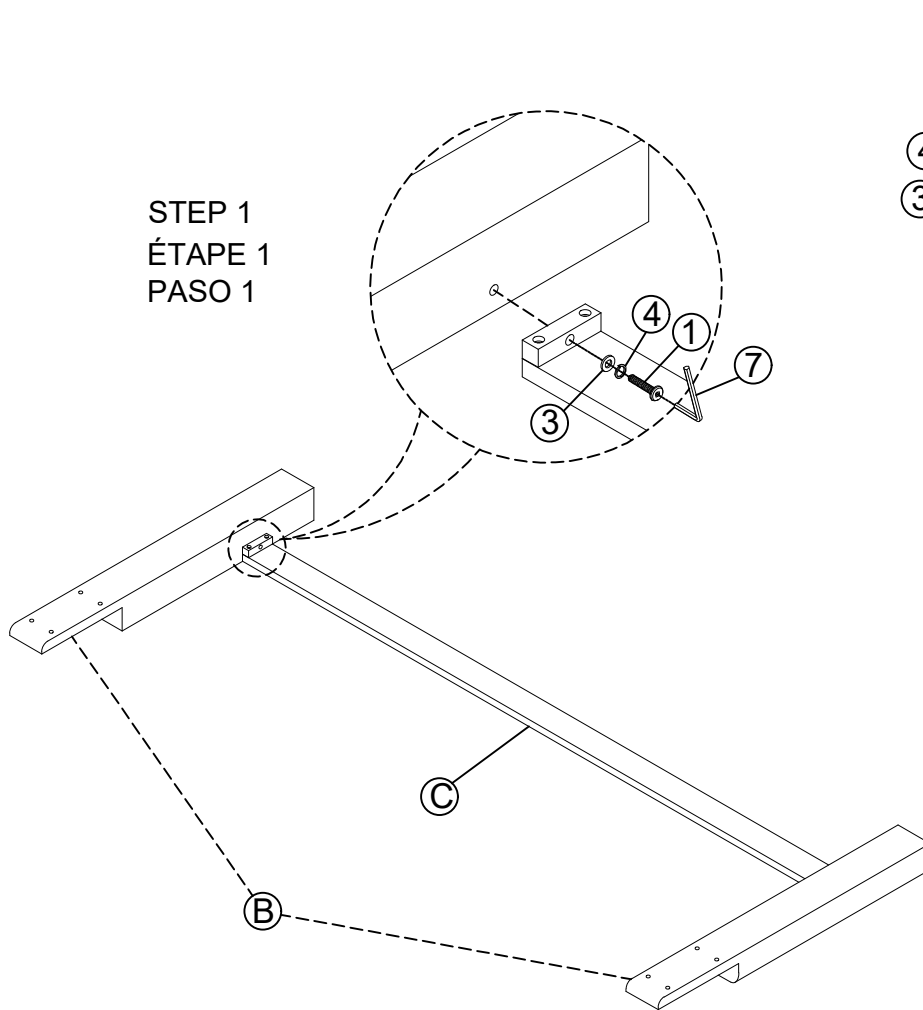
x1 Allen Key 5mm
 x1 Clé hexagonale 5mm
 x1 Llave Allen 5mm



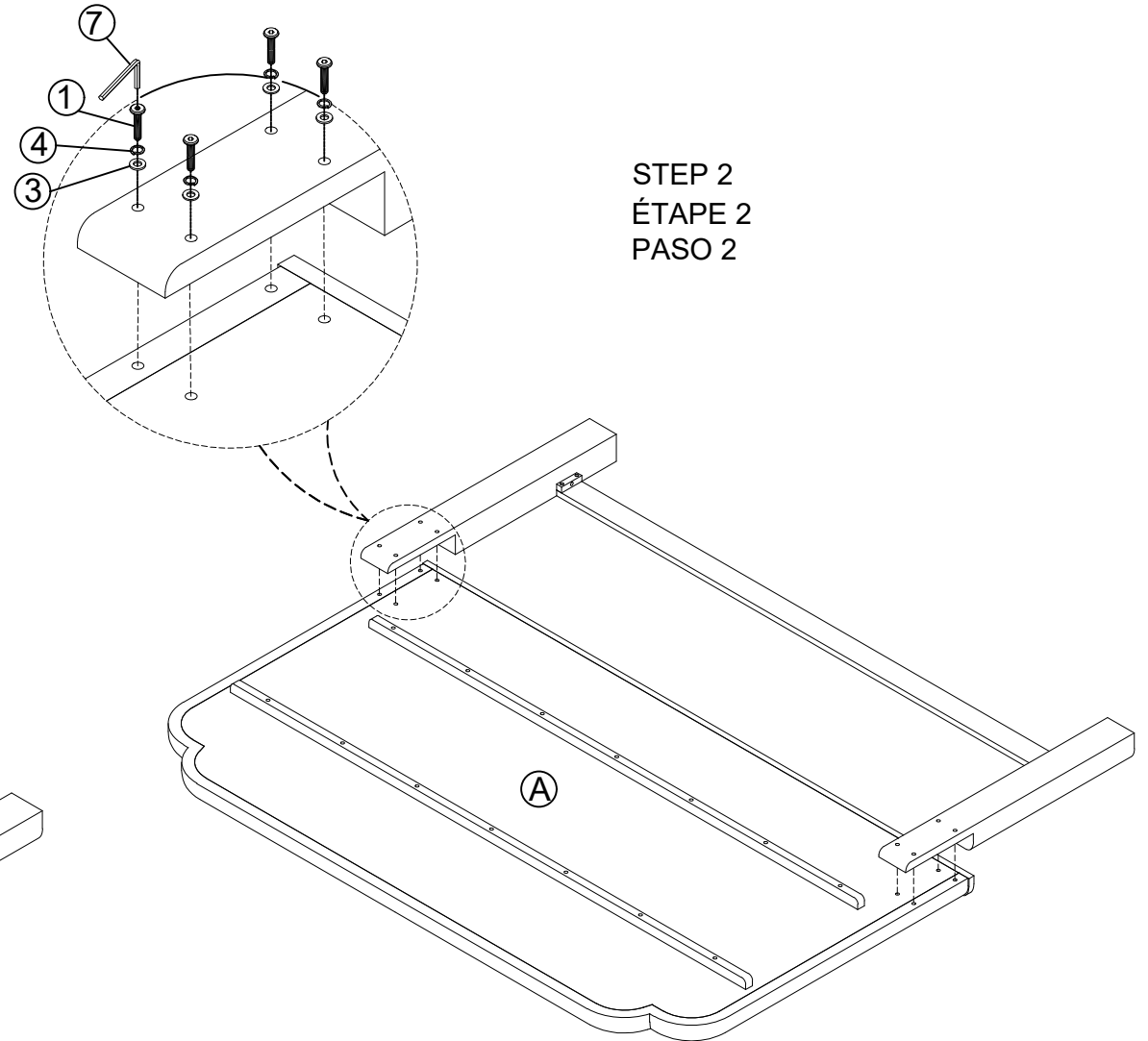
x1 Open Wrench Ø5/16"
 x1 Clé à fourche Ø5/16"
 x1 Llave de boca Ø5/16"

* Replaceable Part

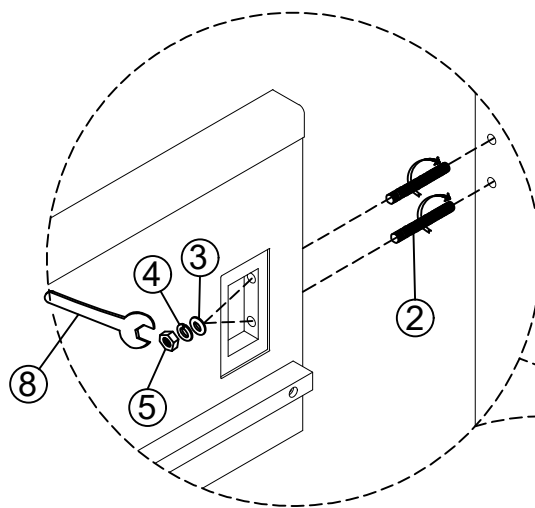
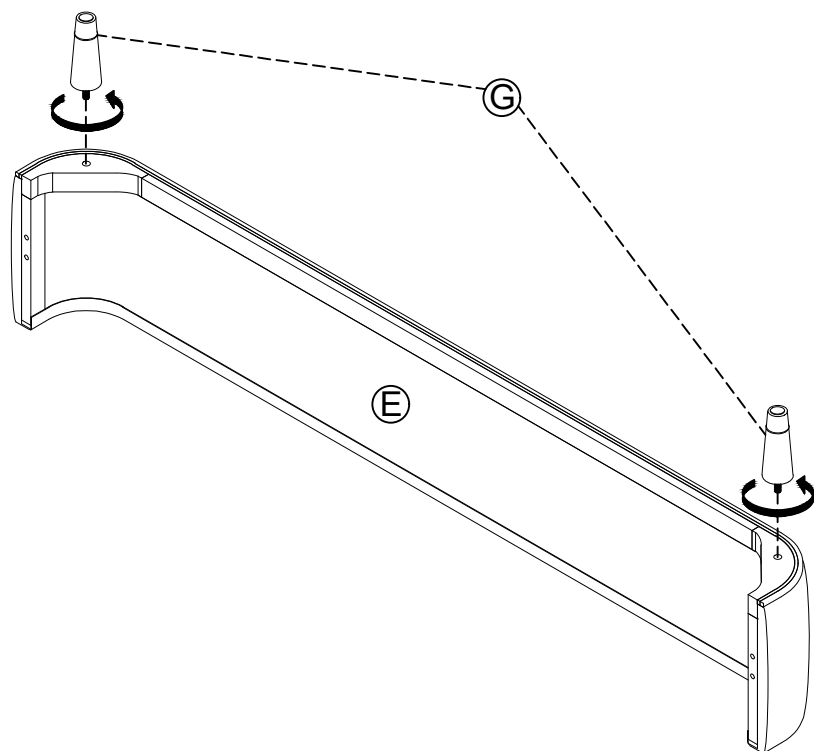
STEP 1
 ÉTAPE 1
 PASO 1



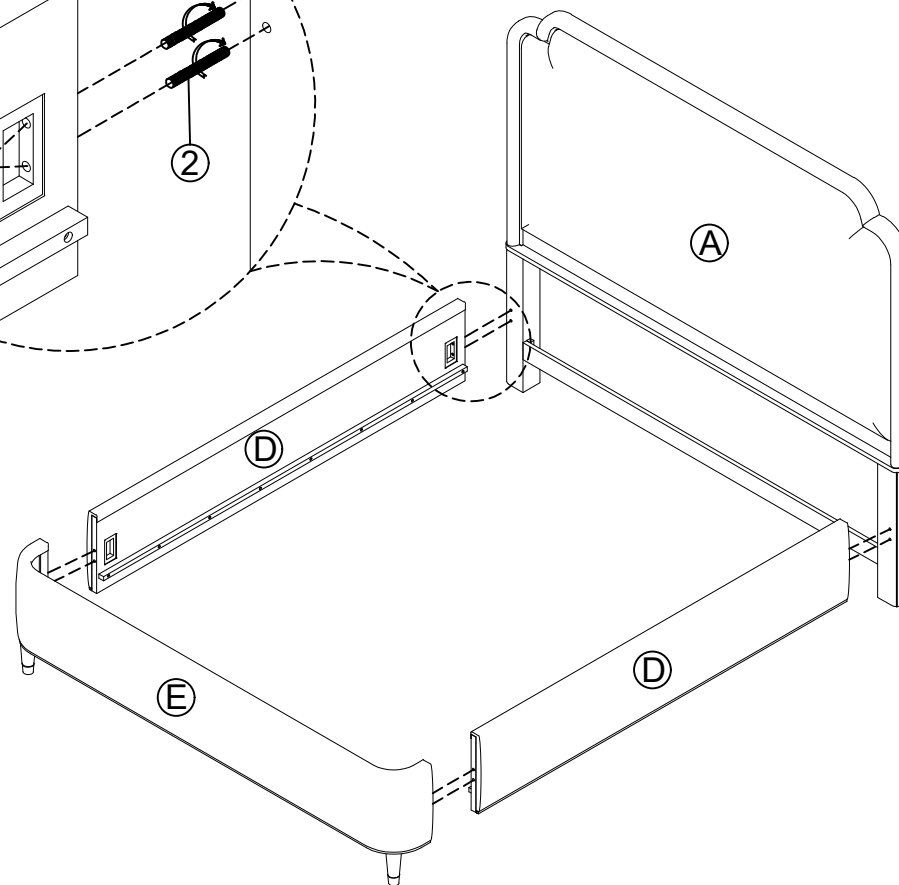
STEP 2
 ÉTAPE 2
 PASO 2



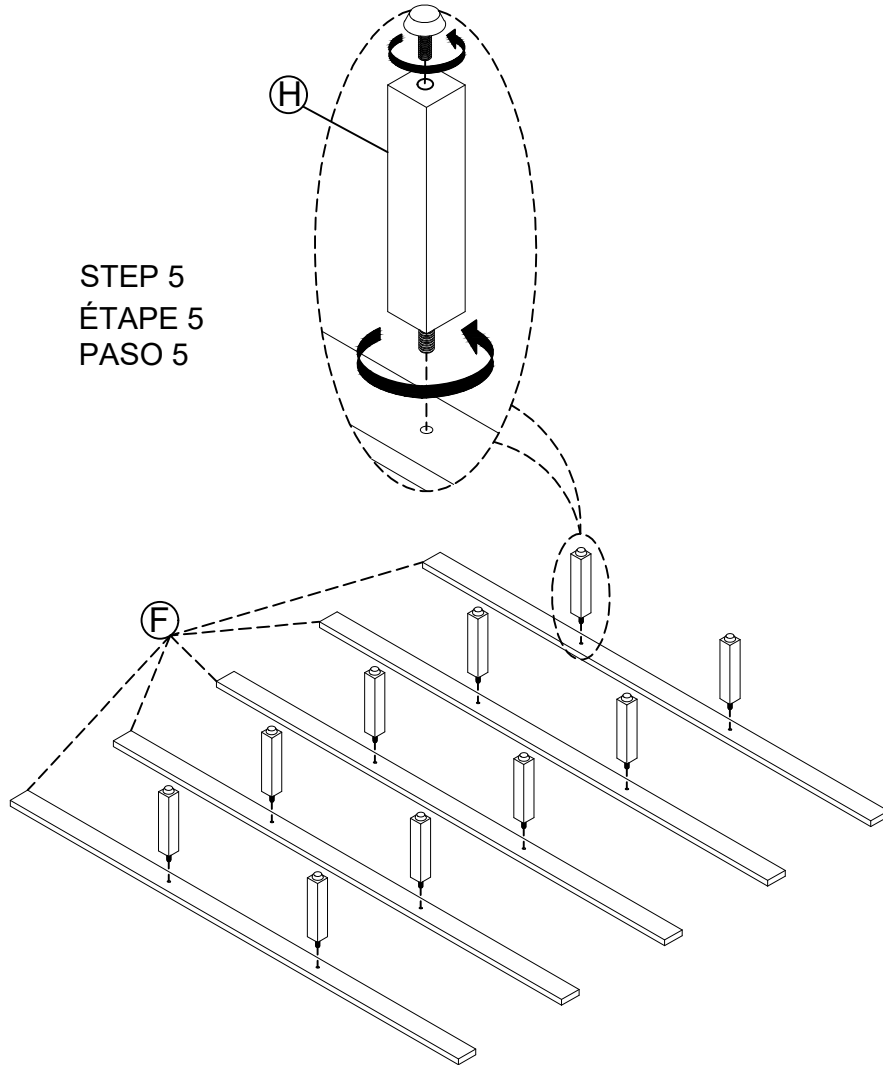
STEP 3
ÉTAPE 3
PASO 3



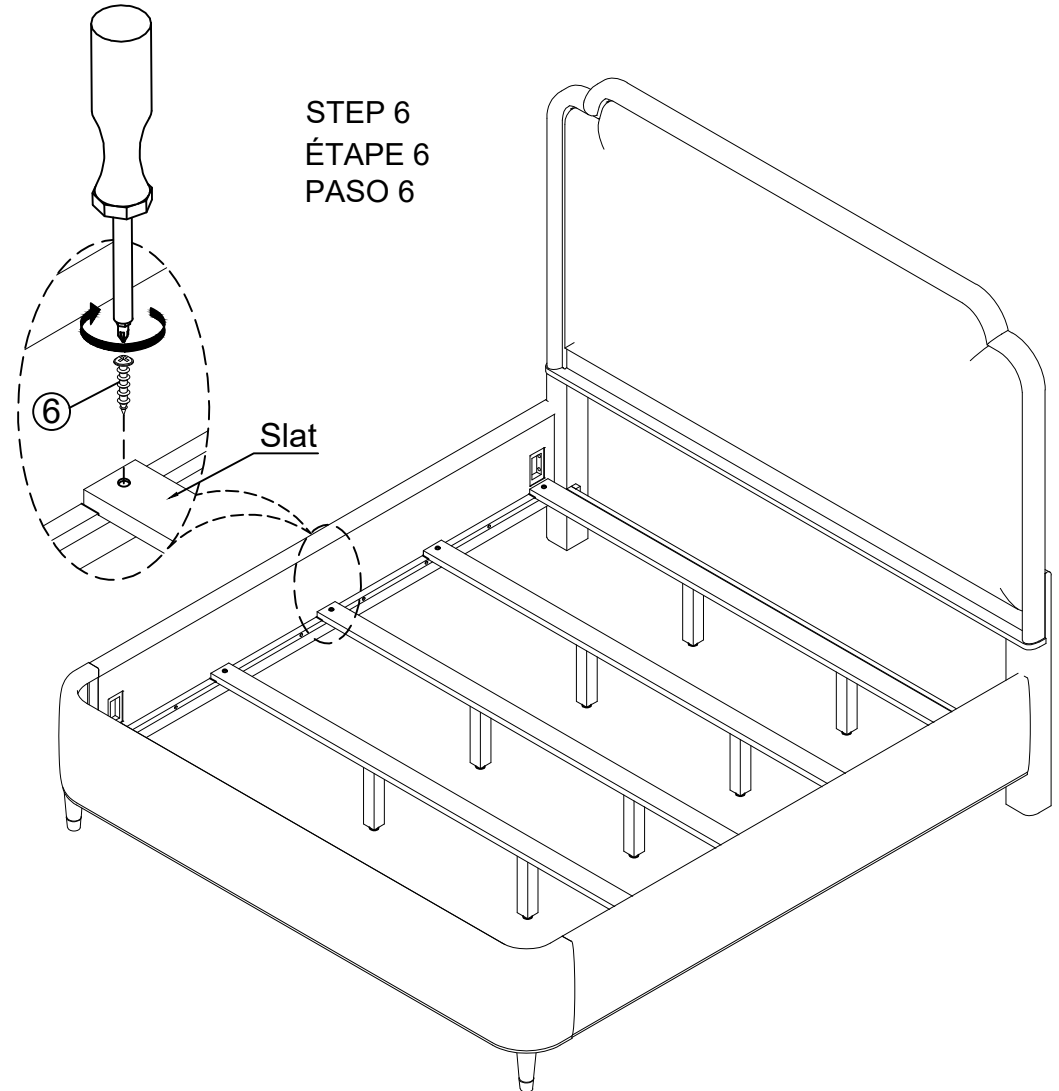
STEP 4
ÉTAPE 4
PASO 4

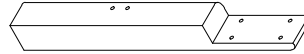
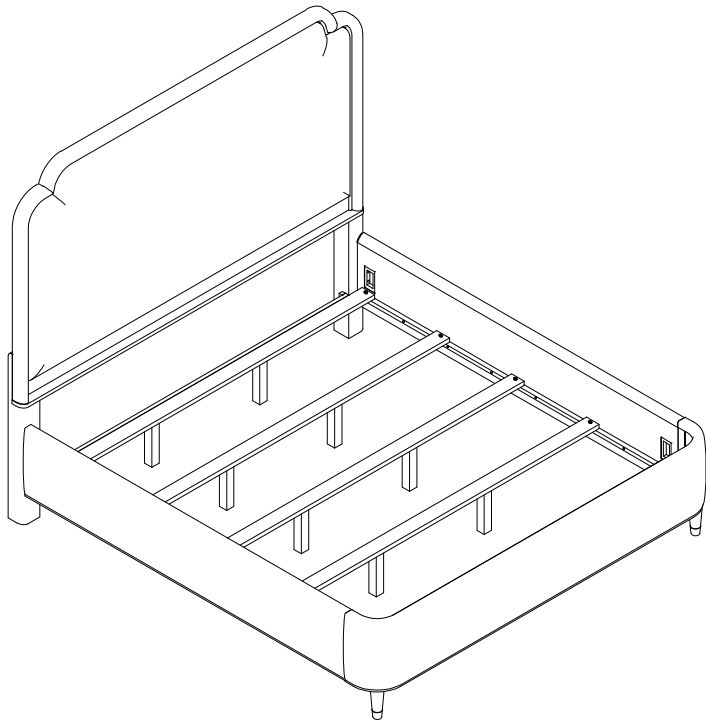


STEP 5
ÉTAPE 5
PASO 5

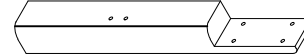


STEP 6
ÉTAPE 6
PASO 6

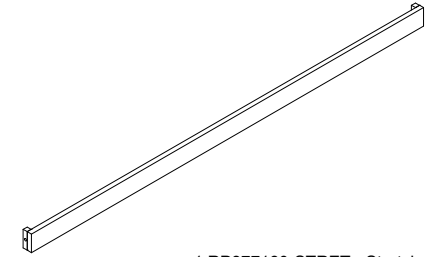




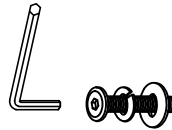
x1 RP377170-LEGL-Left Leg
 Patte de gauche
 Pata izquierda



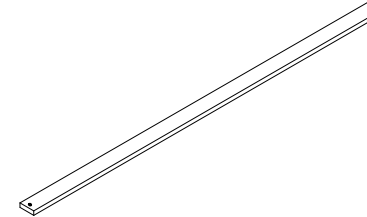
x1 RP377170-LEGR-Right Leg
 Patte de droite
 Pata derecha



x1 RP377180-STRET - Stretcher
 - Traversa
 - Travesaño



x1 RP377170-HWKIT-Hardware kit list
 - Liste des pièces de quincaillerie
 - Lista del kit de materiales



x5 RP377181-SLAT- Slat
 - Lattes
 - Listones



x10 RP377171-SULEG - Slat Support
 - Pied
 - Pata de soporte



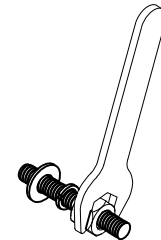
x10 RP377171-SCREW- Slat Screw
 -Vis à bois
 -Tornillo para madera



x10 RC-FG-WHITE - White Leveler
 - Patin réglable
 - Nivelador



x2 RP377171-FOOT- FB Foot with Metal
 - Pied
 - Pie



x1 RP377172-HWKIT-Hardware kit list
 - Liste des pièces de quincaillerie
 -Lista del kit de materiales

Protect Your Wood or Laminate Flooring

*This statement applies to any floor without carpet.

If not careful, all furniture including upholstery and case pieces can scratch, scuff and even gouge floors. The recommendation is to have felt, rubber pads or area rugs under furniture on flooring without carpet.

Moving your furniture

Pushing and dragging furniture over floors without carpet can lead to scratches and scuffs. Have someone

help when moving the larger pieces of furniture by lifting, try using a dolly or moving pads.

Felt and rubber pads

Applying furniture pads to the feet of furniture helps cushion contact points. Furniture pads can be found at local hardware stores. Felt pads slide easily across the floor, making them ideal for dining chairs and other pieces that move with use. Rubber pads will help furniture stay in place and are perfect for larger pieces, like sofas and loveseats.

Area rugs and rug pads

Using an area rug under furniture is another way to protect your floor from scratches and scuff marks. A rug pad under the area rug will provide extra cushion and added protection.