

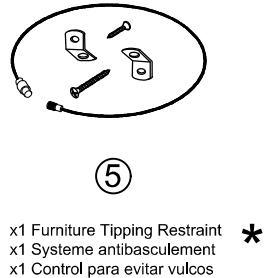
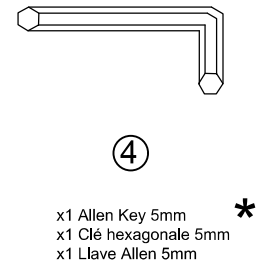
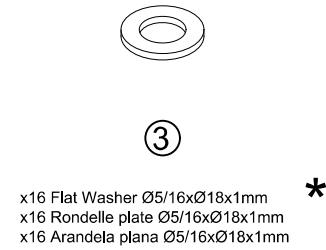
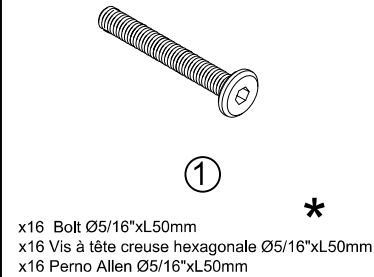
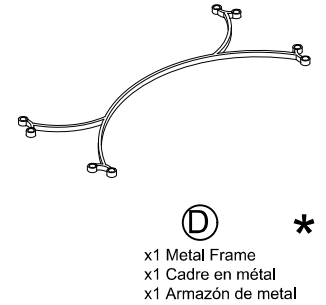
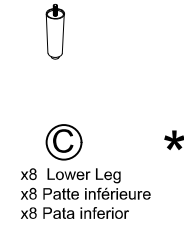
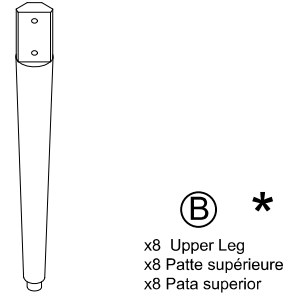
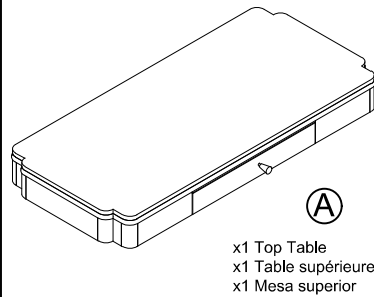
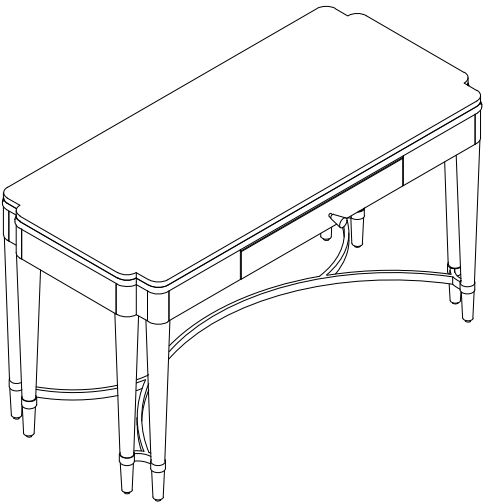
WARNING



Children have died from furniture tipover. To reduce the risk of furniture tipover:

- ALWAYS install tipover restraint provided.
- NEVER put a TV on this product.
- NEVER allow children to stand, climb or hang on drawers, doors, or shelves.
- NEVER open more than one drawer at a time.
- Place heaviest items in the lowest drawers.

This is a permanent label. Do not remove!



* Replaceable Part

WARNING



Children have died from furniture tipover. To reduce the risk of furniture tipover:

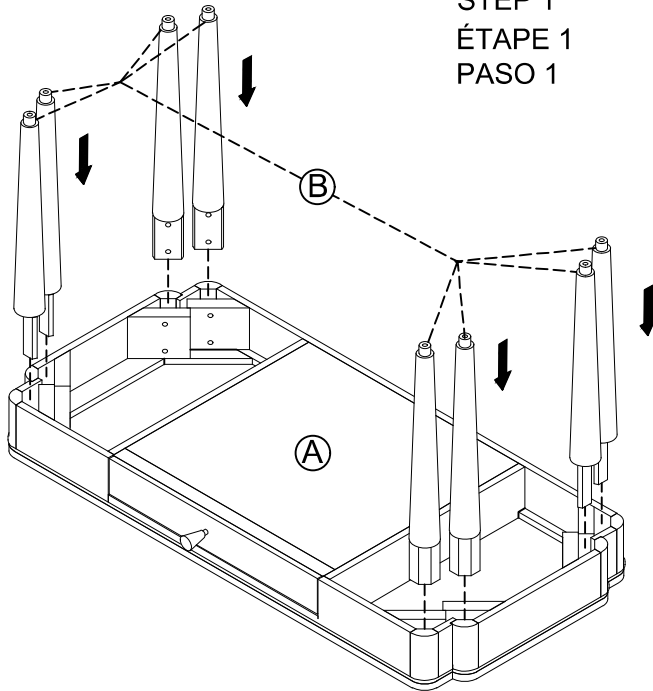
- ALWAYS install tipover restraint provided.
- NEVER put a TV on this product.
- NEVER allow children to stand, climb or hang on drawers, doors, or shelves.
- NEVER open more than one drawer at a time.
- Place heaviest items in the lowest drawers.



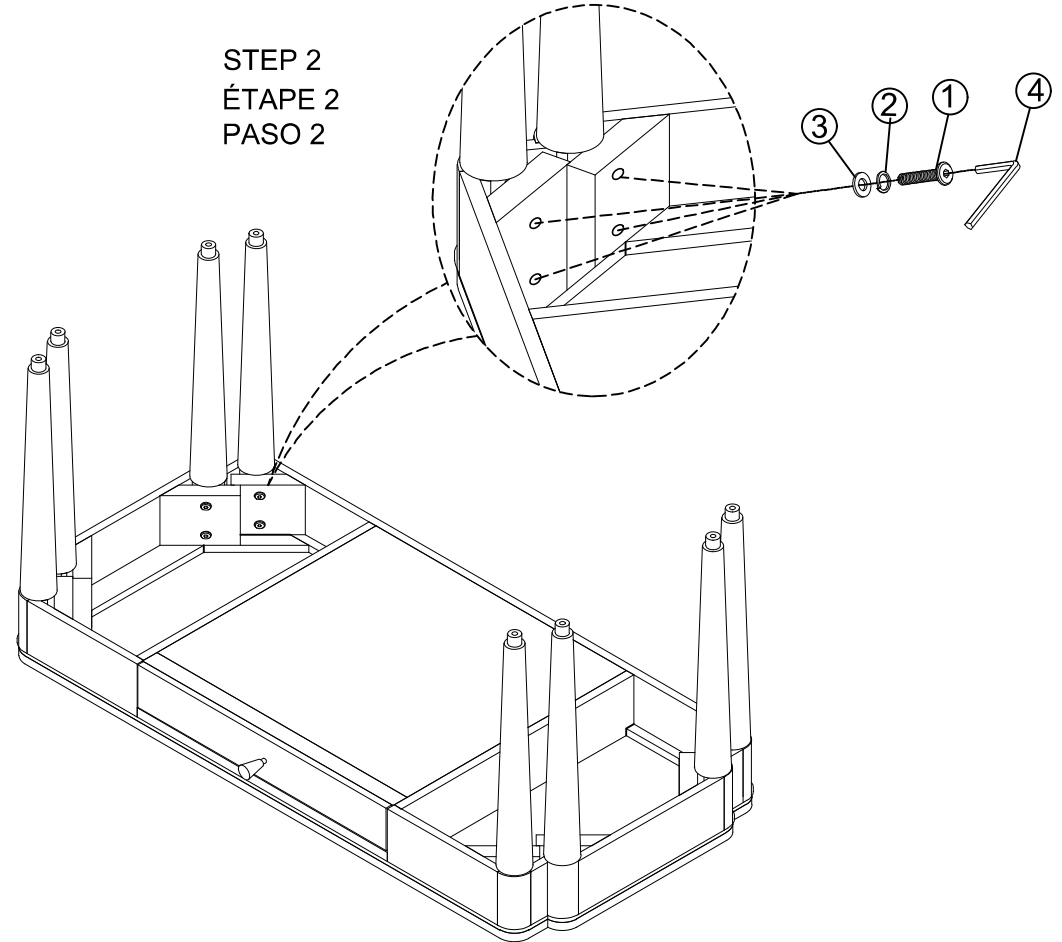
This is a permanent label. Do not remove!

Note: When assembly the legs to the tabletop, you need to loosen the screws first, then put the iron frame in before tightening

STEP 1 ÉTAPE 1 PASO 1



STEP 2 ÉTAPE 2 PASO 2



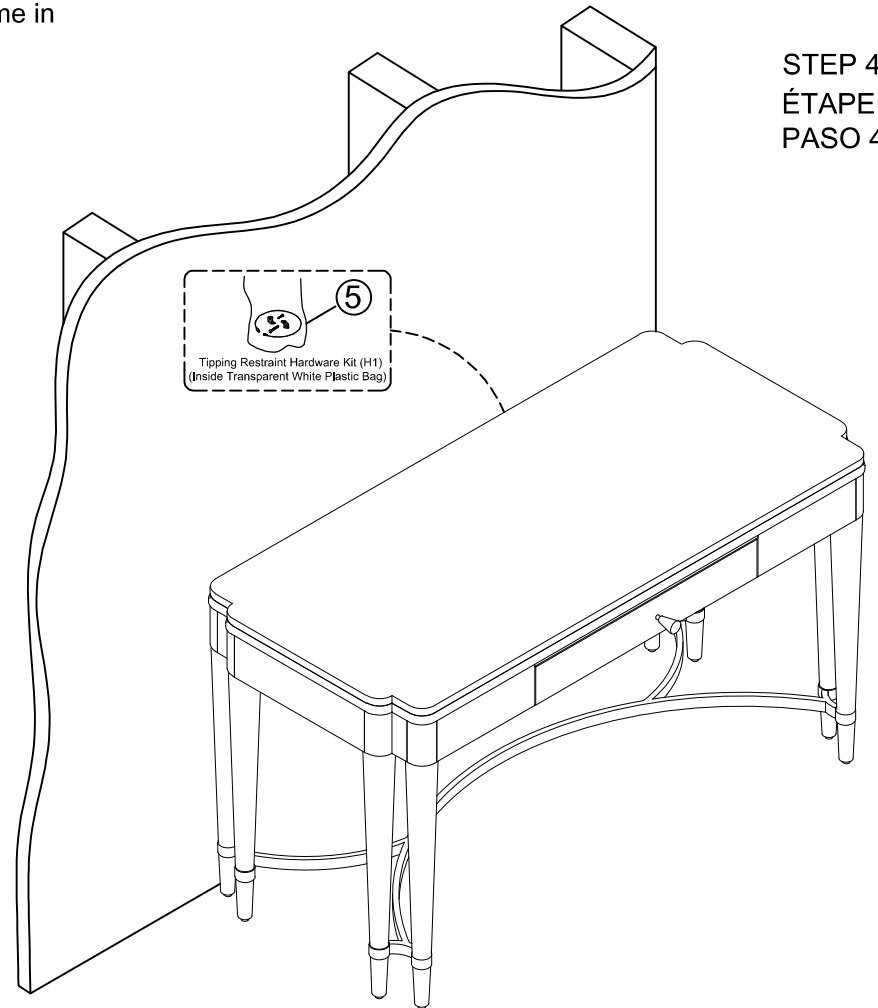
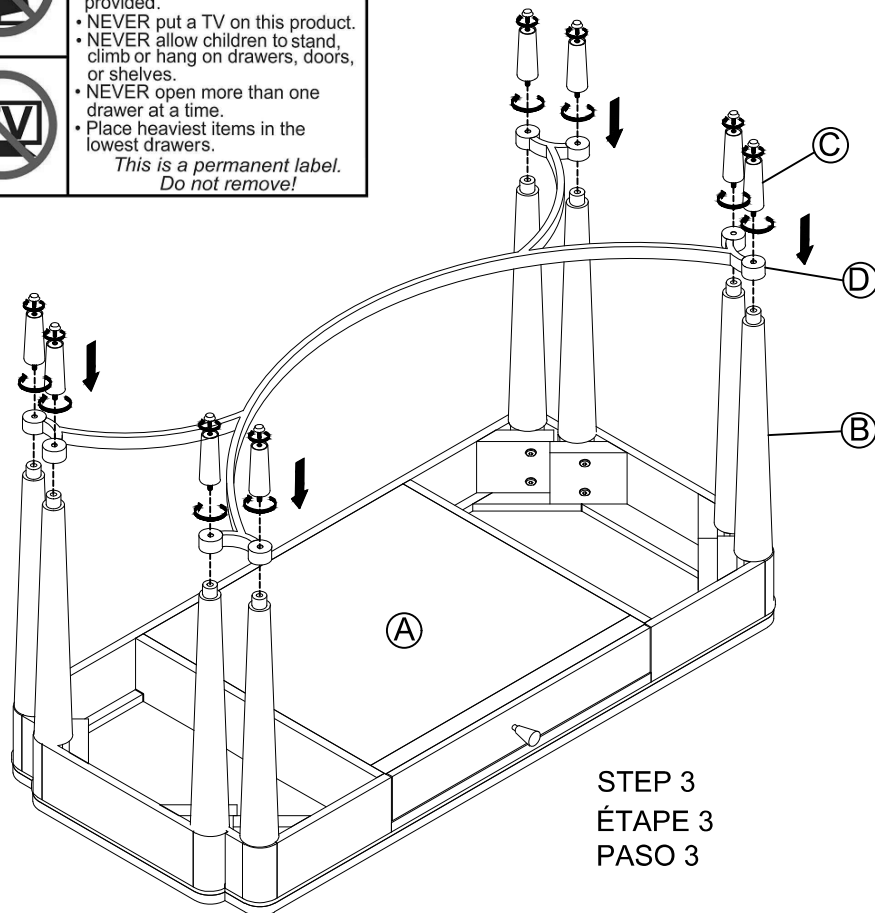
WARNING

Children have died from furniture tipover. To reduce the risk of furniture tipover:

- ALWAYS install tipover restraint provided.
- NEVER put a TV on this product.
- NEVER allow children to stand, climb or hang on drawers, doors, or shelves.
- NEVER open more than one drawer at a time.
- Place heaviest items in the lowest drawers.

This is a permanent label. Do not remove!

Note: When assembly the legs to the tabletop, you need to loosen the screws first, then put the iron frame in before tightening



⚠ WARNING



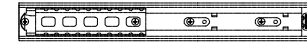
Children have died from furniture tipover. To reduce the risk of furniture tipover:

- ALWAYS install tipover restraint provided.
- NEVER put a TV on this product.
- NEVER allow children to stand, climb or hang on drawers, doors, or shelves.
- NEVER open more than one drawer at a time.
- Place heaviest items in the lowest drawers.

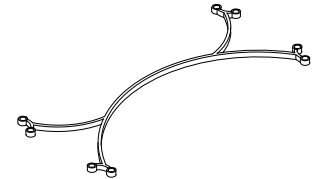
*This is a permanent label.
Do not remove!*



x1 RP377134-KNOB- Knob with Screw
- Poignée et vis
- Tirador y Tornillo



1 Set COMGLIDE-10-45 -Common Glide
- Glissière
- Carril de deslizamiento



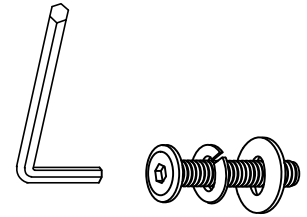
x1 RP377134-FRAME- Metal Frame
- Cadre en métal
- Armazón de metal



x8 RP377134-LEGU- Upper Vanity Leg
- Patte supérieure
- Pata superior



x8 RP377134-LEGL - Lower Vanity Leg
- Patte inférieure
- Pata inferior



x1 RP377-134-HWKIT- Hardware kit list
- Liste des pièces de quincaillerie
- Lista del kit de materiales



x1 RC-ANTI-TIP-M - Metal Anti- tip kit
- Systeme antibasculément
- Control para evitar vulcos



x8 RC-FG-WHITE - White Leveler
- Patin réglable
- Nivelador

Protect Your Wood or Laminate Flooring

*This statement applies to any floor without carpet.

If not careful, all furniture including upholstery and case pieces can scratch, scuff and even gouge floors. The recommendation is to have felt, rubber pads or area rugs under furniture on flooring without carpet.

Moving your furniture

Pushing and dragging furniture over floors without carpet can lead to scratches and scuffs. Have someone help when moving the larger pieces of furniture by lifting, try using a dolly or moving pads.

Felt and rubber pads

Applying furniture pads to the feet of furniture helps cushion contact points. Furniture pads can be found at local hardware stores. Felt pads slide easily across the floor, making them ideal for dining chairs and other pieces that move with use. Rubber pads will help furniture stay in place and are perfect for larger pieces, like sofas and loveseats.

Area rugs and rug pads

Using an area rug under furniture is another way to protect your floor from scratches and scuff marks. A rug pad under the area rug will provide extra cushion and added protection.