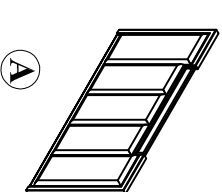
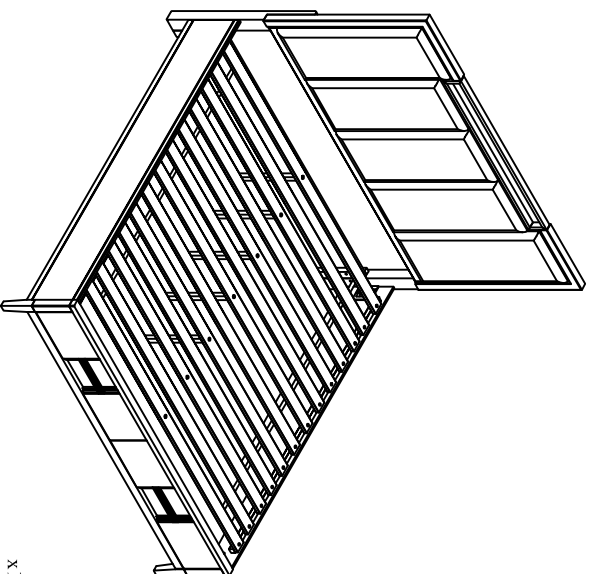
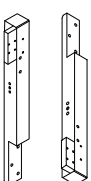


5/0 Panel Storage FB & Slat Roll - Pied de grand lit avec rangement (avec rouleau de lattes) - Pie de cama con cajones de 5/0 (con marco de listones)
5/0-6/6 Side Rails - Traverses de grand lit et très grand lit - Juego de travesaños laterales de cama de 5/0 y 6/6



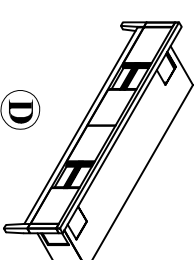
x1 Headboard panel
x1 Tête de lit
x1 Panel de la cabecera



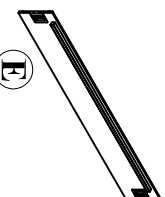
x2 Headboard Legs* (Left & Right) *
x2 Pattes de la tête de lit (gauche et droite)
x2 Patas de cabecera (izquierda y derecha)



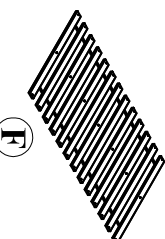
x1 Safety Rail*
x1 Garde-corps
x1 Baranda de seguridad



x1 Storage Panel FB
x1 Pied de lit avec rangement
x1 Pie de cama con almacenamiento



x2 Side Rail
x2 Traverse
x2 Travesaño lateral



x1 Slat Roll
x1 Banes de lit
x1 Listones



x5 Slat Support Leg*
x5 Pattes centrales
x5 Patas centrales



x8 Allen bolt Ø5/16"-18 x 45mm*
x8 Vis à tête creuse hexagonale Ø5/16"-18 x 45mm
x8 Perno Allen Ø5/16"-18 x 45mm



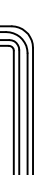
x16 Lock washer Ø5/16" *
x16 Rondelle de blocage Ø5/16" *
x16 Arandela de Seguridad Ø5/16" *



x8 Flat Washer Ø5/16"x19x1.5mm*
x8 Rondelle plate Ø5/16"x19x1.5mm
x8 Arandela plana Ø5/16"x19x1.5mm



x8 Flat Washer Ø5/16"x16x1.5mm*
x8 Rondelle plate Ø5/16"x16x1.5mm
x8 Arandela plana Ø5/16"x16x1.5mm



x1 Allen Key 4mm*
x1 Clé hexagonale 4mm
x1 Llave Allen 4mm



x8 Hanger bolt Ø5/16x 88mm*
x8 Boulon-vis Ø5/16x 88mm
x8 Perno de suspensión Ø5/16x 88mm



x8 Hex nut*
x8 Écrou hexagonal
x8 Tuerca hexagonal



x1 Hex Wrench*
x1 Clé hexagonale
x1 Llave hexagonal



x26 Wood Screw #8x35mm*
x26 Vis à bois #8x35mm
x26 Tornillo para madera #8x35mm

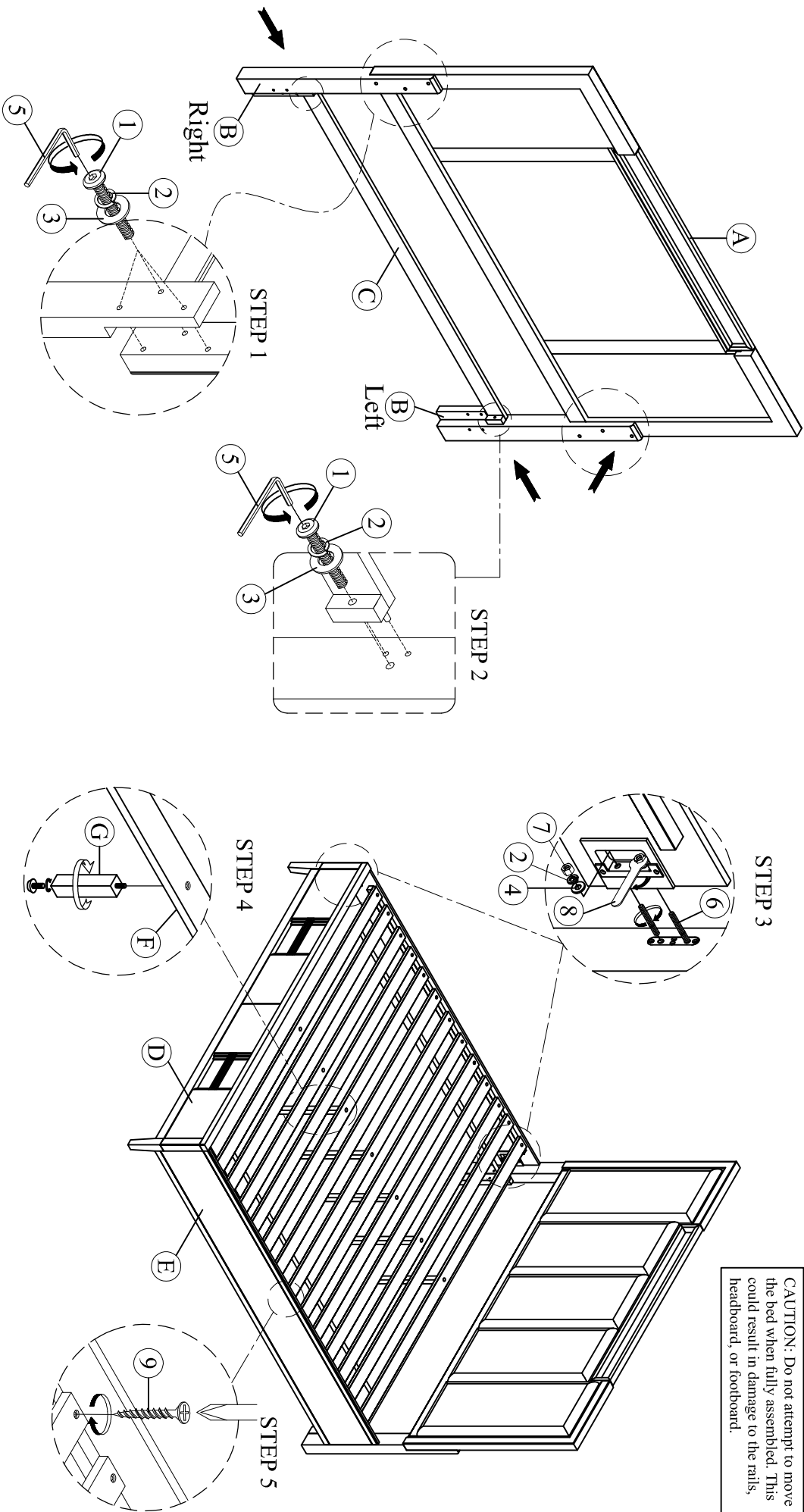
*Replaceable Part

ITEM / NO D' ARTICLE / ARTICULO : S952-250/256/400

DESCRIPTION / DESCRIPCIÓN: 5/0 UPH Panel HB - Tête de grand lit capitonnée - Cabecera tapizada de 5/0

5/0 Panel Storage FB & Slat Roll - Pied de grand lit avec rangement (avec rouleau de lattes) - Pie de cama con cajones de 5/0 (con marco de listones)

5/0-6/6 Side Rails - Traverses de grand lit et très grand lit - Juego de travesaños laterales de cama de 5/0 y 6/6

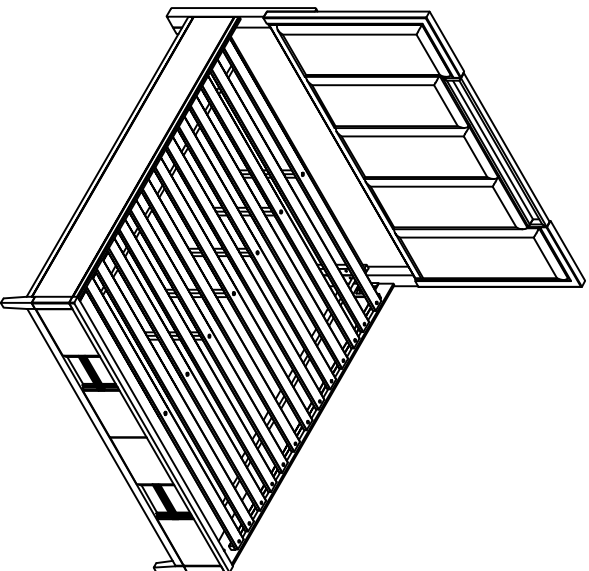


ITEM / NO D'ARTICLE / ARTICULO : S952-250/256/400

DESCRIPTION / DESCRIPCIÓN: 5/0 UPH Panel HB - Tête de grand lit capitonnée - Cabecera tapizada de 5/0

5/0 Panel Storage FB & Slat Roll - Pied de grand lit avec rangement (avec rouleau de lattes) - Pie de cama con cajones de 5/0 (con marco de listones)

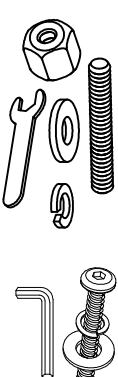
5/0-6/6 Side Rails - Traverses de grand lit et très grand lit - Juego de travesaños laterales de cama de 5/0 y 6/6



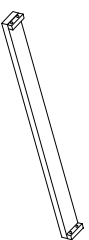
x1 RS952-250-LEGL - Left Leg *
Patte de gauche
Pata izquierda



x1 RS952-250-LEGR - Right Leg *
Patte de droite
Pata derecha



x1 RS952-250-HWKIT-Hardware kit list *
Liste des pièces de quincaillerie
Lista del kit de materiales



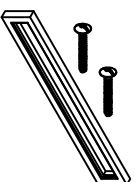
x1 RS952-250-RAIL - Safety Rail *
Garde-corps
Baranda de seguridad



x5 RS952-256-SUP - Slat Support Leg with levelers *
Pattes centrales avec patin réglable
Patas centrales con nivelador ajustable



x2 COMGLIDE-16-45-Common Glide 16in-45mm
Tiroir Glide
Deslizamiento del cajón



x2 RS952-256-PULL - Pull with Screw *
Poignée + vis
Tirador + Tornillo



x26 RS952-251-SCREW-Screw *
Vis à bois
Tornillo para madera

**Replaceable Part*

Protect Your Wood or Laminate Flooring

*This statement applies to any floor without carpet.

If not careful, all furniture including upholstery and case pieces can scratch, scuff and even gouge floors. The recommendation is to have felt, rubber pads or area rugs under furniture on flooring without carpet.

Moving your furniture

Pushing and dragging furniture over floors without carpet can lead to scratches and scuffs. Have someone help when moving the larger pieces of furniture by lifting, try using a dolly or moving pads.

Felt and rubber pads

Applying furniture pads to the feet of furniture helps cushion contact points. Furniture pads can be found at local hardware stores. Felt pads slide easily across the floor, making them ideal for dining chairs and other pieces that move with use. Rubber pads will help furniture stay in place and are perfect for larger pieces, like sofas and loveseats.

Area rugs and rug pads

Using an area rug under furniture is another way to protect your floor from scratches and scuff marks. A rug pad under the area rug will provide extra cushion and added protection.