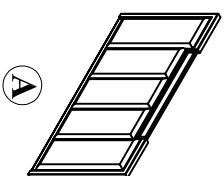
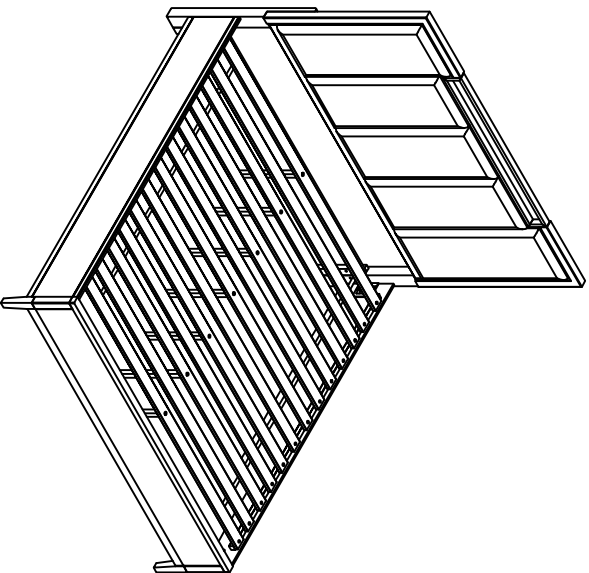
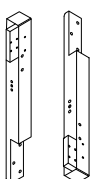


5/0 Panel FB & Slat Roll - Tête de grand lit avec lattes - Pie de cama y listones de 5/0  
5/0-6/6 Side Rails - Traverses de grand lit et très grand lit - Juego de travesaños laterales de cama de 5/0 y 6/6



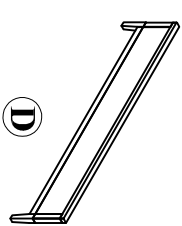
**A**  
x1 Headboard panel  
x1 Tête de lit  
x1 Panel de la cabecera



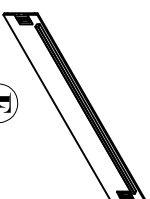
**B**  
x2 Headboard Legs\* (Left & Right) \*  
x2 Pattes de la tête de lit (gauche et droite)  
x2 Patas de cabecera (izquierda y derecha)



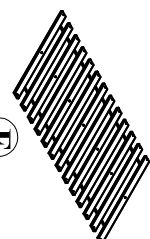
**C**  
x1 Safety Rail\*  
x1 Garde-corps  
x1 Baranda de seguridad



**D**  
x1 Footboard Panel  
x1 Pied de lit  
x1 Panel de pie de cama



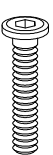
**E**  
x2 Side Rail  
x2 Traverse  
x2 Travesaño lateral



**F**  
x1 Slat Roll  
x1 Banes de lit  
x1 Listones



**G**  
x7 Slat Support Leg\*  
x7 Pattes centrales  
x7 Patas centrales



**I**  
x8 Allen bolt Ø5/16"-18 x 45mm\*  
x8 Vis à tête creuse hexagonale Ø5/16"-18 x 45mm  
x8 Perno Allen Ø5/16"-18 x 45mm



**2**  
x16 Lock washer Ø5/16"\*  
x16 Rondelle de blocage Ø5/16"  
x16 Arandela de Seguridad Ø5/16"



**3**  
x8 Flat Washer Ø5/16"x19x1.5mm\*  
x8 Rondelle plate Ø5/16"x19x1.5mm  
x8 Arandela plana Ø5/16"x19x1.5mm



**4**  
x8 Flat Washer Ø5/16"x16x1.5mm\*  
x8 Rondelle plate Ø5/16"x16x1.5mm  
x8 Arandela plana Ø5/16"x16x1.5mm



**5**  
x1 Allen Key 4mm\*  
x1 Clé hexagonale 4mm  
x1 Llave Allen 4mm



**6**  
x8 Hanger bolt Ø5/16x 88mm\*  
x8 Boulon-vis Ø5/16x 88mm  
x8 Perno de suspensión Ø5/16x 88mm



**7**  
x8 Hex nut\*  
x8 Écrou hexagonal  
x8 Tuerca hexagonal



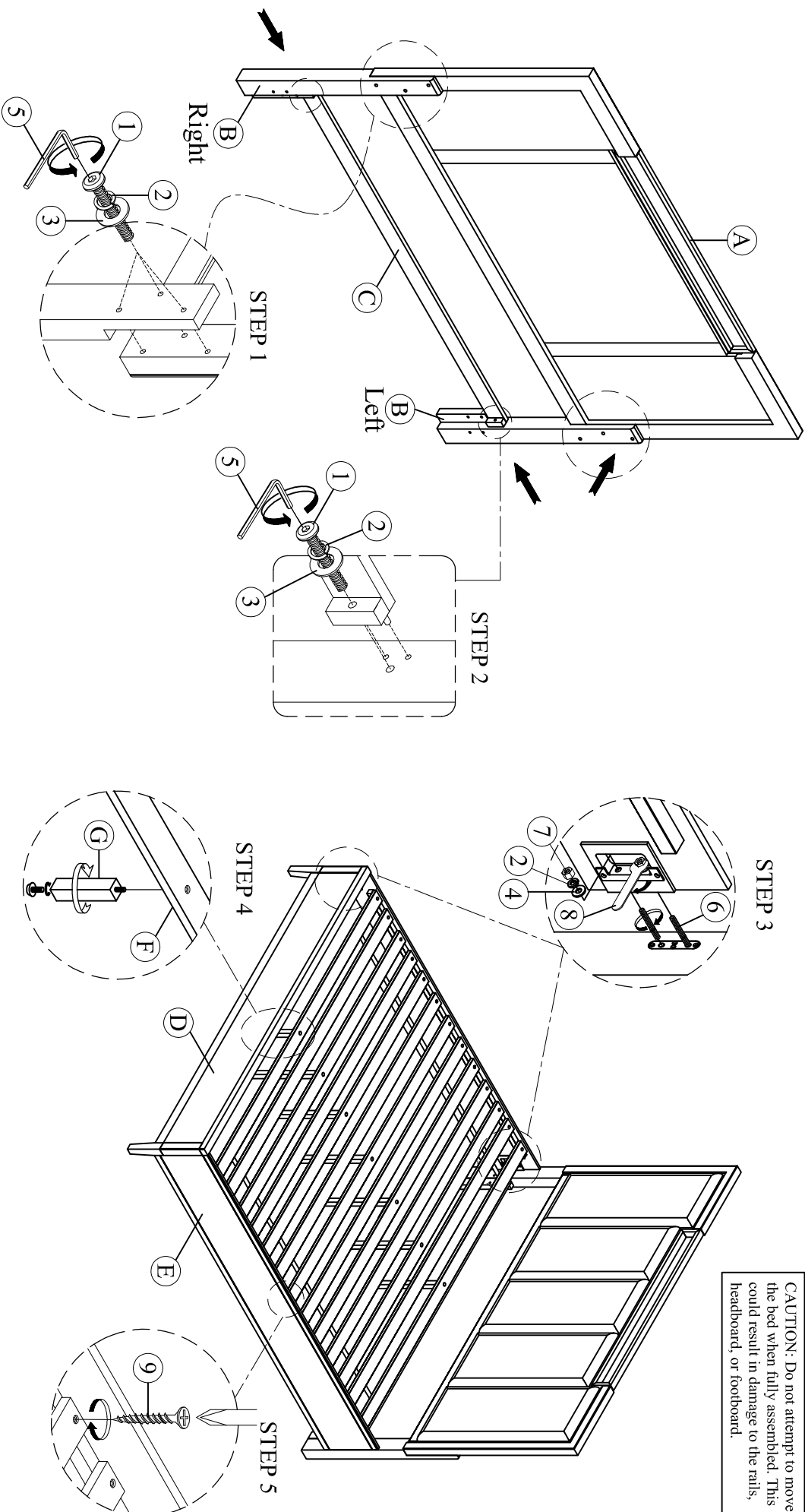
**8**  
x1 Hex Wrench\*  
x1 Clé hexagonale  
x1 Llave hexagonal



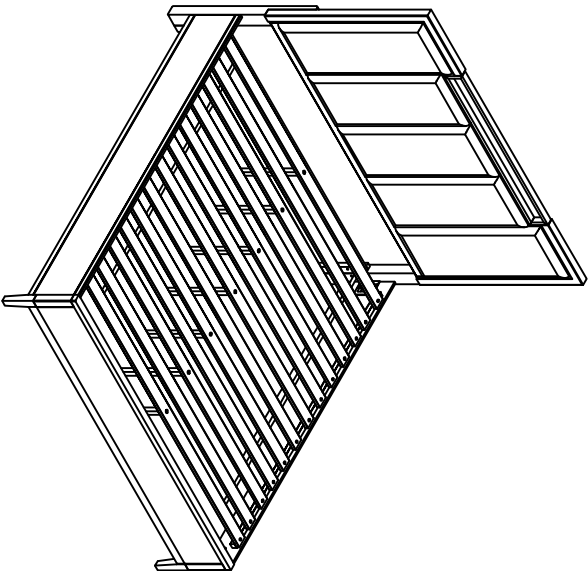
**9**  
x26 Wood Screw #8x35mm\*  
x26 Vis à bois #8x35mm  
x26 Tornillo para madera #8x35mm

\*Replaceable Part

5/0 Panel FB & Slat Roll - Pied de grand lit avec lattes - Pie de cama y listones de 5/0  
 5/0-6/6 Side Rails - Traverses de grand lit et très grand lit - Juego de travesaños laterales de cama de 5/0 y 6/6



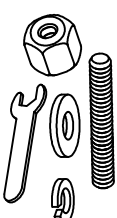
\* Replaceable Part



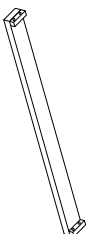
x1 RS952-250-LEGL-Left Leg \*  
Patte de gauche  
Pata izquierda



x1 RS952-250 -LEGR -Right Leg \*  
Patte de droite  
Pata derecha



x1 RS952-250 HWKIT-Hardware kit list \*  
Liste des pièces de quincaillerie  
Lista del kit de materiales



x1 RS952-250-RAIL - Safety Rail \*  
Garde-corps  
Baranda de seguridad



x7 RS952-251 - SUP - Slat Support Leg with levelers \*  
Pattes centrales avec patin réglable  
Patas centrales con nivelador ajustable



x26 RS952-251- SCREW-Screw \*  
Vis à bois  
Tornillo para madera

*\*Replaceable Part*

## **Protect Your Wood or Laminate Flooring**

\*This statement applies to any floor without carpet.

If not careful, all furniture including upholstery and case pieces can scratch, scuff and even gouge floors. The recommendation is to have felt, rubber pads or area rugs under furniture on flooring without carpet.

### **Moving your furniture**

Pushing and dragging furniture over floors without carpet can lead to scratches and scuffs. Have someone help when moving the larger pieces of furniture by lifting, try using a dolly or moving pads.

### **Felt and rubber pads**

Applying furniture pads to the feet of furniture helps cushion contact points. Furniture pads can be found at local hardware stores. Felt pads slide easily across the floor, making them ideal for dining chairs and other pieces that move with use. Rubber pads will help furniture stay in place and are perfect for larger pieces, like sofas and loveseats.

### **Area rugs and rug pads**

Using an area rug under furniture is another way to protect your floor from scratches and scuff marks. A rug pad under the area rug will provide extra cushion and added protection.