
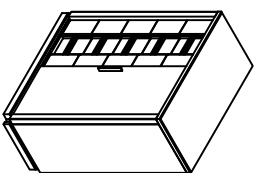
	<b>WARNING</b>
	
<p>Children have died from furniture tipover. To reduce the risk of furniture tipover:</p> <ul style="list-style-type: none"> <li>· ALWAYS install Anti-tip device provided.</li> <li>· NEVER put a TV on this product.</li> <li>· NEVER allow children to stand, climb or hang on any drawers, doors, or shelves.</li> <li>· NEVER open more than one drawer at a time.</li> <li>· PLACE heaviest items in the lowest drawers.</li> </ul> <p>This is a permanent label. Do not remove!</p>	



**A**

x1 Sliding Door Chest  
 x1 Commode avec porte  
 x1 Còmoda con puertas

**B**

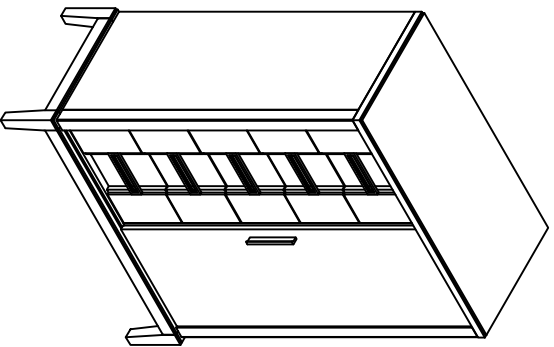
x4 Leg \*  
 x4 Pate  
 x4 Pata

**C**

x1 Furniture Tipping Restraint \*  
 x1 Systeme antibasculement  
 x1 Control para evitar vultcos

**1**

x8 Allen bolt Ø5/16"-18 x 50mm \*  
 x8 Vis à tête creuse hexagonale Ø5/16"-18 x 50mm  
 x8 Perno Allen Ø5/16"-18 x 50mm



**2**

x8 Lock washer Ø5/16" \*  
 x8 Rondelle de blocage Ø5/16"  
 x8 Arandela de Seguridad Ø5/16"



**3**

x8 Flat Washer Ø5/16"x19x1.5mm \*  
 x8 Rondelle plate Ø5/16"x19x1.5mm  
 x8 Arandela plana Ø5/16"x19x1.5mm





**4**

x1 Allen Key 4mm \*  
 x1 Clé hexagonale 4mm  
 x1 Llave Allen 4mm

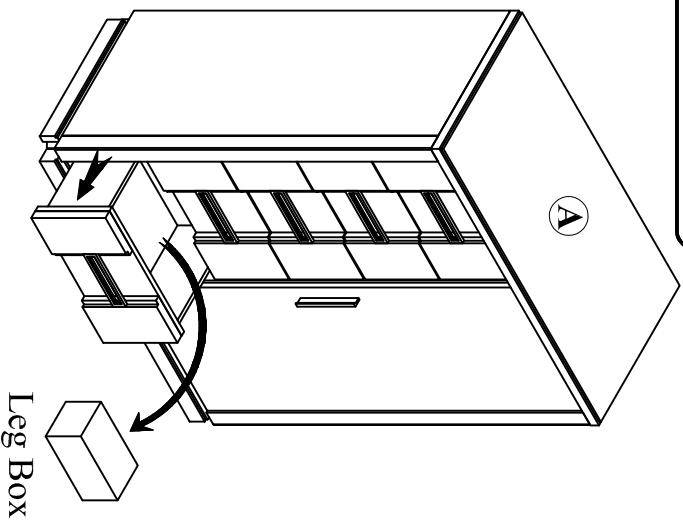
*\*Replaceable Part*

# HIF HOOKER FURNISHINGS

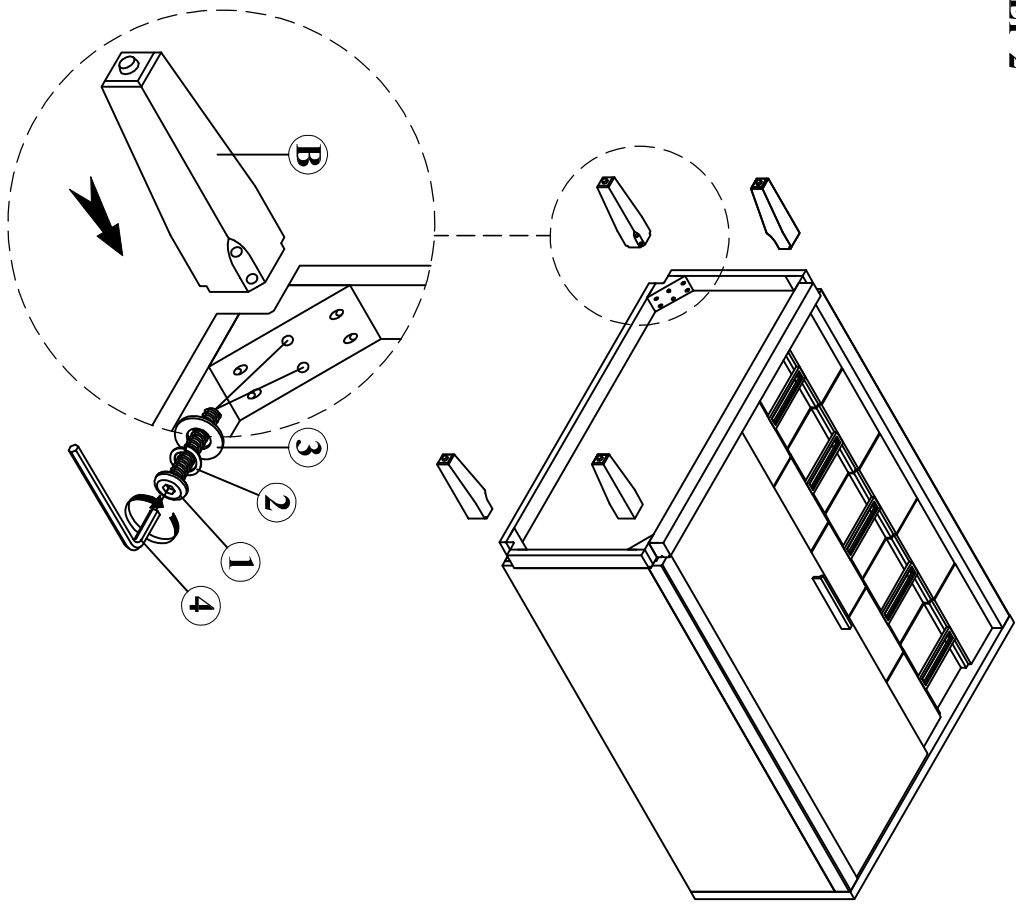
ASSEMBLY INSTRUCTIONS / NOTICE DE MONTAGE / INSTRUCCIONES DE MONTAJE  
 ITEM / NO D' ARTICLE / ARTICULO : S952-041  
 DESCRIPTION / DESCRIPCIÓN: SLIDING DOOR CHEST / COMMODE AVEC PORTE / CÓMODA CON PUERTAS

	
<b>WARNING</b>	
<p>Children have died from furniture tipover. To reduce the risk of furniture tipover:</p> <ul style="list-style-type: none"> <li>· ALWAYS install Anti-tip device provided.</li> <li>· NEVER put a TV on this product.</li> <li>· NEVER allow children to stand, climb or hang on any drawers, doors, or shelves.</li> <li>· NEVER open more than one drawer at a time.</li> <li>· PLACE heaviest items in the lowest drawers.</li> </ul> <p>This is a permanent label. Do not remove!</p>	



## STEP 1



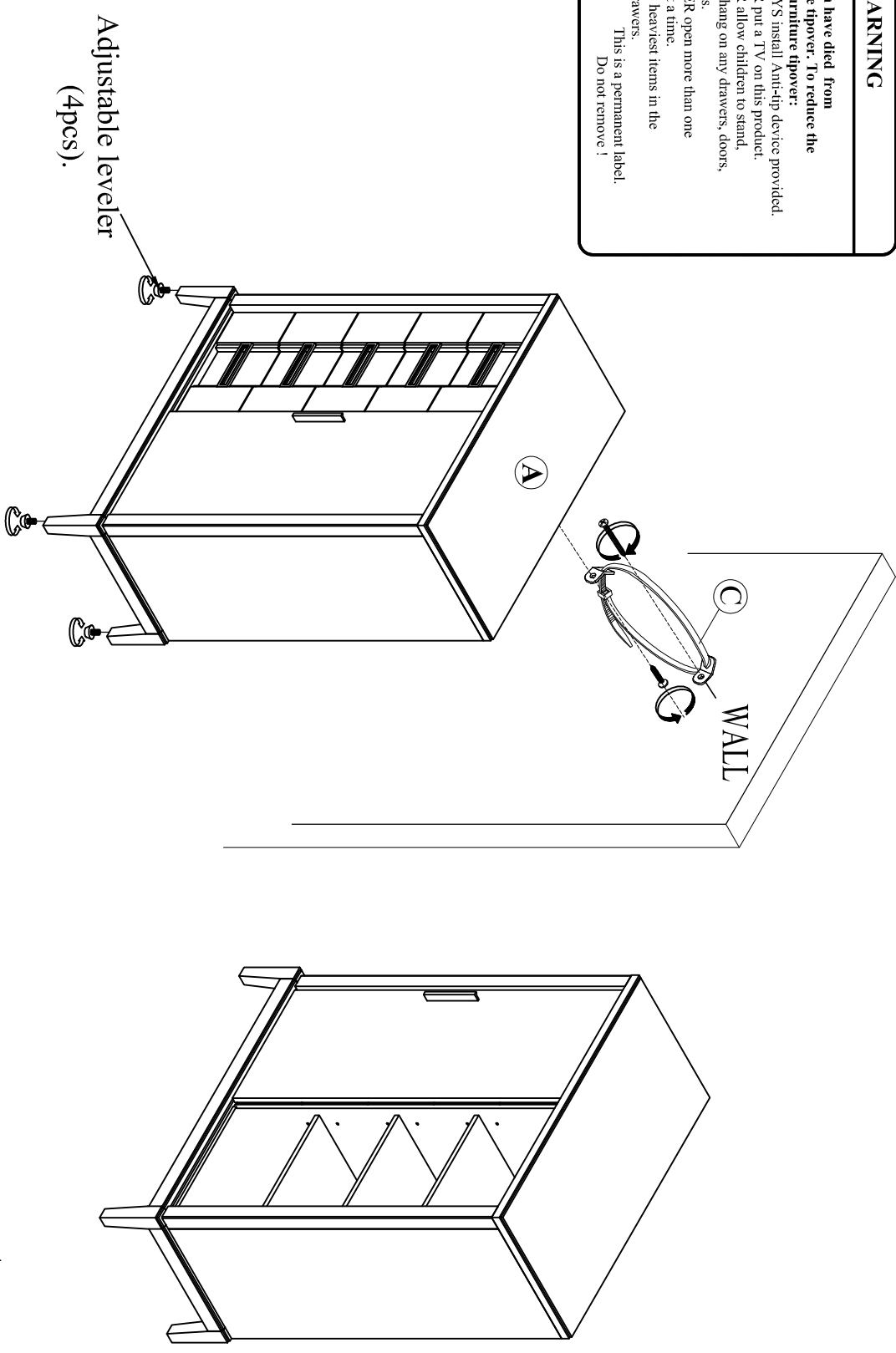
## STEP 2





*\*Replaceable Part*

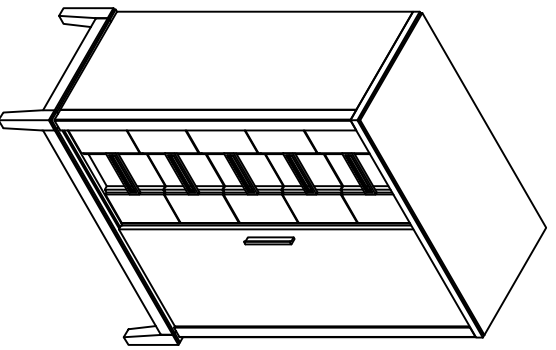
	<b>WARNING</b>
	
<p>Children have died from furniture tipover. To reduce the risk of furniture tipover:</p> <ul style="list-style-type: none"> <li>· ALWAYS install Anti-tip device provided.</li> <li>· NEVER put a TV on this product.</li> <li>· NEVER allow children to stand, climb or hang on any drawers, doors, or shelves.</li> <li>· NEVER open more than one drawer at a time.</li> <li>· PLACE heaviest items in the lowest drawers.</li> </ul> <p>This is a permanent label. Do not remove!</p>	

### STEP 3

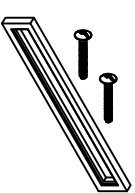


*\*Replaceable Part*

<b>WARNING</b>	
	<p>Children have died from furniture tipover. To reduce the risk of furniture tipover:</p> <ul style="list-style-type: none"> <li>· ALWAYS install Anti-tip device provided.</li> <li>· NEVER put a TV on this product.</li> <li>· NEVER allow children to stand, climb or hang on any drawers, doors, or shelves.</li> <li>· NEVER open more than one drawer at a time.</li> <li>· PLACE heaviest items in the lowest drawers.</li> </ul> <p>This is a permanent label. Do not remove!</p>
	



x5 GLIDE-SS-12-10-45- Glide SS 12in open 10in - 45mm \*  
 Tirroir Glide  
 Deslizamiento del cajón



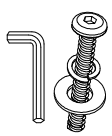
x5 RS952-041-DR-PULL - Drawer Pull + Screw  
 Tirroir Tirer + vis  
 Cajón Tire + Tornillo



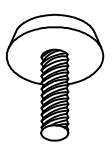
x1 RS952-041-DO-PULL - Door Pull + Screw  
 Porte Tirer + vis  
 Puerta Tire + Tornillo



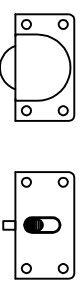
x4 RS952-010-LEG- Leg  
 Patte  
 Pata



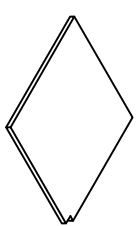
x1 RS952-010 HWKIT- Hardware kit list  
 Liste des pièces de quincaillerie  
 Lista del kit de materiales



x4 RC-FG-WHITE- White leveler  
 Patin réglable  
 Nivelador ajustable



x1 RS952-041-DO-GLIDE- Set Of Door Glide  
 Porte de glissière  
 Herraje Puerta



x3 RS952-041-SHELF- Removable Shelf  
 Étagère amovible  
 Repisa removible



x12 RS952-041-PIN- Shelf Pin + Screw  
 Épinglé + vis  
 Estantería + Tornillo



x1 RC-ANTI-TIP - Anti-tipping restraint  
 Liste des pièces de quincaillerie antibasculément  
 Lista del kit de materiales antivuelco

\*Replaceable Part

## **Protect Your Wood or Laminate Flooring**

\*This statement applies to any floor without carpet.

If not careful, all furniture including upholstery and case pieces can scratch, scuff and even gouge floors. The recommendation is to have felt, rubber pads or area rugs under furniture on flooring without carpet.

### **Moving your furniture**

\*

Pushing and dragging furniture over floors without carpet can lead to scratches and scuffs. Have someone help when moving the larger pieces of furniture by lifting, try using a dolly or moving pads.

### **Felt and rubber pads**

Applying furniture pads to the feet of furniture helps cushion contact points. Furniture pads can be found at local hardware stores. Felt pads slide easily across the floor, making them ideal for dining chairs and other pieces that move with use. Rubber pads will help furniture stay in place and are perfect for larger pieces, like sofas and loveseats.

### **Area rugs and rug pads**

Using an area rug under furniture is another way to protect your floor from scratches and scuff marks. A rug pad under the area rug will provide extra cushion and added protection.