
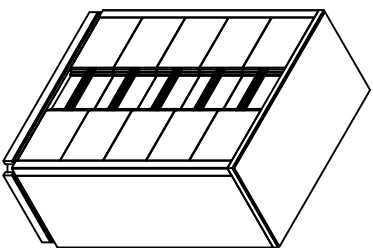
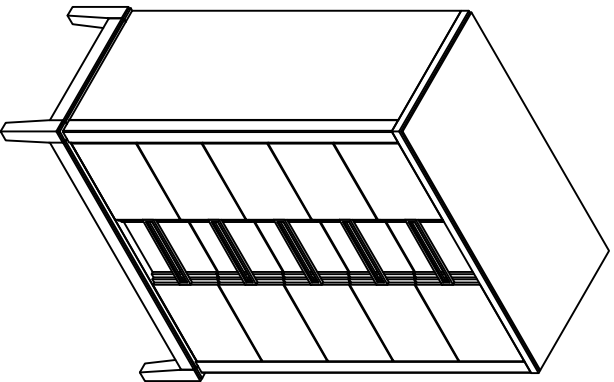
	WARNING
	
<p>Children have died from furniture tipover. To reduce the risk of furniture tipover:</p> <ul style="list-style-type: none"> · ALWAYS install Anti-tip device provided. · NEVER put a TV on this product. · NEVER allow children to stand, climb or hang on any drawers, doors, or shelves. · NEVER open more than one drawer at a time. · PLACE heaviest items in the lowest drawers. <p>This is a permanent label. Do not remove!</p>	



(A)
 x1 Drawer chest
 x1 Commode à tiroirs
 x1 Cómoda

(B)
 x4 Leg *
 x4 Patte
 x4 Pata

(C)
 x1 Furniture Tipping Restraint *
 x1 Systeme antitasculement
 x1 Control para evitar vuelcos

(1)
 x8 Allen bolt Ø5/16"-18 x 50mm *
 x8 Vis à tête cruse hexagonale Ø5/16"-18 x 50mm
 x8 Perno Allen Ø5/16"-18 x 50mm

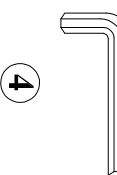
x8 Lock washer Ø5/16" *
 x8 Rondelle de blocage Ø5/16"
 x8 Arandela de Seguridad Ø5/16"



x8 Flat Washer Ø5/16"x19x1.5mm *
 x8 Rondelle plate Ø5/16"x19x1.5mm
 x8 Arandela plana Ø5/16"x19x1.5mm





x1 Allen Key 4mm *
 x1 C'te hexagonale 4mm
 x1 Llave Allen 4mm



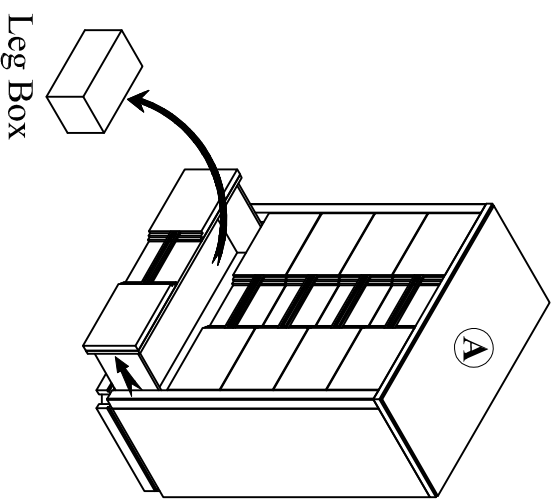
* Replaceable Part

HFH HOOKER FURNISHINGS

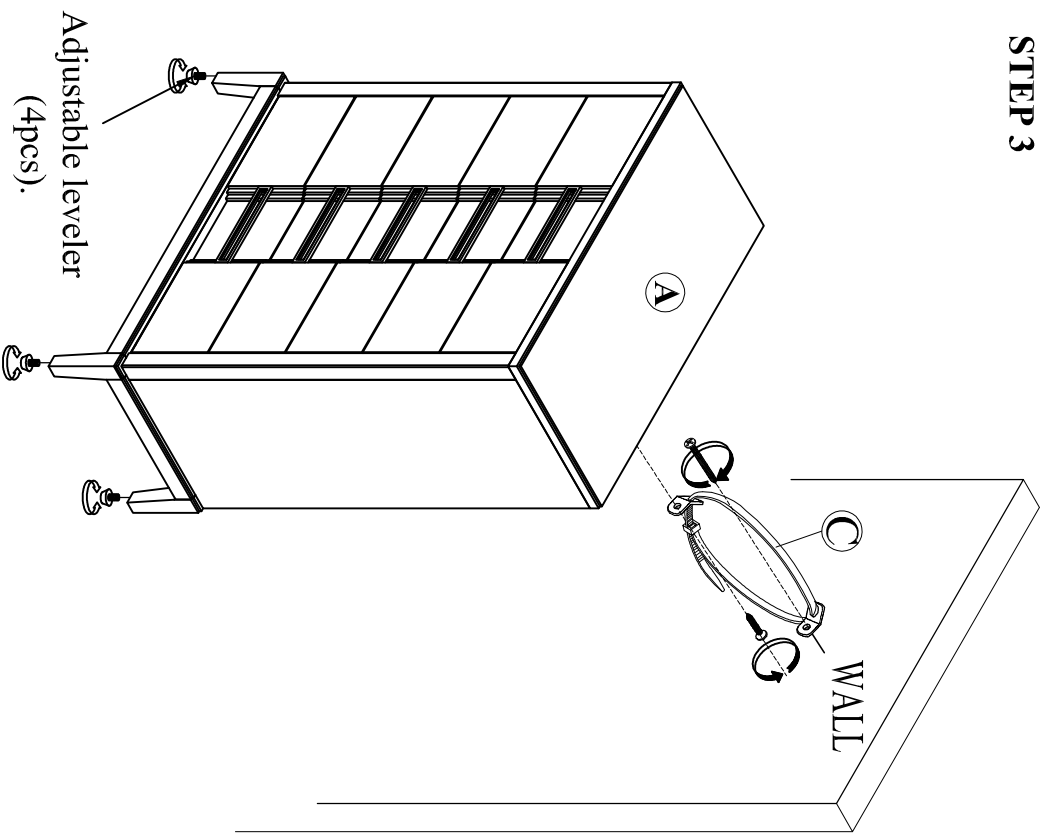
ASSEMBLY INSTRUCTIONS / NOTICE DE MONTAGE / INSTRUCCIONES DE MONTAJE
 ITEM / NO D'ARTICLE / ARTICULO : S952-040
 DESCRIPTION / DESCRIPCIÓN : 5 DRAWER CHEST / COMMODE / CÓMODA

	WARNING
	
<p>Children have died from furniture tipover. To reduce the risk of furniture tipover:</p> <ul style="list-style-type: none"> · ALWAYS install Anti-tip device provided. · NEVER put a TV on this product. · NEVER allow children to stand, climb or hang on any drawers, doors, or shelves. · NEVER open more than one drawer at a time. · PLACE heaviest items in the lowest drawers. <p>This is a permanent label. Do not remove!</p>	

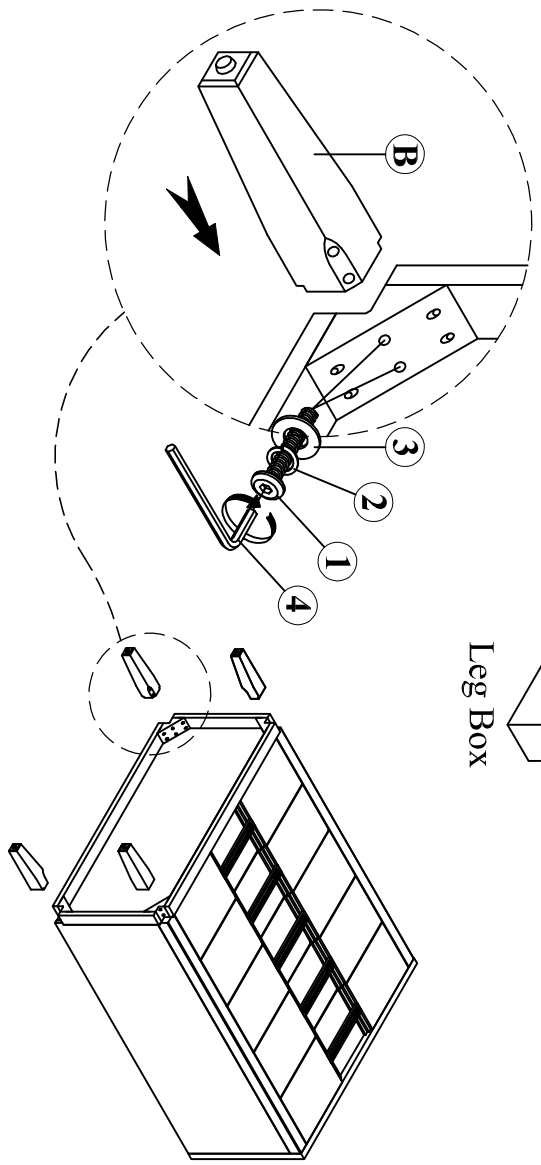
STEP 1



STEP 3





STEP 2

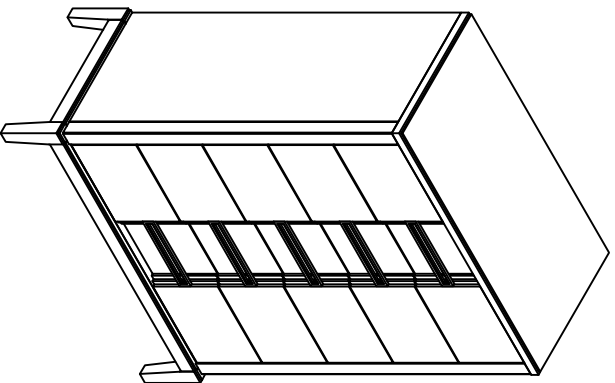


**Replaceable Part*

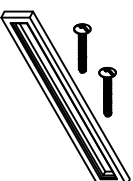
HFF HOOKER

REPLACEABLE PART / PARTIE REMPLAÇABLE / PARTE REMPLAZABLE
 ITEM / NO D'ARTICLE / ARTICULO : S952-040
 FURNISHINGS DESCRIPTION / DESCRIPTION : 5 DRAWER CHEST / COMMODE / CÔMODA

WARNING	
	<p>Children have died from furniture tipover. To reduce the risk of furniture tipover:</p> <ul style="list-style-type: none"> · ALWAYS install Anti-tip device provided. · NEVER put a TV on this product. · NEVER allow children to stand, climb or hang on any drawers, doors, or shelves. · NEVER open more than one drawer at a time. · PLACE heaviest items in the lowest drawers. <p>This is a permanent label. Do not remove!</p>
	



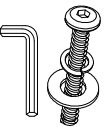
x5 GLIDE-SS-12-10-45- Glide SS 12in open 10in - 45mm *
 Tiroir Glide
 Deslizamiento del cajón



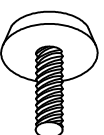
x5 RS952-010-PULL- Pull+ Screw *
 Poignée + vis
 Tirador + Tornillo



x4 RS952-010-LEG- Leg
 Pate
 Pata



x1 RS952-010 HWKIT- Hardware kit list
 Liste des pièces de quincaillerie
 Lista del kit de materiales



x4 RC-FG-WHITE- White leveler
 Patin réglable
 Nivelador ajustable



x1 RC-ANTI-TIP - Anti-tipping restraint
 Liste des pièces de quincaillerie antibasculement
 Lista del kit de materiales antivuelco

**Replaceable Part*

Protect Your Wood or Laminate Flooring

*This statement applies to any floor without carpet.

If not careful, all furniture including upholstery and case pieces can scratch, scuff and even gouge floors. The recommendation is to have felt, rubber pads or area rugs under furniture on flooring without carpet.

Moving your furniture

Pushing and dragging furniture over floors without carpet can lead to scratches and scuffs. Have someone help when moving the larger pieces of furniture by lifting, try using a dolly or moving pads.

Felt and rubber pads

Applying furniture pads to the feet of furniture helps cushion contact points. Furniture pads can be found at local hardware stores. Felt pads slide easily across the floor, making them ideal for dining chairs and other pieces that move with use. Rubber pads will help furniture stay in place and are perfect for larger pieces, like sofas and loveseats.

Area rugs and rug pads

Using an area rug under furniture is another way to protect your floor from scratches and scuff marks. A rug pad under the area rug will provide extra cushion and added protection.