

A

x1 Nightstand
 x1 Table de chevet
 x1 Mesa de noche

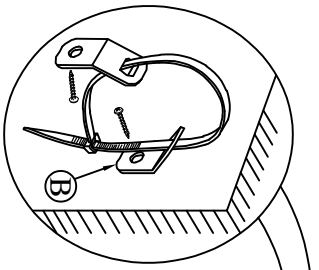


B

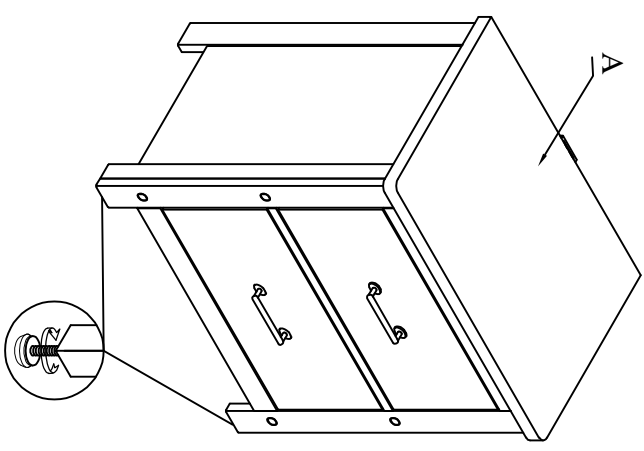
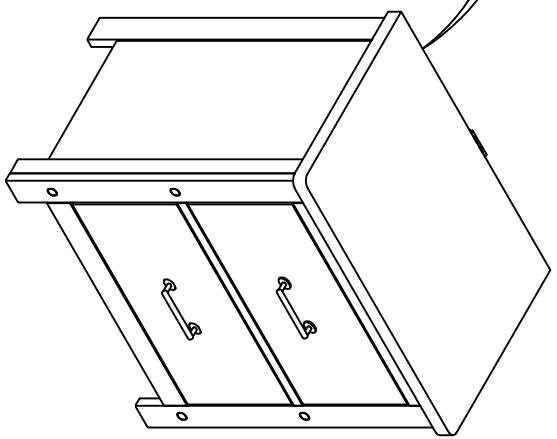
x1 Furniture Tipping Restraint
 x1 Système antibasculement
 x1 Control para evitar vuelcos

*

* Replaceable Part

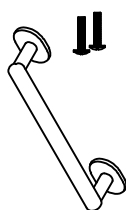
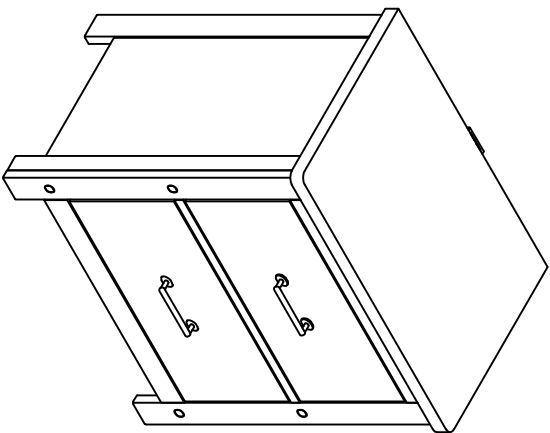


Furniture Tipping Restraint
 Système antibasculement
 Control para evitar vuelcos

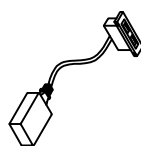


Adjustable leveler
 Patin réglable
 Nivelador ajustable

* Replaceable Part



x2 RS918-410-PULL-Pull + with Screw
 Tirer + Vis
 Tira + Tornillo



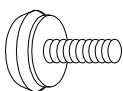
x1 RS918-450-USB- USB port
 Port USB
 Puerto USB



x2 COMGLIDE-8-45 - Drawer Glide
 Glisière de tiroir
 Deslizamiento del cajón



x2 RC-BR-NAIL- Brown Plastic nail
 clou en plastique
 clavo de plástico



x2 RC-FG-BROWN-Brown leveler
 Niveladora marron
 Nivelador marron



x1 RC-ANTI-TIP-Furniture Tipping Restraint
 Système antibascullement
 Control para evitar vuelcos

Protect Your Wood or Laminate Flooring

*This statement applies to any floor without carpet.

If not careful, all furniture including upholstery and case pieces can scratch, scuff and even gouge floors. The recommendation is to have felt, rubber pads or area rugs under furniture on flooring without carpet.

Moving your furniture

Pushing and dragging furniture over floors without carpet can lead to scratches and scuffs. Have someone help when moving the larger pieces of furniture by lifting, try using a dolly or moving pads.

Felt and rubber pads

Applying furniture pads to the feet of furniture helps cushion contact points. Furniture pads can be found at local hardware stores. Felt pads slide easily across the floor, making them ideal for dining chairs and other pieces that move with use. Rubber pads will help furniture stay in place and are perfect for larger pieces, like sofas and loveseats.

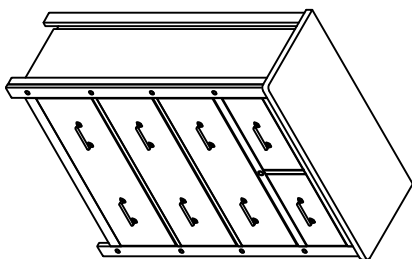
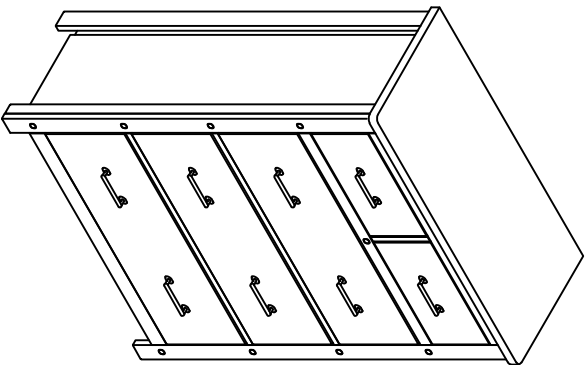
Area rugs and rug pads

Using an area rug under furniture is another way to protect your floor from scratches and scuff marks. A rug pad under the area rug will provide extra cushion and added protection.

PARTS LIST / LISTE DES PIÈCES / LISTA DE PIEZA

ITEM / NO D'ARTICLE / ARTICULO.: S918-440

Description/ La Description / Descripción : Drawer Chest / Commode à tiroirs / Cómoda



A

x1 Chest
x1 Commode
x1 Comoda



B

x1 Furniture Tipping Restraint
x1 Système antibasculement
x1 Control para evitar vuelcos



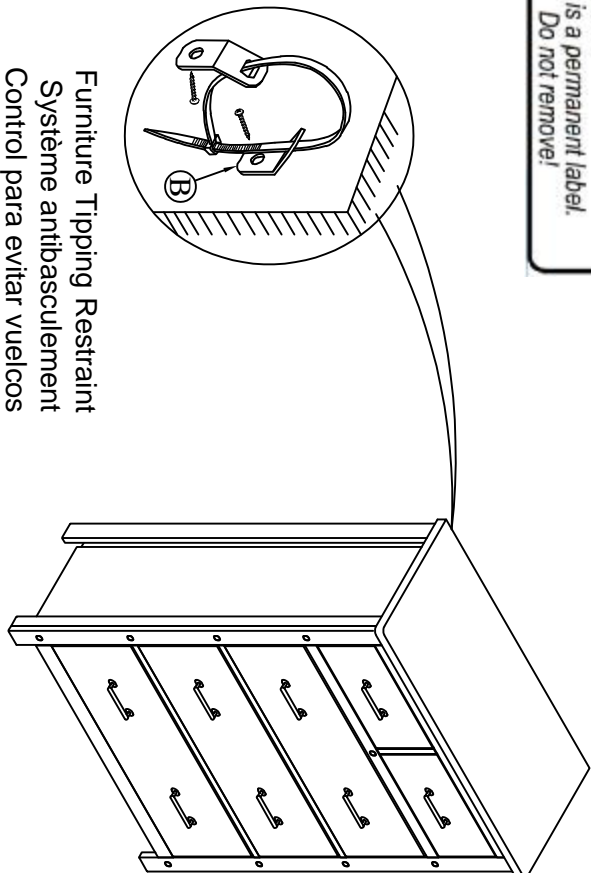
*Replaceable Part

ASSEMBLY INSTRUCTION / NOTICE DE MONTAGE / INSTRUCCIONES DE MONTAJE

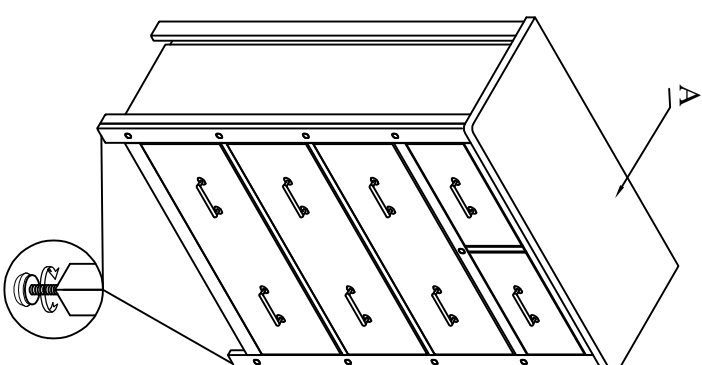
ITEM / NO D'ARTICLE / ARTICULO.: S918-440

Description/ La Description / Descripción : Drawer Chest / Commode à tiroirs / Cómoda

WARNING	
	
<p>Children have died from furniture tipover. To reduce the risk of furniture tipover:</p> <ul style="list-style-type: none"> - ALWAYS install Anti-tip device provided. - NEVER put a TV on this product. - NEVER allow children to stand, climb or hang on any drawers, doors, or shelves. - NEVER open more than one drawer at a time. - Place heaviest items in the lowest drawers. <p><i>This is a permanent label. Do not remove!</i></p>	



Furniture Tipping Restraint
Système antibasculement
Control para evitar vuelcos



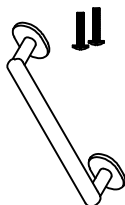
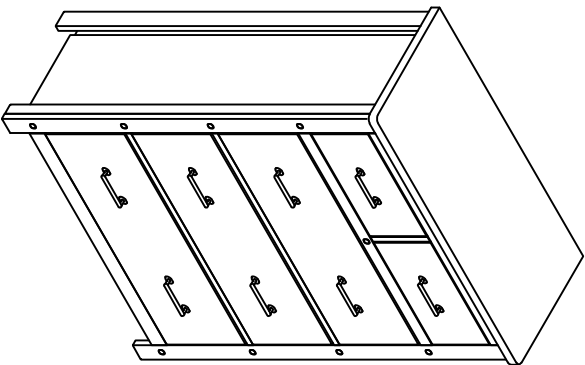
Adjustable leveler
Patin réglable
Nivelador adjustable

*Replaceable Part

REPLACEABLE PART / PARTIE REMPLACABLE / PARTE REEMPLAZABLE

ITEM / NO D'ARTICLE / ARTICULO.: S918-440

Description/ La Description / Descripción : Drawer Chest / Commode à tiroirs / Cómoda



x8 RS918-410-PULL-Pull + with Screw
Tirer + Vis
Tira + Tornillo



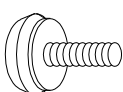
x4 COMGLIDE-8-45 - Drawer Glide
Glissière de tiroir
Deslizamiento del cajón



x1 RC-ANTI-TIP-Furniture Tipping Restraint
Système antibascullement
Control para evitar vuelcos



x2 RC-BR-NAIL- Brown Plastic nail
clou en plastique
clavo de plástico



x2 RC-FG-BROWN-Brown leveler
Niveladora marron
Nivaleur marron

*Replaceable Part

Protect Your Wood or Laminate Flooring

*This statement applies to any floor without carpet.

If not careful, all furniture including upholstery and case pieces can scratch, scuff and even gouge floors. The recommendation is to have felt, rubber pads or area rugs under furniture on flooring without carpet.

Moving your furniture

Pushing and dragging furniture over floors without carpet can lead to scratches and scuffs. Have someone help when moving the larger pieces of furniture by lifting, try using a dolly or moving pads.

Felt and rubber pads

Applying furniture pads to the feet of furniture helps cushion contact points. Furniture pads can be found at local hardware stores. Felt pads slide easily across the floor, making them ideal for dining chairs and other pieces that move with use. Rubber pads will help furniture stay in place and are perfect for larger pieces, like sofas and loveseats.

Area rugs and rug pads

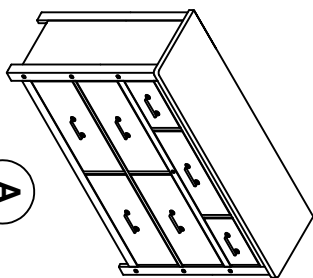
Using an area rug under furniture is another way to protect your floor from scratches and scuff marks. A rug pad under the area rug will provide extra cushion and added protection.

PARTS LIST / LISTE DES PIÈCES / LISTA DE PIEZA

ITEM / NO D'ARTICLE / ARTICULO.: S918-410/430

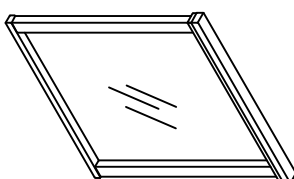
Description/ La Description / Descripción: Dresser / Commode / Tocador

Beveled Mirror / Miroir / Espejo



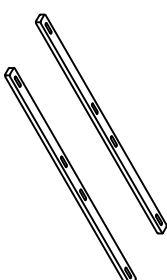
A

- x1 Dresser
- x1 Commode
- x1 Tocador



B

- x1 Mirror
- x1 Miroir
- x1 Espejo



C

- x2 Mirror Support *
- x2 Prise en charge du miroir
- x2 Soporte de espejo



D

- x1 Furniture Tripping Restraint *
- x1 Système antibasculement
- x1 Control para evitar vuelcos



3

- x8 Flat Washer Ø1/4"×1.3"×1.5mm *
- x8 Rondelle Plate Ø1/4"×1.3"×1.5mm
- x8 Arandela Plana Ø1/4"×1.3"×1.5mm



1

- x8 Allen bolt Ø1/4"×38mm *
- x8 Vis à tête creuse hexagonale Ø1/4"×38mm
- x8 Perno Allen Ø1/4"×38mm



2

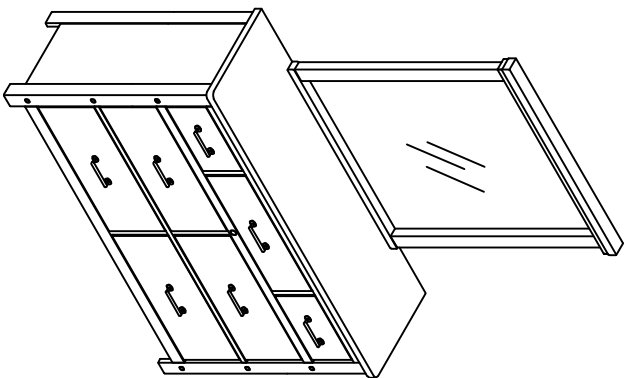
- x8 Lock washer Ø1/4"×1.3"×1.5mm *
- x8 Rondelle de blocage Ø1/4"×1.3"×1.5mm
- x8 Arandela de Seguridad Ø1/4"×1.3"×1.5mm



4

- x1 Allen key M4 *
- x1 Clé hexagonale
- x1 Llave Allen

* Replaceable Part



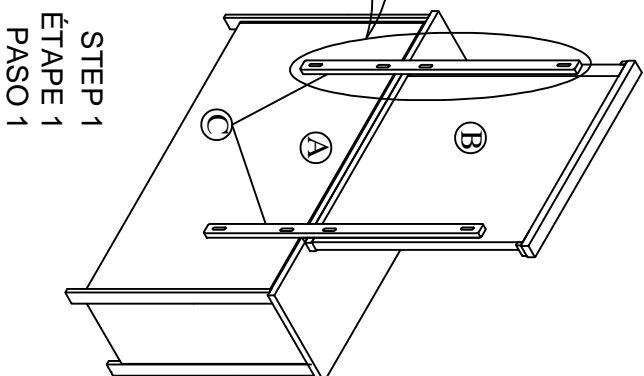
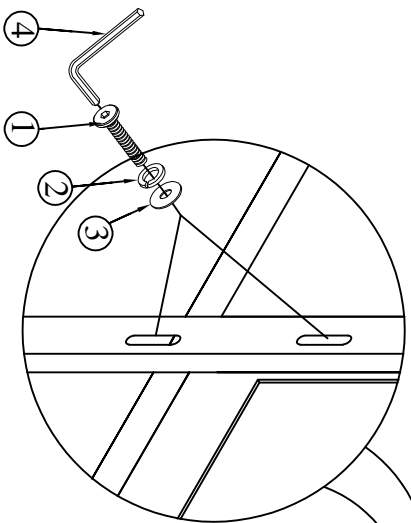
ASSEMBLY INSTRUCTION / NOTICE DE MONTAGE / INSTRUCCIONES DE MONTAJE

ITEM / NO D'ARTICLE / ARTICULO.: S918-410/430

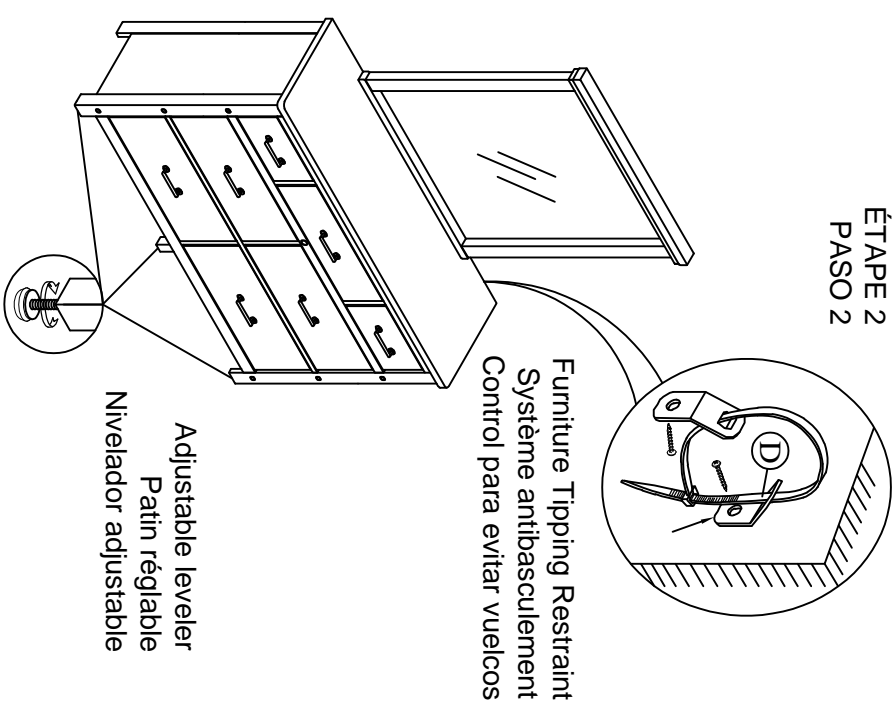
Description/ La Description / Descripción: Dresser / Comode / Tocador

Beveled Mirror / Miroir / Espejo

WARNING	
	<p>Children have died from furniture tipover. To reduce the risk of furniture tipover:</p> <ul style="list-style-type: none"> - ALWAYS install Anti-tip device provided. - NEVER put a TV on this product. - NEVER allow children to stand, climb or hang on any drawers, doors, or shelves. - NEVER open more than one drawer at a time. - Place heaviest items in the lowest drawers. <p><i>This is a permanent label. Do not remove!</i></p>
	



STEP 1
ÉTAPE 1
PASO 1



STEP 2
ÉTAPE 2
PASO 2

Furniture Tipping Restraint
Système antibasculement
Control para evitar vuelcos

Adjustable leveler
Patin réglable
Nivelador ajustable

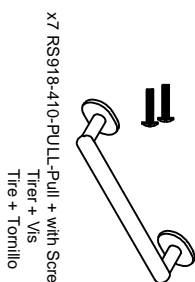
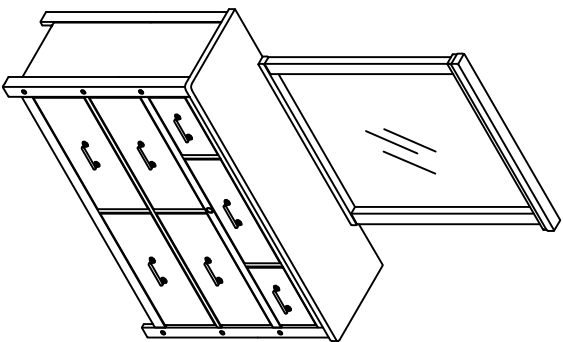
*Replaceable Part

REPLACEABLE PART / PARTIE REMPLACABLE / PARTE REEMPLAZABLE

ITEM / NO D'ARTICLE / ARTICULO.: S918-410/430

Description/ La Description / Descripción: Dresser / Comode / Tocador

Beveled Mirror / Miroir / Espejo



x7 RS918-410-PULL-Pull + with Screw
Tirer + Vis
Tire + Tornillo

*



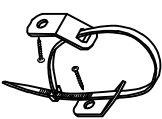
x2 RS918-430-MISU- Mirror Support
Supporte de miroir
Soporte del espejo

*



x1 RS918-430-HWKT-Hardware kit list
Liste des pièces de quincailleries
Lista del kit de materiales

*



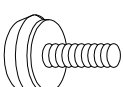
x1 RC-ANTI-TIP-Furniture Tipping Restraint
Système antibasculement
Control para evitar vuelcos

*



x7 COMGLIDE-8-45 - Drawer Glide
Glissière de tiroir
Deslizamiento del cajón

*



x3 RC-F-G-BROWN-Brown leveler
Niveladora marron
Niveleur marron

*



x2 RC-BR-NAIL- Brown Plastic nail
clou en plastique
clavo de plástico

*

* Replaceable Part

Protect Your Wood or Laminate Flooring

*This statement applies to any floor without carpet.

If not careful, all furniture including upholstery and case pieces can scratch, scuff and even gouge floors. The recommendation is to have felt, rubber pads or area rugs under furniture on flooring without carpet.

Moving your furniture

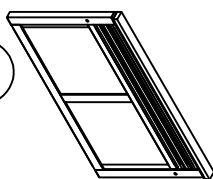
Pushing and dragging furniture over floors without carpet can lead to scratches and scuffs. Have someone help when moving the larger pieces of furniture by lifting, try using a dolly or moving pads.

Felt and rubber pads

Applying furniture pads to the feet of furniture helps cushion contact points. Furniture pads can be found at local hardware stores. Felt pads slide easily across the floor, making them ideal for dining chairs and other pieces that move with use. Rubber pads will help furniture stay in place and are perfect for larger pieces, like sofas and loveseats.

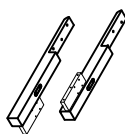
Area rugs and rug pads

Using an area rug under furniture is another way to protect your floor from scratches and scuff marks. A rug pad under the area rug will provide extra cushion and added protection.



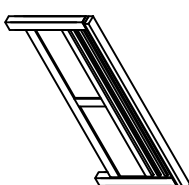
A

x1 Headboard
x1 Tête de lit
x1 Cabecera



B

x2 Headboard Legs (Left & Right) *
x2 Pates de la tête de lit (gauche et droite)
x2 Patas de cabecera (izquierda y derecha)



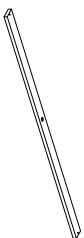
C

x1 Footboard
x1 Pied de lit
x1 Pie de cama



D

x2 Side Rails
x2 Côtés de lit
x2 Largueros laterales



E

x5 Slats *
x5 Lattes
x5 Listones



F

x5 Support Legs *
x5 Pates de support
x5 Patas de soporte



1

x6 Allen bolt Ø5/16" * 2"
x6 Vis à tête creuse hexagonale Ø5/16" * 2"
x6 Perno Allen Ø5/16" * 2"



2

x14 Lock washer Ø5/16" * 132mm *
x14 Rondelle de blocage Ø5/16" * 132mm
x14 Arandela de Seguridad Ø5/16" * 132mm



6

x1 Open wrench M12x1,90mm *
x1 Clé à fourche M12x1,90mm
x1 Llave de boca M12x1,90mm

3

x14 Flat washer Ø5/16" * 192mm *
x14 Rondelle plate Ø5/16" * 192mm
x14 Arandela plana Ø5/16" * 192mm

4

x8 Hanger bolt Ø5/16" * 3-1/2" *
x8 Boulon-vis Ø5/16" * 3-1/2"
x8 Perno de suspensión Ø5/16" * 3-1/2"

5

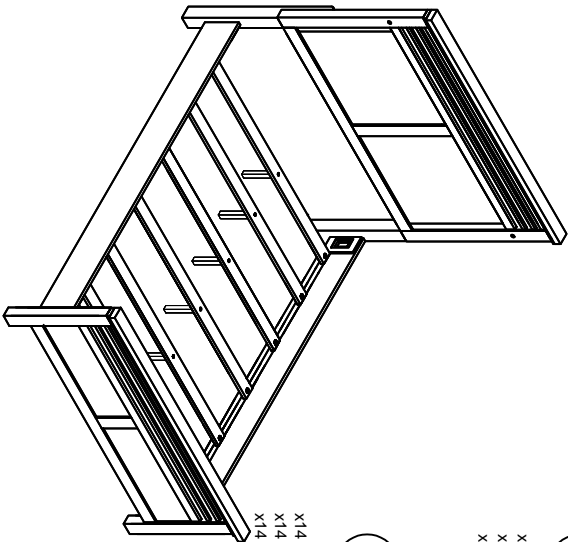
x8 Hex nut Ø5/16" x 12 x 6mm *
x8 Ecrin hexagonal Ø5/16" x 12 x 6mm
x8 Tuerca hexagona Ø5/16" x 12 x 6mm

7

x1 Allen key M4 *
x1 Clé hexagonale
x1 Llave Allen

8

x10 Wood Screw #8*30mm *
x10 Vis à bois #8 *30mm
x10 Tornillo para madera #8*30mm



*Replaceable Part

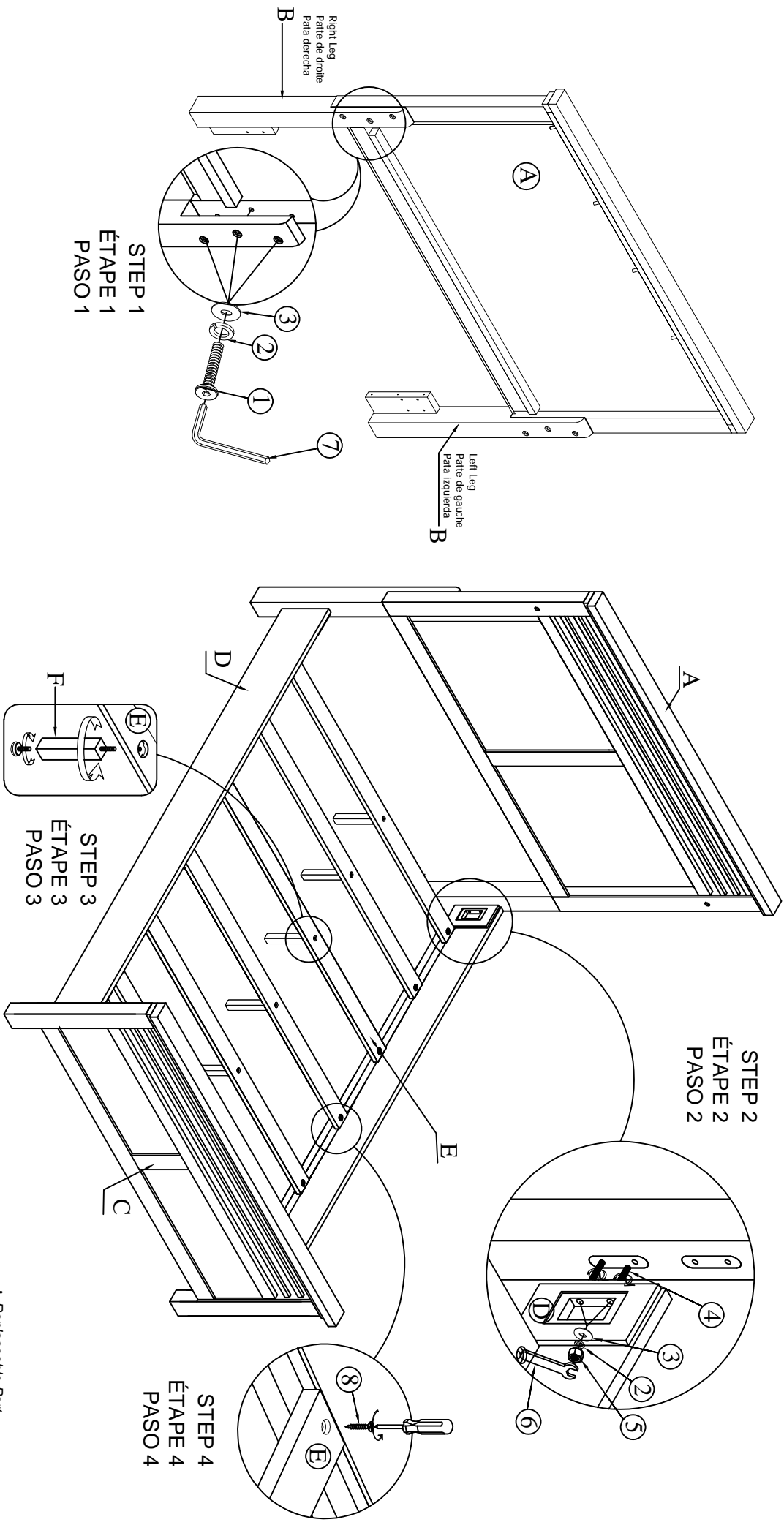
ASSEMBLY INSTRUCTION / NOTICE DE MONTAGE / INSTRUCCIONES DE MONTAJE

ITEM / NO D'ARTICLE / ARTICULO.: S918-250/251/400

DESCRIPTION / DESCRIPCION : Headboard / Tête de lit / Cabecera

Footboard / Pied de lit / Pie de cama

Side Rails / Côtés de lit / Largueros laterales

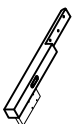


* Replaceable Part

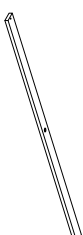
REPLACEABLE PART / PARTIE REMPLACABLE / PARTE REEMPLAZABLE
ITEM / NO D'ARTICLE / ARTICULO.: S918-250/251/400
DESCRIPTION / DESCRIPCION : Headboard / Tête de lit / Cabecera
Footboard / Pied de lit / Pie de cama
Side Rails / Côtés de lit / Largueros laterales



x1 RS918-250-LEGR-Right Leg *
 Pattee de droite
 Pata derecha



x1 RS918-250-LEGL-Left Leg *
 Pattee de gauche
 Pata izquierda



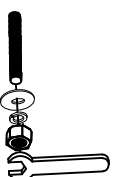
x5 RS918-251-SLAT- Slat *
 Lattes
 Listones



x5 RS918-251-SULEG-Support Leg *
 Pattes de supports
 Patas de apoyo de listones



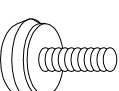
x1 RS918-250-HWKIT-Hardware kit list *
 Liste des pièces de quincailleries
 Lista del kit de materiales



x1 RS918-400-HWKIT-Hardware kit list *
 Liste des pièces de quincailleries
 Lista del kit de materiales



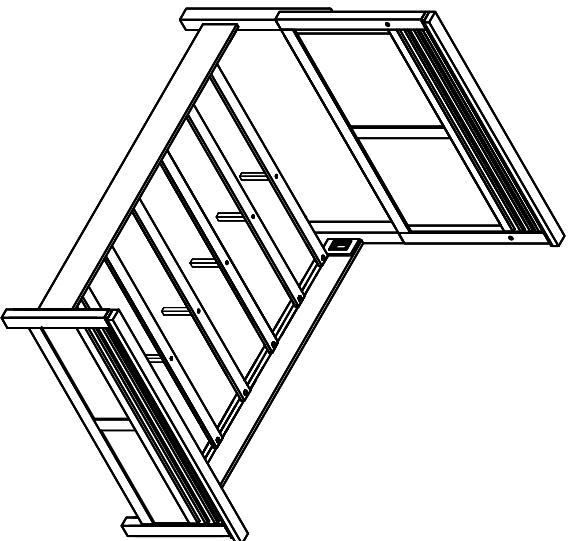
x4 RC-BR-NAIL- Brown Plastic nail *
 clou en plastique
 clavo de plástico



x5 RC-FG-BROWN-Brown leveler *
 Niveledora marron
 Nivelador marron



x10 RS918-251-SCREW-Wood Screw *
 Vis à bois
 Tornillo para madera



*** Replaceable Part**

Protect Your Wood or Laminate Flooring

*This statement applies to any floor without carpet.

If not careful, all furniture including upholstery and case pieces can scratch, scuff and even gouge floors. The recommendation is to have felt, rubber pads or area rugs under furniture on flooring without carpet.

Moving your furniture

Pushing and dragging furniture over floors without carpet can lead to scratches and scuffs. Have someone help when moving the larger pieces of furniture by lifting, try using a dolly or moving pads.

Felt and rubber pads

Applying furniture pads to the feet of furniture helps cushion contact points. Furniture pads can be found at local hardware stores. Felt pads slide easily across the floor, making them ideal for dining chairs and other pieces that move with use. Rubber pads will help furniture stay in place and are perfect for larger pieces, like sofas and loveseats.

Area rugs and rug pads

Using an area rug under furniture is another way to protect your floor from scratches and scuff marks. A rug pad under the area rug will provide extra cushion and added protection.

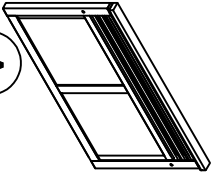
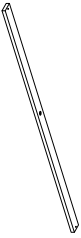

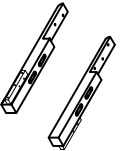

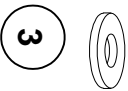
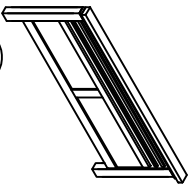

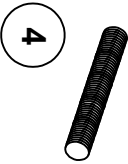
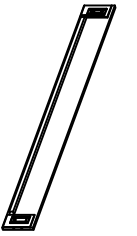

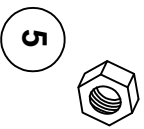
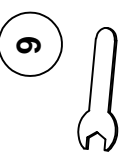
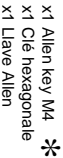
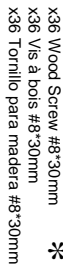
PARTS LIST / LISTE DES PIÈCES / LISTA DE PIEZA

ITEM / NO D'ARTICLE / ARTICULO.: S918-530/531/401

DESCRIPTION / DESCRIPCION : 3/3 Panel Headboard / Tête de lit simple / Cabecera estilo panel de 3/3

3/3 Panel Footboard & Slats / Pied de lit simple avec lattes / Pie de cama estilo panel de 3/3 con listones

3/3 & 4/6 Set of Side Rails/ 3/3 & 4/6 - Ensemble de traverses / 3/3 & 4/6 - Juego de travesaños laterales

	<p>A</p> <ul style="list-style-type: none"> x1 Headboard x1 Tête de lit x1 Cabecera 		<p>E</p> <ul style="list-style-type: none"> x5 Slats x5 Lattes x5 Listones 	 <p>2</p>	<ul style="list-style-type: none"> x14 Lock washer Ø5/16"×13.2mm x14 Rondelle de blocage Ø5/16"×13.2mm x14 Arandela de Seguridad Ø5/16"×13.2mm
	<p>B</p> <ul style="list-style-type: none"> x2 Headboard Legs (Left & Right) x2 Pattes de la tête de lit (gauche et droite) x2 Patas de cabecera (Izquierda y derecha) 		<p>F</p> <ul style="list-style-type: none"> x5 Support Legs x5 Pattes de support x5 Patas de soporte 	 <p>3</p>	<ul style="list-style-type: none"> x14 Flat washer Ø5/16"×19.2mm x14 Rondelle plate Ø5/16"×19.2mm x14 Arandela plana Ø5/16"×19.2mm
	<p>C</p> <ul style="list-style-type: none"> x1 Footboard x1 Pied de lit x1 Pie de cama 		<p>G</p> <ul style="list-style-type: none"> x1 Slats Roll x1 Rouleau de Lattes x1 Rollo de Lamas 	 <p>4</p>	<ul style="list-style-type: none"> x8 Hanger bolt Ø5/16"×3-1/2" x8 Boulon-vis Ø5/16"×3-1/2" x8 Perno de suspensión Ø5/16"×3-1/2"
	<p>D</p> <ul style="list-style-type: none"> x2 Side Rails x2 Côtés de lit x2 Largueros laterales 		<p>1</p> <ul style="list-style-type: none"> x6 Allen bolt Ø5/16" × 2" x6 Vis à tête creuse hexagonale Ø5/16" × 2" x6 Perno Allen Ø5/16" × 2" 	 <p>5</p>	<ul style="list-style-type: none"> x8 Hex nut Ø5/16" x 12 x 6mm x8 Ecrou hexagonal Ø5/16" x 12 x 6mm x8 Tuerca hexagona Ø5/16" x 12 x 6mm
	<p>6</p> <ul style="list-style-type: none"> x1 Open wrench M12×L190mm x1 Clé à fourche M12×L190mm x1 Llave de boca M12×L190mm 	<p>7</p>  <ul style="list-style-type: none"> x1 Allen key M4 x1 Clé hexagonale x1 Llave Allen 	<p>8</p>  <ul style="list-style-type: none"> x36 Wood Screw #8×30mm x36 Vis à bois #8×30mm x36 Tornillo para madera #8×30mm 		

*Replaceable Part

ASSEMBLY INSTRUCTION / NOTICE DE MONTAGE / INSTRUCCIONES DE MONTAJE

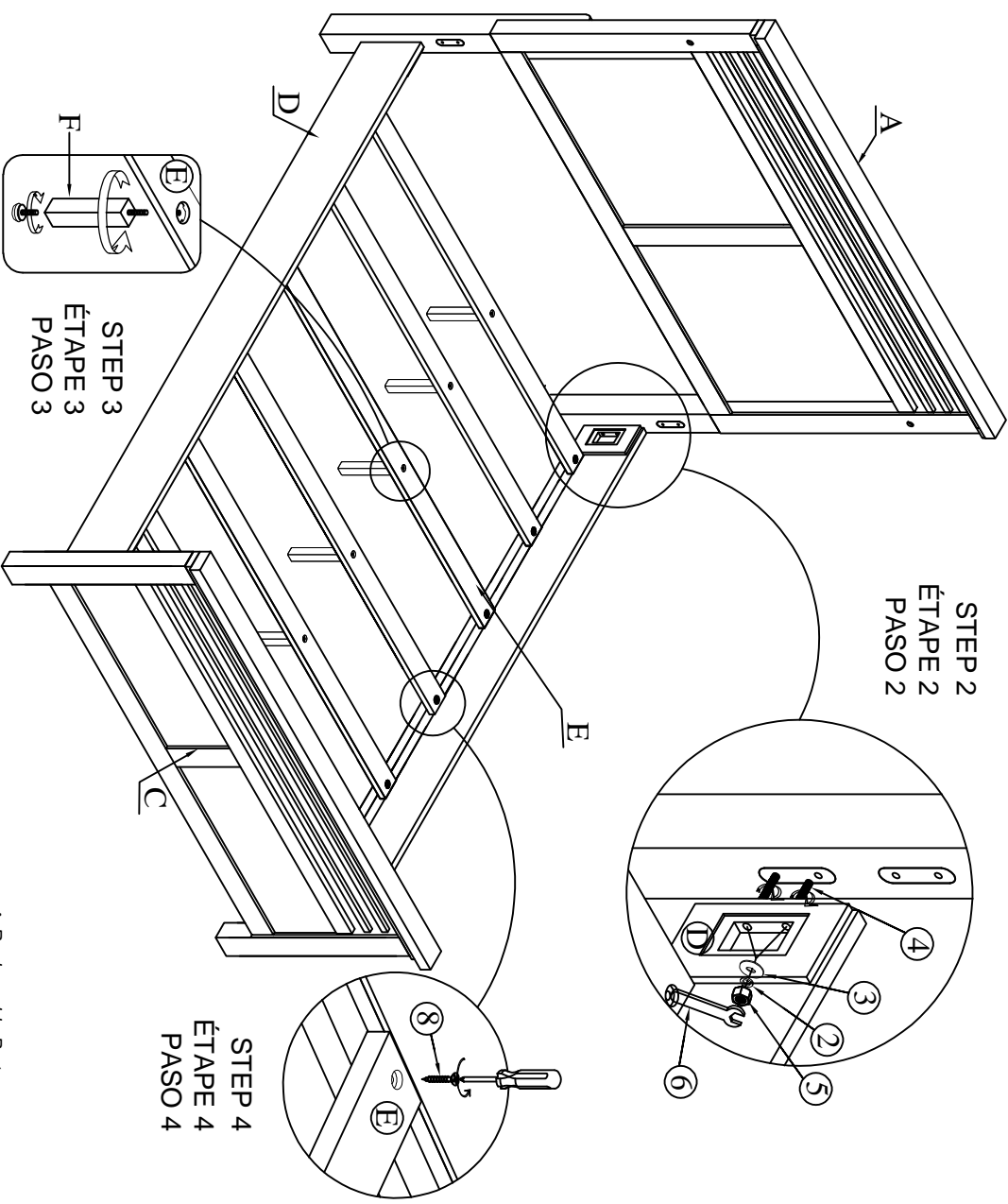
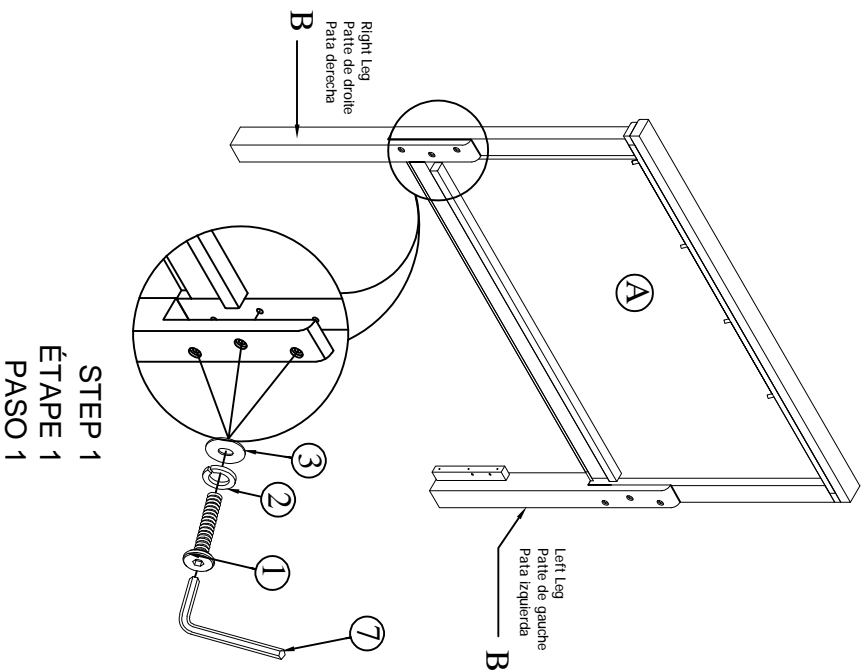
ITEM / NO D'ARTICLE / ARTICULO.: S918-530/531/401

DESCRIPTION / DESCRIPCION : 3/3 Panel Headboard / Tête de lit simple / Cabecera estilo panel de 3/3

3/3 Panel Footboard & Slats / Pied de lit simple avec lattes / Pie de cama estilo panel de 3/3 con listones

3/3 & 4/6 Set of Side Rails/ 3/3 & 4/6 - Ensemble de traverses / 3/3 & 4/6 - Juego de travesaños laterales

Option 1



* Replaceable Part

ASSEMBLY INSTRUCTION / NOTICE DE MONTAGE / INSTRUCCIONES DE MONTAJE

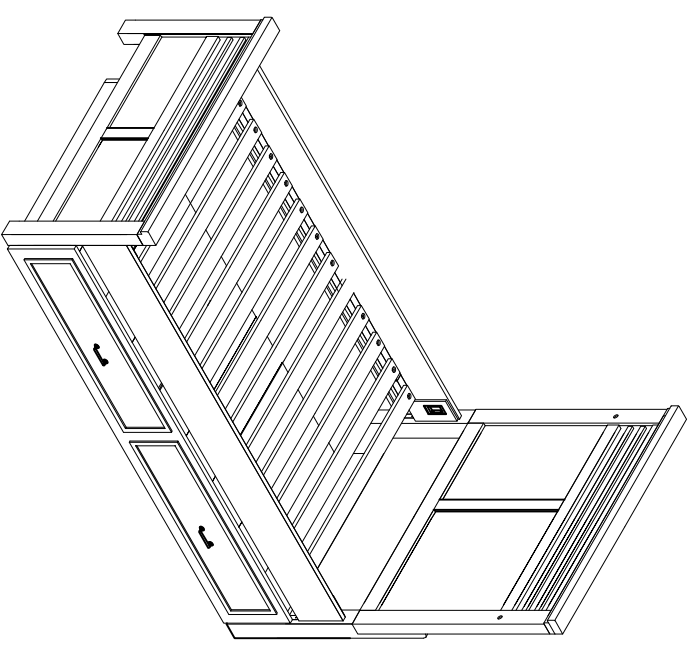
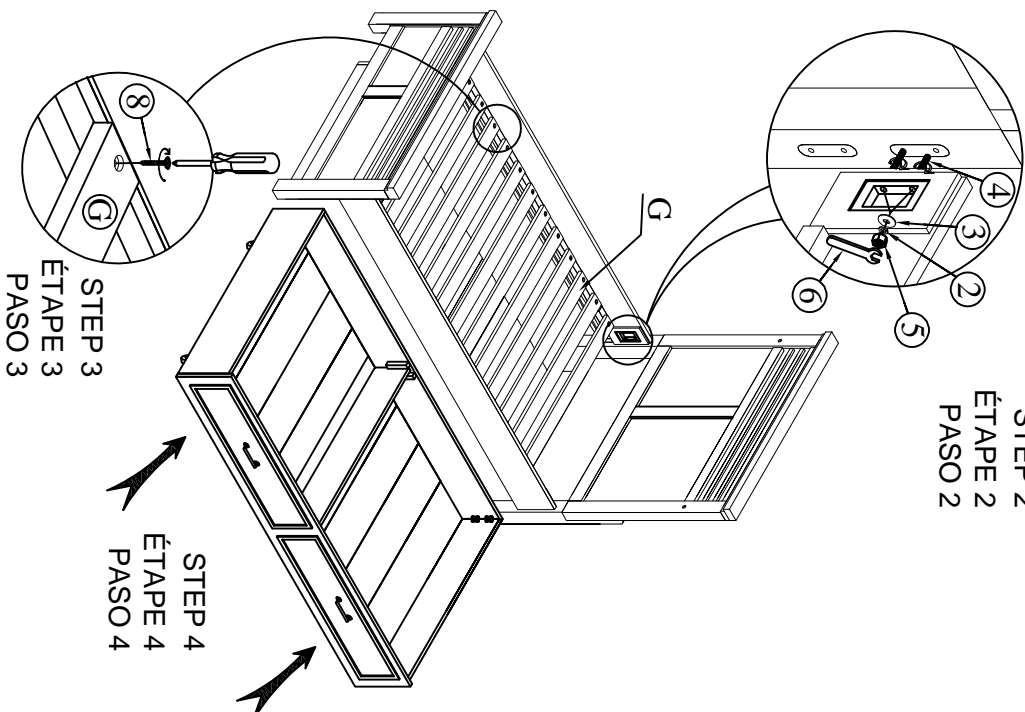
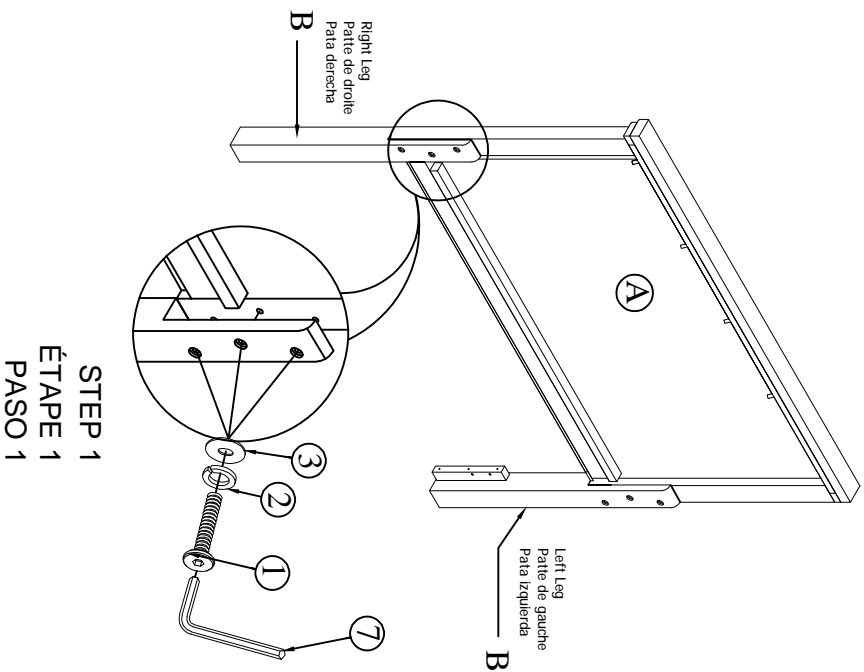
ITEM / NO D'ARTICLE / ARTICULO.: S918-530/531/401

DESCRIPTION / DESCRIPCION : 3/3 Panel Headboard / Tête de lit simple / Cabecera estilo panel de 3/3

3/3 Panel Footboard & Slats / Pied de lit simple avec lattes / Pie de cama estilo panel de 3/3 con listones

3/3 & 4/6 Set of Side Rails/ 3/3 & 4/6 - Ensemble de traverses / 3/3 & 4/6 - Juego de travesaños laterales

Option with trundle



*Replaceable Part

REPLACEABLE PART / PARTIE REMPLACABLE / PARTE REEMPLAZABLE

ITEM / NO D'ARTICLE / ARTICULO.: S918-530/531/401

DESCRIPTION / DESCRIPCION : 3/3 Panel Headboard / Tête de lit simple / Cabecera estilo panel de 3/3

3/3 Panel Footboard & Slats / Pied de lit simple avec lattes / Pie de cama estilo panel de 3/3 con listones
3/3 & 4/6 Set of Side Rails/ 3/3 & 4/6 - Ensemble de traverses / 3/3 & 4/6 - Juego de travesaños laterales



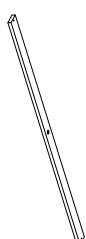
x1 RS918-530-LEGR-Right Leg
Pattee de droite
Pata derecha

*



x1 RS918-530-LEGL-Left Leg
Pattee de gauche
Pata izquierda

*



x5 RS918-531-SLAT-Slat
Lattes
Listones

*



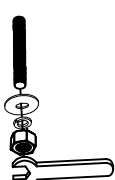
x5 RS918-251-SULEG-Support Leg
Pattes de supports
Patas de apoyo de listones

*



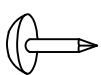
x1 RS918-530-HWKIT-Hardware kit list
Liste des pièces de quincaillies
Lista del kit de materiales

*



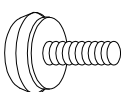
x1 RS918-401-HWKIT-Hardware kit list
Liste des pièces de quincaillies
Lista del kit de materiales

*



x4 RC-BR-NAIL-Brown Plastic nail
Clou en plastique
Clavo de plástico

*



x5 RC-FG-BROWN-Brown leveler
Niveleadora marron
Niveleur marron

*



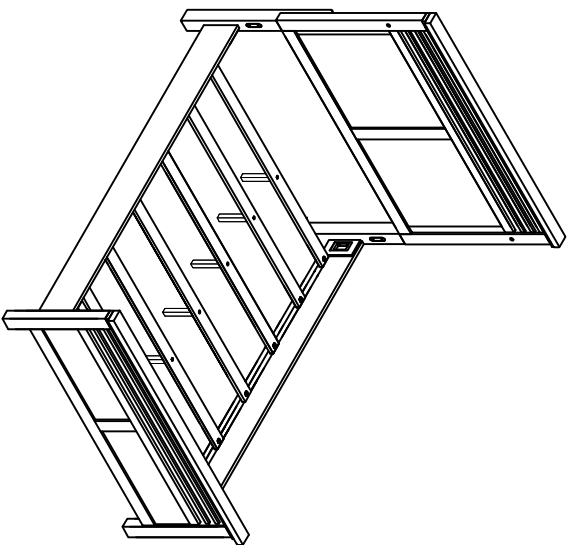
x10 RS918-251-SCREW-Wood Screw
Vis à bois
Tornillo para madera

*



x26 RS918-401-RSCREW-Slat Roll Screw
Vis de rouleau de latte
Tornillo de rollo de listones

*



* Replaceable Part

Protect Your Wood or Laminate Flooring

*This statement applies to any floor without carpet.

If not careful, all furniture including upholstery and case pieces can scratch, scuff and even gouge floors. The recommendation is to have felt, rubber pads or area rugs under furniture on flooring without carpet.

Moving your furniture

Pushing and dragging furniture over floors without carpet can lead to scratches and scuffs. Have someone help when moving the larger pieces of furniture by lifting, try using a dolly or moving pads.

Felt and rubber pads

Applying furniture pads to the feet of furniture helps cushion contact points. Furniture pads can be found at local hardware stores. Felt pads slide easily across the floor, making them ideal for dining chairs and other pieces that move with use. Rubber pads will help furniture stay in place and are perfect for larger pieces, like sofas and loveseats.

Area rugs and rug pads

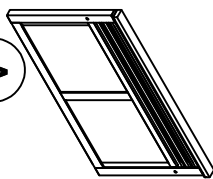
Using an area rug under furniture is another way to protect your floor from scratches and scuff marks. A rug pad under the area rug will provide extra cushion and added protection.

PARTS LIST / LISTE DES PIÈCES / LISTA DE PIEZA

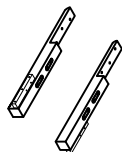
ITEM / NO D'ARTICLE / ARTICULO.: S918-532/533/401

DESCRIPTION / DESCRIPCION : 4/6 Panel Headboard / Tête de lit double / Cabecera estilo panel de 4/6

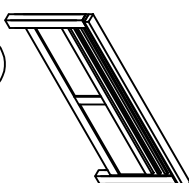
4/6 Panel Footboard & Slats / Pied de lit double avec lattes / Pie de cama estilo panel de 4/6 con listones
3/3 & 4/6 Set of Side Rails/ 3/3 & 4/6 - Ensemble de traverses / 3/3 & 4/6 - Juego de travesaños laterales



A
x1 Headboard
x1 Tête de lit
x1 Cabecera



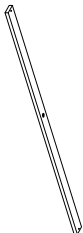
B
x2 Headboard Legs (Left & Right)
x2 Pates de la tête de lit (gauche et droite)
x2 Patas de cabecera (Izquierda y derecha)



C
x1 Footboard
x1 Pied de lit
x1 Pie de cama



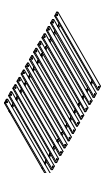
D
x2 Side Rails
x2 Côtés de lit
x2 Lateraleros laterales



E
x5 Slats
x5 Lattes
x5 Listones



F
x5 Support Legs
x5 Pates de support
x5 Patas de soporte



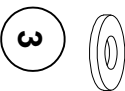
G
x1 Slats Roll
x1 Rouleau de Lattes
x1 Rollo de Lamas



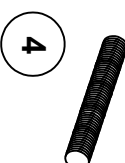
1
x6 Allen bolt Ø5/16" x 2"
x6 Vis à tête creuse hexagonale Ø5/16" x 2"
x6 Perno Allen Ø5/16" x 2"



2
x14 Lock washer Ø5/16" x 13/2mm
x14 Rondelle de blocage Ø5/16" x 13/2mm
x14 Arandela de Seguridad Ø5/16" x 13/2mm



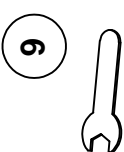
3
x14 Flat washer Ø5/16" x 19/2mm
x14 Rondelle plate Ø5/16" x 19/2mm
x14 Arandela plana Ø5/16" x 19/2mm



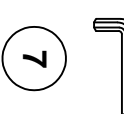
4
x8 Hanger bolt Ø5/16" x 3-1/2"
x8 Boulon-vis Ø5/16" x 3-1/2"
x8 Perno de suspension Ø5/16" x 3-1/2"



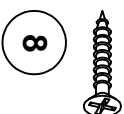
5
x8 Hex nut Ø5/16" x 12 x 6mm
x8 Ecrou hexagonal Ø5/16" x 12 x 6mm
x8 Tuerca hexagona Ø5/16" x 12 x 6mm



6
x1 Open wrench M12xL190mm
x1 Clé à fourche M12xL190mm
x1 Llave de boca M12xL190mm

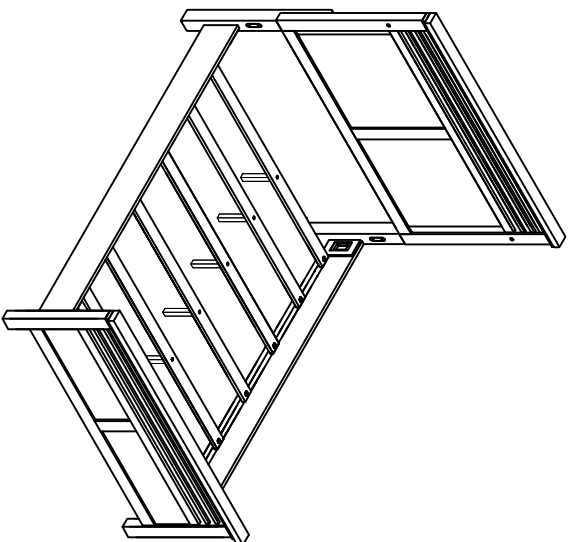


7
x1 Allen key M4
x1 Clé hexagonale
x1 Llave Allen



8
x36 Wood Screw #8x30mm
x36 Vis à bois #8x30mm
x36 Tornillo para madera #8x30mm

*** Replaceable Part**



ASSEMBLY INSTRUCTION / NOTICE DE MONTAGE / INSTRUCCIONES DE MONTAJE

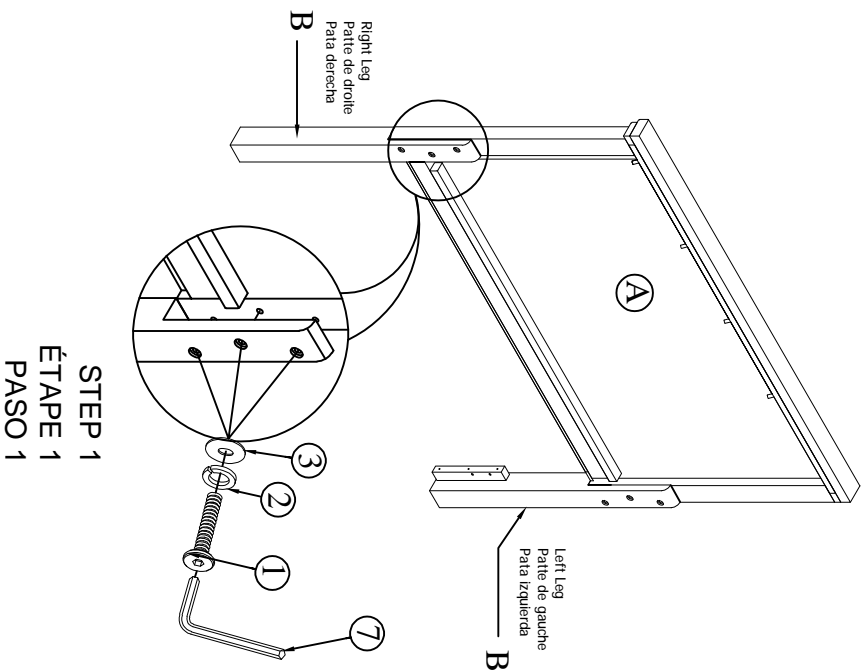
ITEM / NO D'ARTICLE / ARTICULO.: S918-532/533/401

DESCRIPTION / DESCRIPCION : 4/6 Panel Headboard / Tête de lit double / Cabecera estilo panel de 4/6

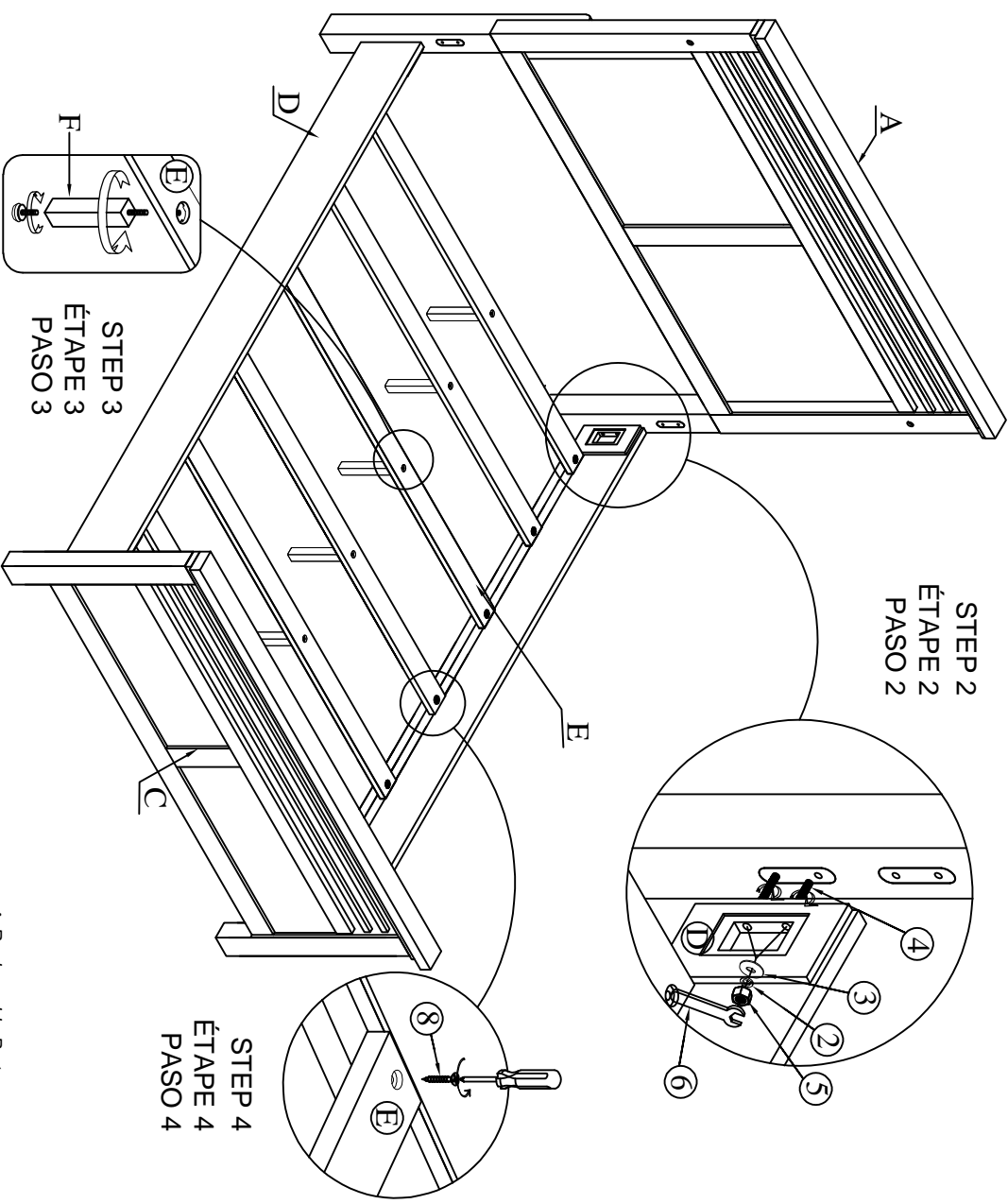
4/6 Panel Footboard & Slats / Pied de lit double avec lattes / Pie de cama estilo panel de 4/6 con listones

3/3 & 4/6 Set of Side Rails/ 3/3 & 4/6 - Ensemble de traverses / 3/3 & 4/6 - Juego de travesaños laterales

Option 1



STEP 1
ÉTAPE 1
PASO 1



* Replaceable Part

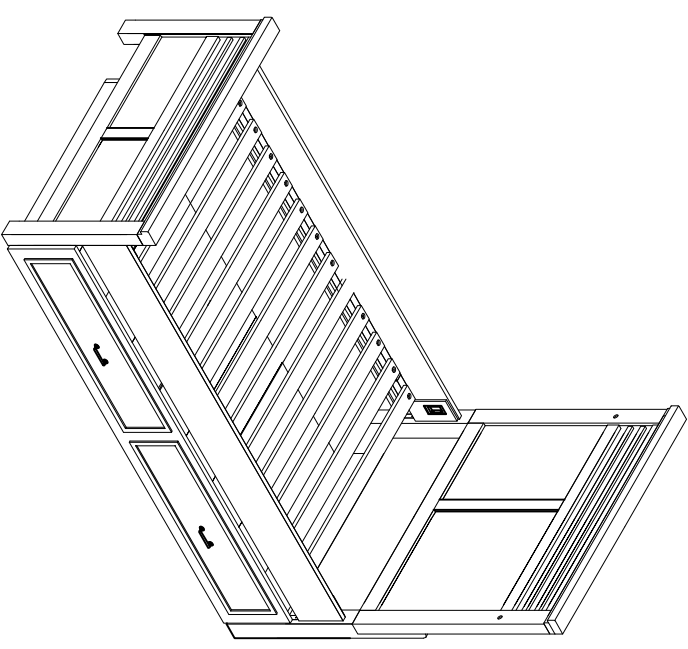
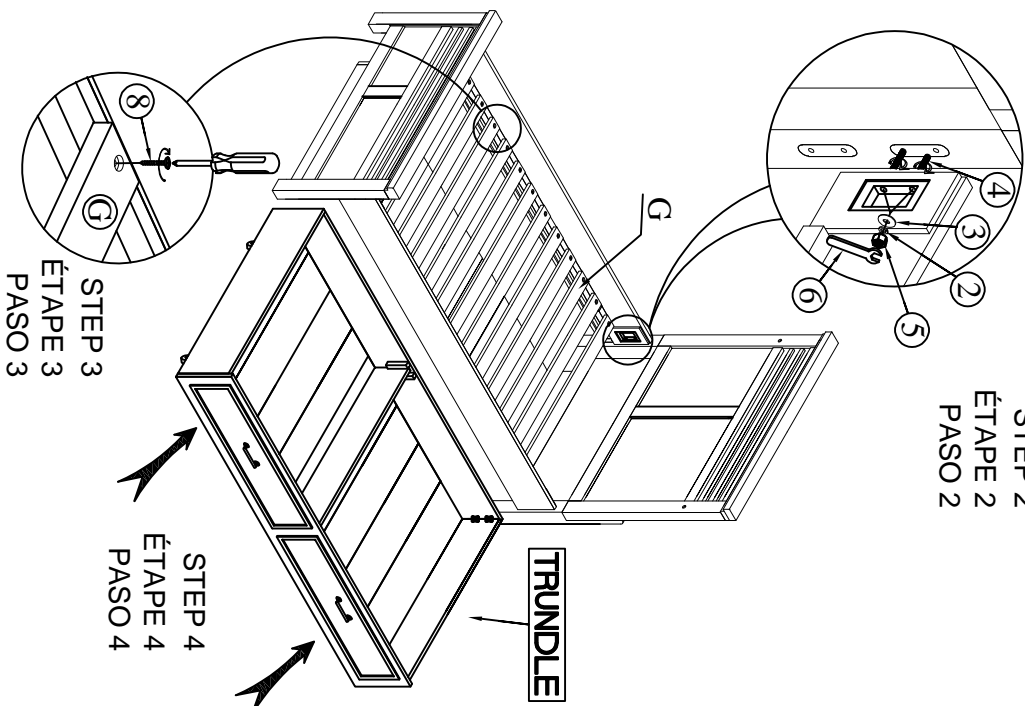
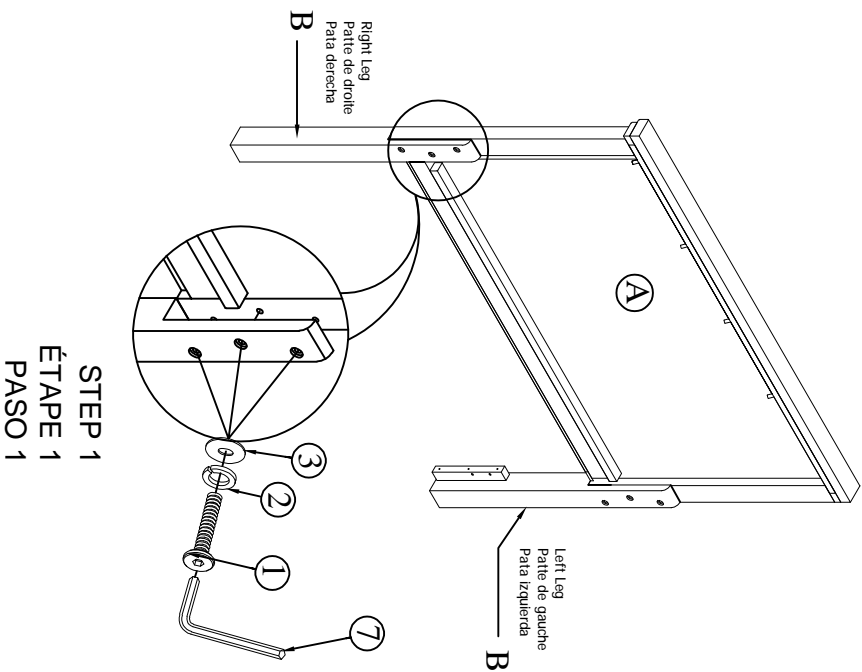
ASSEMBLY INSTRUCTION / NOTICE DE MONTAGE / INSTRUCCIONES DE MONTAJE

ITEM / NO D'ARTICLE / ARTICULO.: S918-532/533/401

DESCRIPTION / DESCRIPCION : 4/6 Panel Headboard / Tête de lit double / Cabecera estilo panel de 4/6

4/6 Panel Footboard & Slats / Pied de lit double avec lattes / Pie de cama estilo panel de 4/6 con listones
3/3 & 4/6 Set of Side Rails/ 3/3 & 4/6 - Ensemble de traverses / 3/3 & 4/6 - Juego de travesaños laterales

Option with trundle



*Replaceable Part

REPLACEABLE PART / PARTIE REMPLACABLE / PARTE REEMPLAZABLE

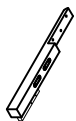
ITEM / NO D'ARTICLE / ARTICULO.: S918-532/533/401

DESCRIPTION / DESCRIPCION : 4/6 Panel Headboard / Tête de lit double / Cabecera estilo panel de 4/6

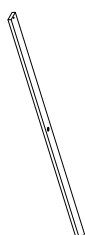
3/3 & 4/6 Set of Side Rails/ 3/3 & 4/6 - Ensemble de traverses / 3/3 & 4/6 - Juego de travesaños laterales



x1 RS918-530-LEGR-Right Leg
Pattee de droite
Pata derecha



x1 RS918-530-LEGL-Left Leg
Pattee de gauche
Pata Izquierda



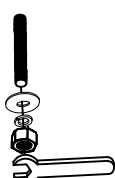
x5 RS918-533-SLAT- Slat
Lattes
Listones



x5 RS918-251-SULEG-Support Leg
Pattes de supports
Patas de apoyo de listones



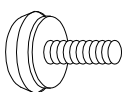
x1 RS918-530-HWKIT-Hardware kit list
Liste des pièces de quincailleries
Lista del kit de materiales



x1 RS918-401-HWKIT-Hardware kit list
Liste des pièces de quincailleries
Lista del kit de materiales



x4 RC-BR-NAIL- Brown Plastic nail
Clou en plastique
Clavo de plástico



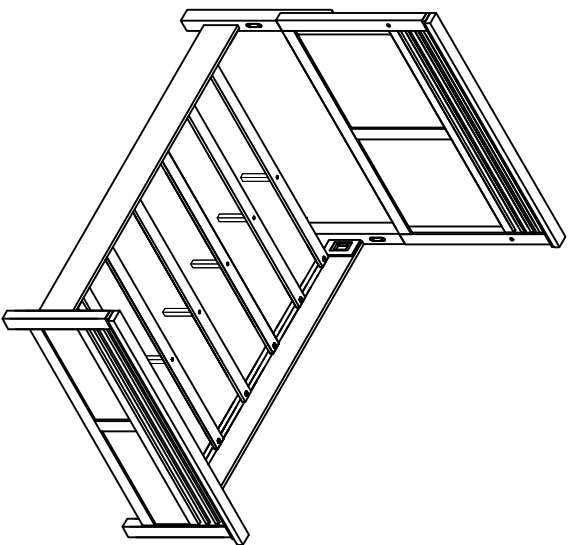
x5 RC-FG-BROWN-Brown leveler
Niveleadora marron
Niveleur marron



x10 RS918-251-SCREW-Wood Screw
Vis à bois
Tornillo para madera



x26 RS918-401-RSCREW- Slat Roll Screw
Vis de rouleau de latte
Tornillo de rollo de listones



*Replaceable Part

Protect Your Wood or Laminate Flooring

*This statement applies to any floor without carpet.

If not careful, all furniture including upholstery and case pieces can scratch, scuff and even gouge floors. The recommendation is to have felt, rubber pads or area rugs under furniture on flooring without carpet.

Moving your furniture

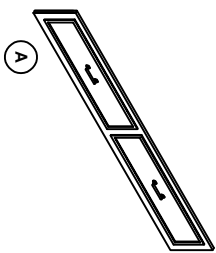
Pushing and dragging furniture over floors without carpet can lead to scratches and scuffs. Have someone help when moving the larger pieces of furniture by lifting, try using a dolly or moving pads.

Felt and rubber pads

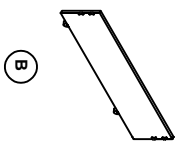
Applying furniture pads to the feet of furniture helps cushion contact points. Furniture pads can be found at local hardware stores. Felt pads slide easily across the floor, making them ideal for dining chairs and other pieces that move with use. Rubber pads will help furniture stay in place and are perfect for larger pieces, like sofas and loveseats.

Area rugs and rug pads

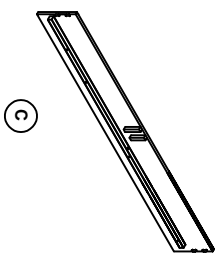
Using an area rug under furniture is another way to protect your floor from scratches and scuff marks. A rug pad under the area rug will provide extra cushion and added protection.



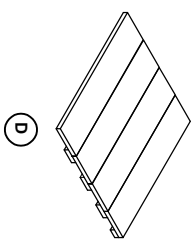
x1 Front Panel
 x1 Panneau avant
 x1 Panel frontal



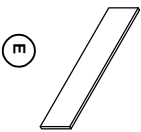
x2 Side Panel
 x2 panneaux latéraux
 x2 paneles laterales



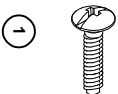
x1 Back Panel
 x1 Panneau arrière
 x1 Panel posterior



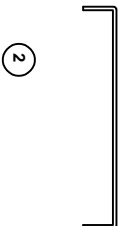
x2 Bottom Panel
 x2 Panneau du bas
 x2 Panel inferior



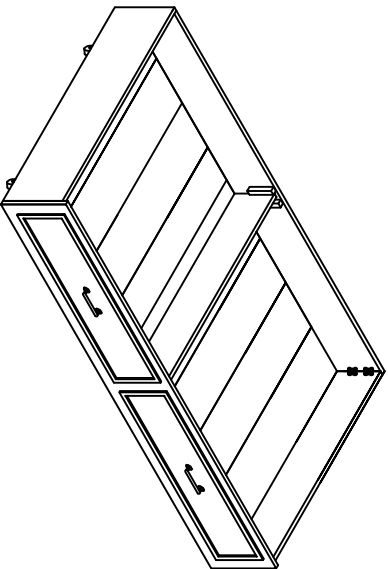
x1 Partition Panel
 x1 Panneau de partition
 x1 Panel de particion



x8 Bolt Ø3/16 * 11mm
 x8 Verrouiller Ø3/16 * 11mm
 x8 Tornillo Ø3/16 * 11mm

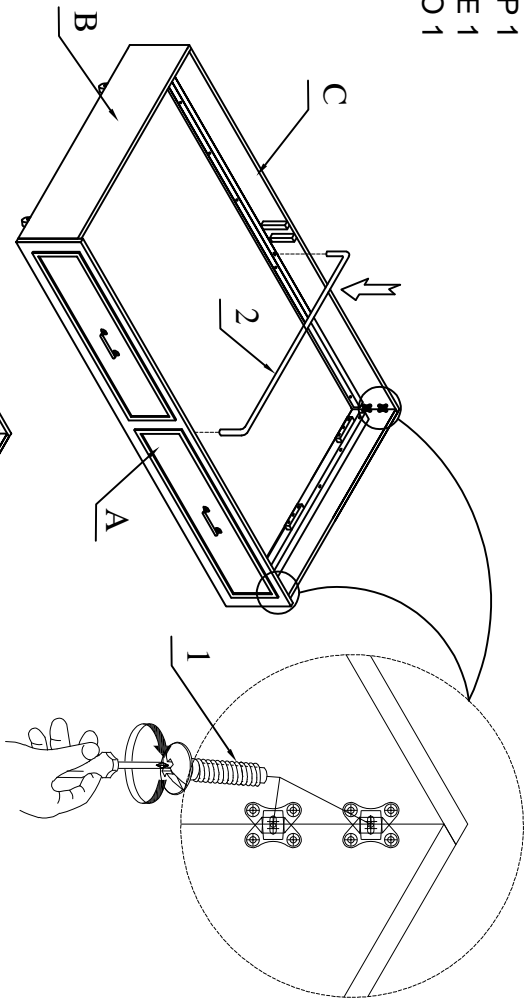


x1 Iron bar
 x1 Barre de fer
 x1 Barra de acero

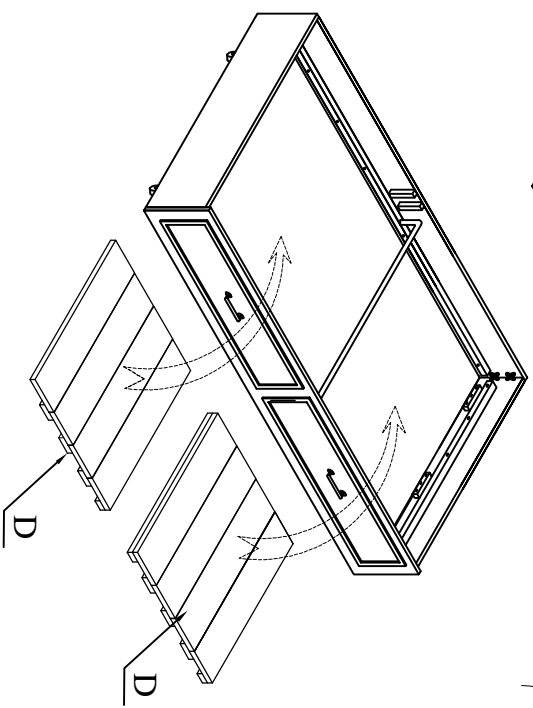


**Replaceable Part*

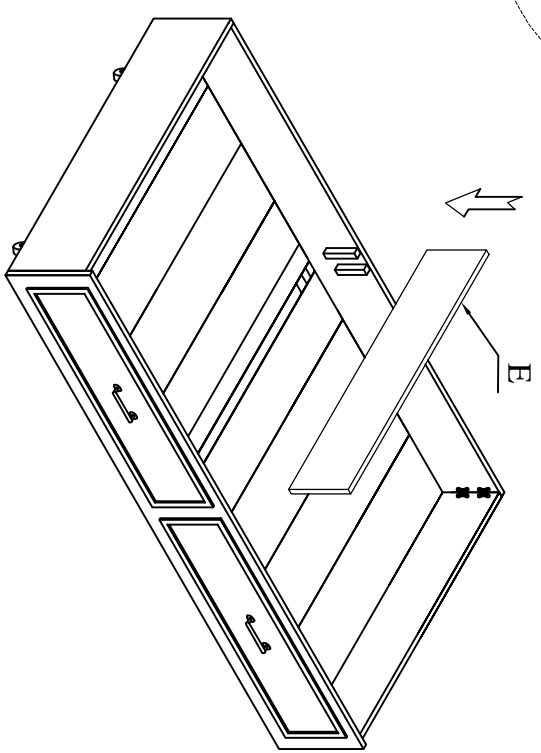
STEP 1
ÉTAPE 1
PASO 1



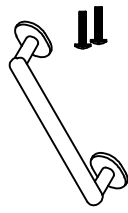
STEP 2
ÉTAPE 2
PASO 2



STEP 3
ÉTAPE 3
PASO 3



** Replaceable Part*



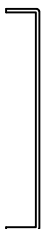
x2 RS918-410-PULL-Pull + with Screw
 Tirer + Vis
 Tira + Tornillo *



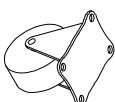
x1 RS918-801-PANEL-Partition Panel
 Panneau de partition
 Panel de particion *



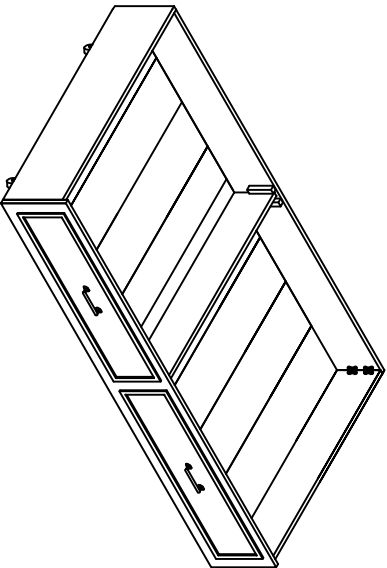
x8 RS918-801-BOLT-Bolt
 Verrouiller
 Tornillo *



x1 RS918-801-BAR-Iron bar
 Barre de fer
 Barra de acero *



x4 RS918-801-WHEEL-Wheels
 Roues
 Ruedas *



*Replaceable Part

Protect Your Wood or Laminate Flooring

*This statement applies to any floor without carpet.

If not careful, all furniture including upholstery and case pieces can scratch, scuff and even gouge floors. The recommendation is to have felt, rubber pads or area rugs under furniture on flooring without carpet.

Moving your furniture

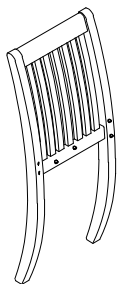
Pushing and dragging furniture over floors without carpet can lead to scratches and scuffs. Have someone help when moving the larger pieces of furniture by lifting, try using a dolly or moving pads.

Felt and rubber pads

Applying furniture pads to the feet of furniture helps cushion contact points. Furniture pads can be found at local hardware stores. Felt pads slide easily across the floor, making them ideal for dining chairs and other pieces that move with use. Rubber pads will help furniture stay in place and are perfect for larger pieces, like sofas and loveseats.

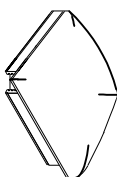
Area rugs and rug pads

Using an area rug under furniture is another way to protect your floor from scratches and scuff marks. A rug pad under the area rug will provide extra cushion and added protection.



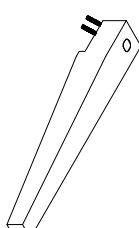
(A)

- x1 Chair Back *
- x1 Dossier de chaise
- x1 Respaldo de silla



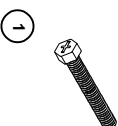
(B)

- x1 Seat Frame with Cushion *
- x1 Cadre de siège avec coussin
- x1 Armazón del asiento con cojín



(C)

- x2 Front Leg *
- x2 Jambe avant
- x2 Pata delantera



(1)

- x4 Allen bolt Ø5/16 * 75mm *
- x4 Vis à tête creuse hexagonale Ø5/16 * 75mm
- x4 Perno Allen Ø5/16 * 75mm



(2)

- x2 Allen bolt Ø5/16 * 40mm *
- x2 Vis à tête creuse hexagonale Ø5/16 * 40mm
- x2 Perno Allen Ø5/16 * 40mm



(3)

- x10 Lock washer Ø5/16**13*2mm *
- x10 Rondelle de blocage Ø5/16**13*2mm
- x10 Arandela de Seguridad Ø5/16**13*2mm



(4)

- x10 Flat washer Ø5/16**19*2mm *
- x10 Rondelle plate Ø5/16**19*2mm
- x10 Arandela plana Ø5/16**19*2mm



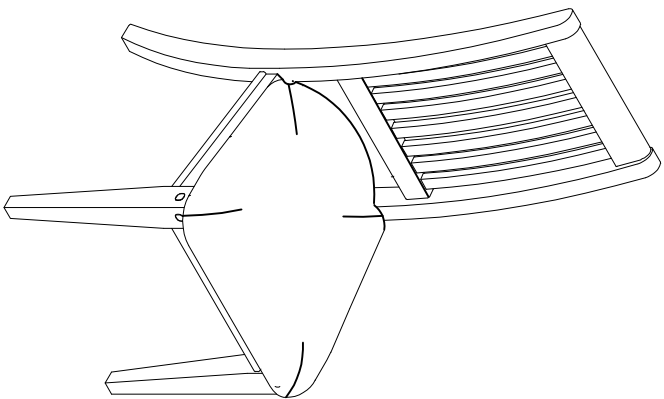
(5)

- x4 Hex nut 12*12*6mm *
- x4 Ecrou hexagonal 12*12*6mm
- x4 Tuercas hexagona 2*12*6mm



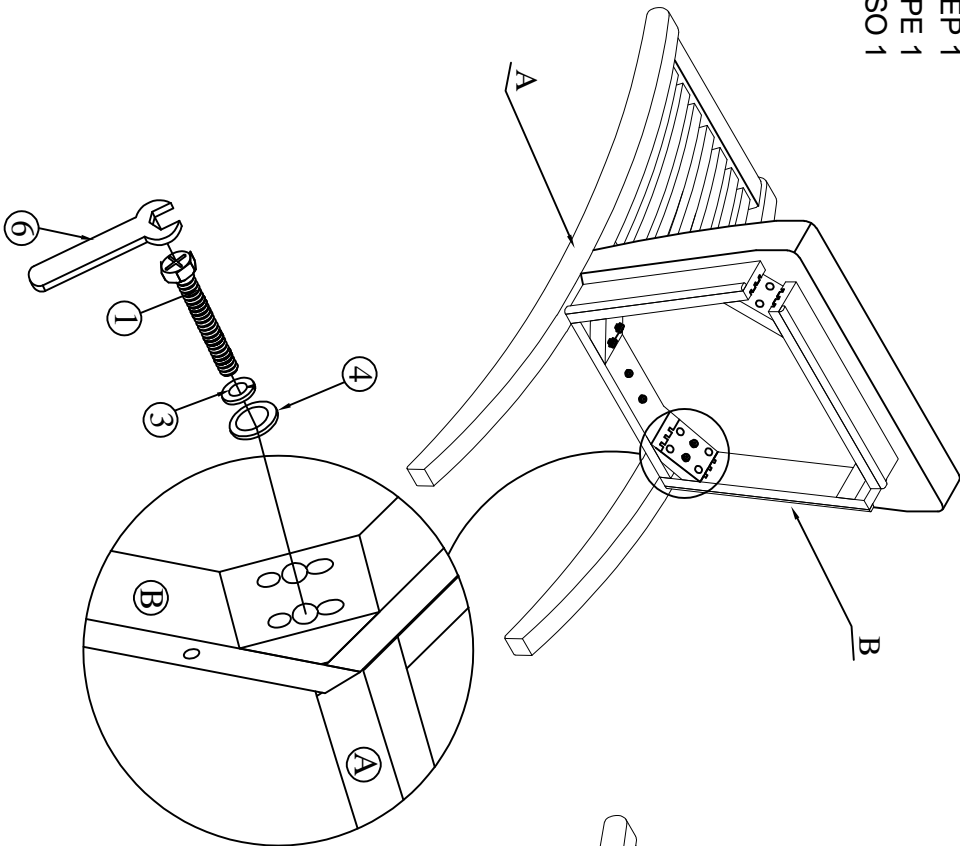
(6)

- x1 Open wrench 12mm *
- x1 Clé à fourche 12mm
- x1 Llave de boca 12mm

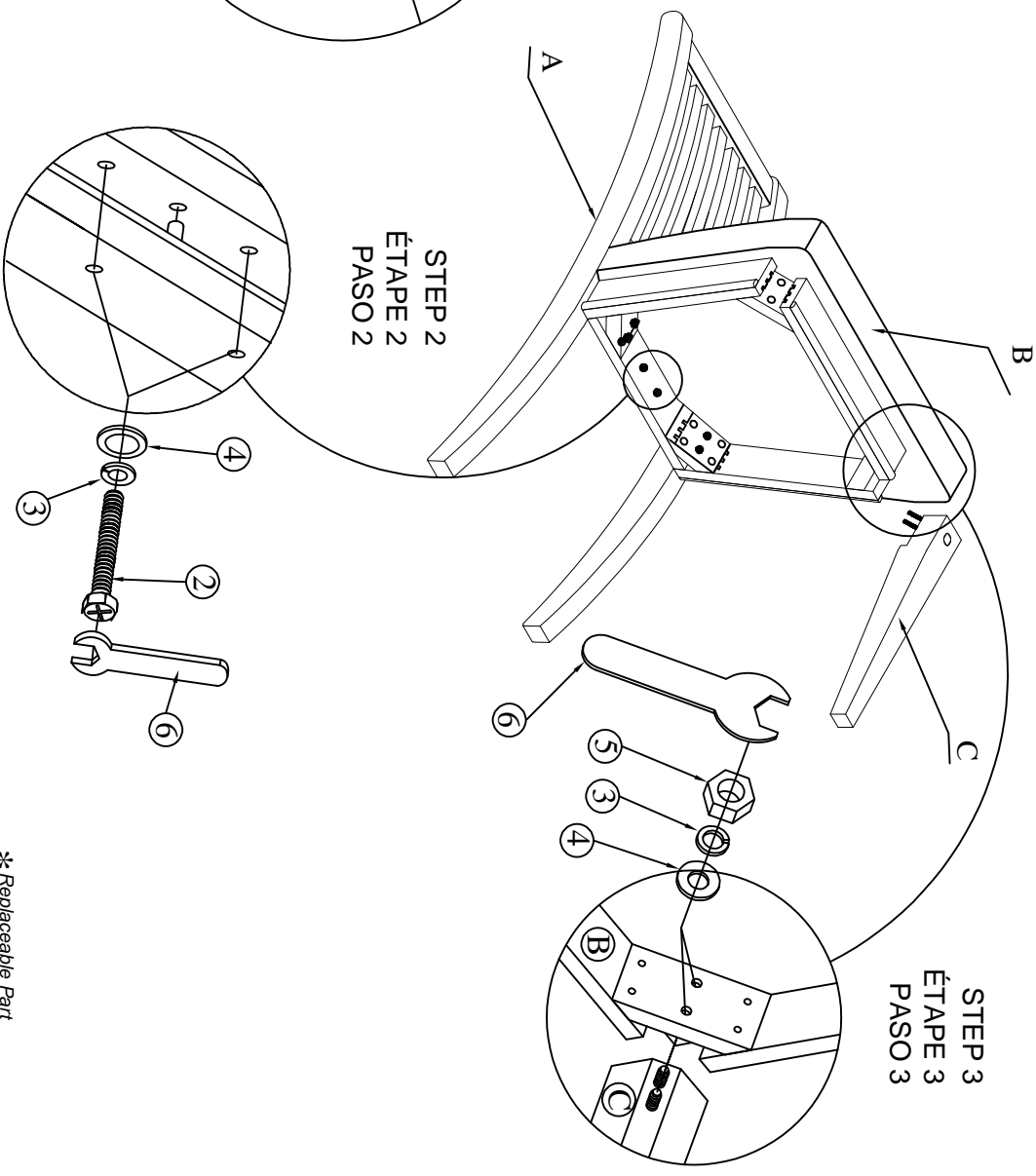


*Replaceable Part

STEP 1
ÉTAPE 1
PASO 1



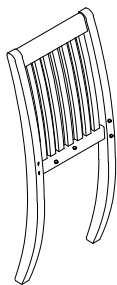
STEP 2
ÉTAPE 2
PASO 2



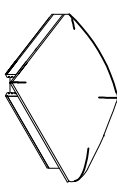
STEP 3
ÉTAPE 3
PASO 3

* Replaceable Part

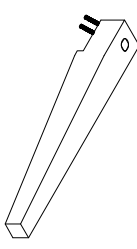
REPLACEABLE PART / PARTIE REMPLACABLE / PARTE REEMPLAZABLE
ITEM / NO D'ARTICLE / ARTICULO.: S918-452
DESCRIPTION / DESCRIPCION : Desk Chair / Chaise de bureau / Silla de mesa



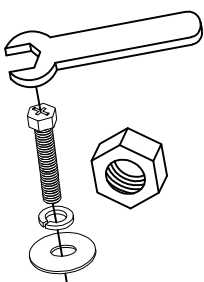
x1 RS918-452-BACK-Chair Back
 Dossier de chaise
 Respaldo de silla *



x1 RS918-452-CUS-Seat Frame with Cushion
 Cadre de siège avec coussin
 Armazon del asiento con cojín *



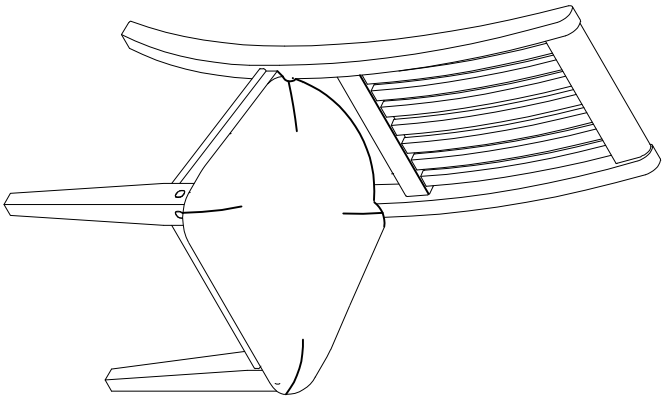
x2 RS918-452-LEG-Front Leg
 Jambes avant
 Pata delantera *



x1 RS918-452-HWKIT-Nardware kit list
 Liste des pièces de quincailleries
 Lista del kit de materiales *



x4 RC-WH-NAIL-White Plastic nail
 Clou en plastique
 Clavo de plástico *



* Replaceable Part

Protect Your Wood or Laminate Flooring

*This statement applies to any floor without carpet.

If not careful, all furniture including upholstery and case pieces can scratch, scuff and even gouge floors. The recommendation is to have felt, rubber pads or area rugs under furniture on flooring without carpet.

Moving your furniture

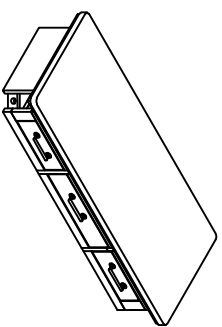
Pushing and dragging furniture over floors without carpet can lead to scratches and scuffs. Have someone help when moving the larger pieces of furniture by lifting, try using a dolly or moving pads.

Felt and rubber pads

Applying furniture pads to the feet of furniture helps cushion contact points. Furniture pads can be found at local hardware stores. Felt pads slide easily across the floor, making them ideal for dining chairs and other pieces that move with use. Rubber pads will help furniture stay in place and are perfect for larger pieces, like sofas and loveseats.

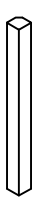
Area rugs and rug pads

Using an area rug under furniture is another way to protect your floor from scratches and scuff marks. A rug pad under the area rug will provide extra cushion and added protection.



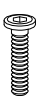
(A)

- x1 Desk Top
- x1 Bureau
- x1 Mesa de tocador



(B)

- x4 Leg
- x4 Jambes *
- x4 Pierna



(1)

- x8 Allen bolt Ø5/16" * 2"
- x8 Vis à tête creuse hexagonale Ø5/16" * 2"
- x8 Perno Allen Ø5/16" * 2"



(2)

- x8 Lock washer Ø5/16" * 13*2mm *
- x8 Rondelle de blocage Ø5/16" * 13*2mm
- x8 Arandela de Seguridad Ø5/16" * 13*2mm



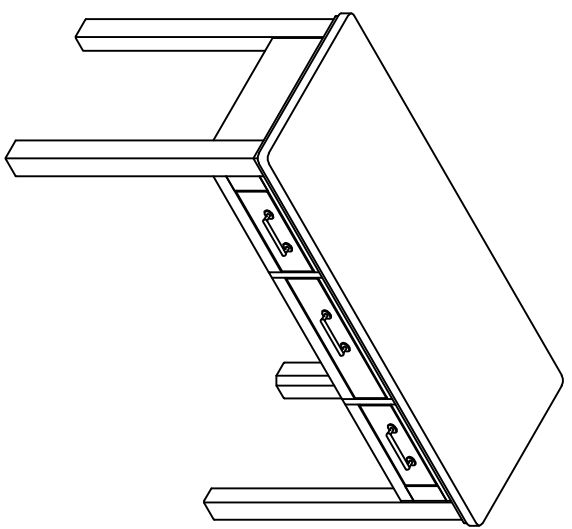
(3)

- x8 Flat washer Ø5/16" * 19*2mm *
- x8 Rondelle plate Ø5/16" * 19*2mm
- x8 Arandela plana Ø5/16" * 19*2mm



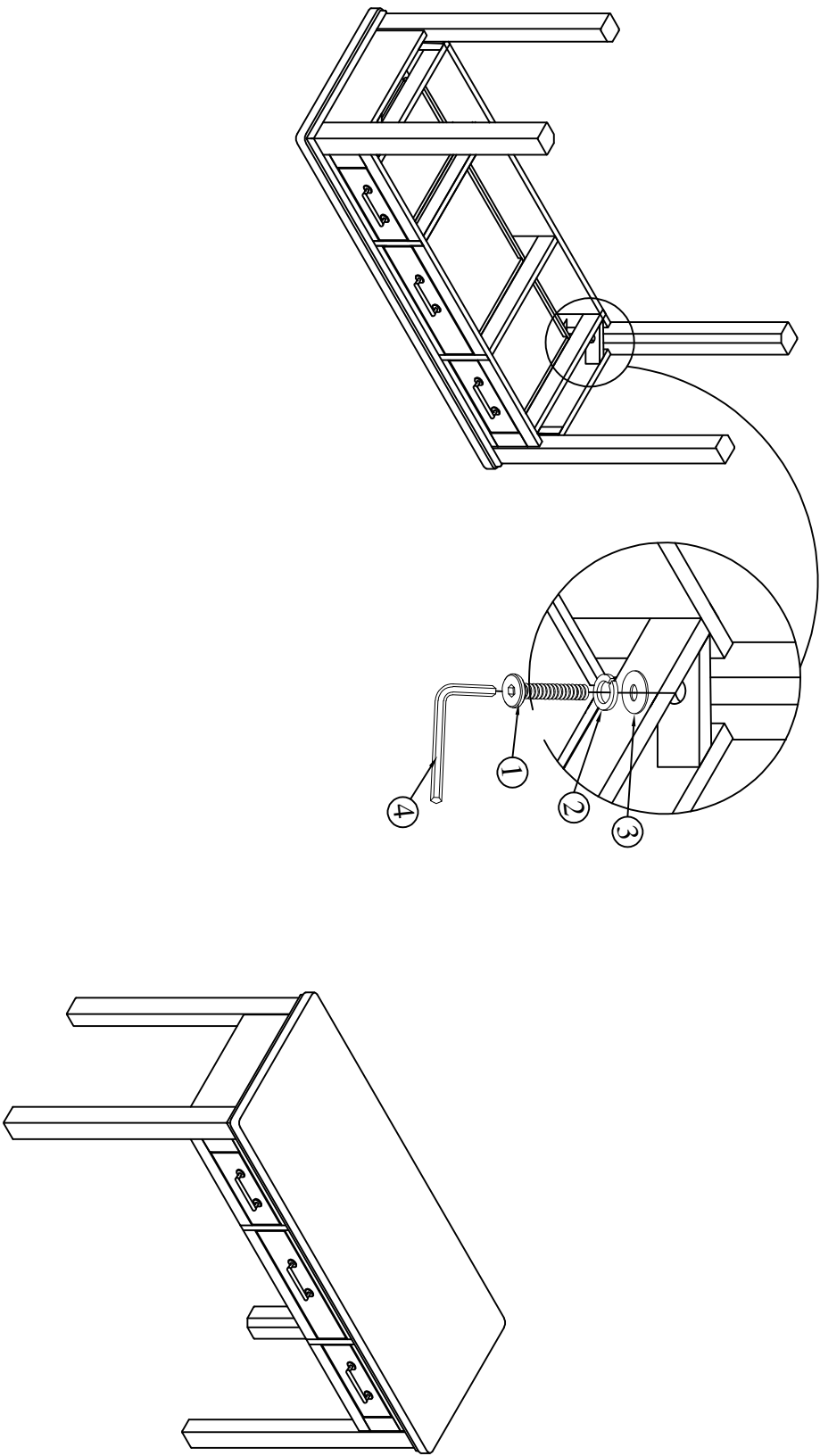
(4)

- x1 Allen key M4 *
- x1 Clé hexagonale
- x1 Llave Allen

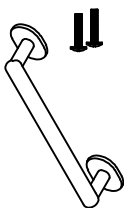


*** Replaceable Part**

STEP 1
ÉTAPE 1
PASO 1



**Replaceable Part*



x3 RS918-410-PULL-Pull + with Screw
 Tirer + Vis
 Tira + Tornillo



x4 RS918-454-LEG-Leg
 Jambes
 Pierna



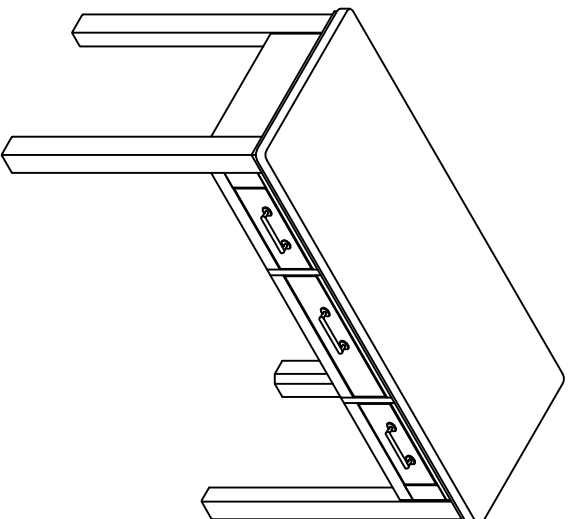
x3 COMGLIDE-10-45 - Drawer Glide
 Glissière de tiroir
 Deslizamiento del cajón



x1 RS918-454-HWKIT-Hardware kit list
 Liste des pièces de quincailleries
 Lista del kit de materiales



x4 RC-BR-NAIL- Brown Plastic nail
 Clou en plastique
 Clavo de plástico



*** Replaceable Part**

Protect Your Wood or Laminate Flooring

*This statement applies to any floor without carpet.

If not careful, all furniture including upholstery and case pieces can scratch, scuff and even gouge floors. The recommendation is to have felt, rubber pads or area rugs under furniture on flooring without carpet.

Moving your furniture

Pushing and dragging furniture over floors without carpet can lead to scratches and scuffs. Have someone help when moving the larger pieces of furniture by lifting, try using a dolly or moving pads.

Felt and rubber pads

Applying furniture pads to the feet of furniture helps cushion contact points. Furniture pads can be found at local hardware stores. Felt pads slide easily across the floor, making them ideal for dining chairs and other pieces that move with use. Rubber pads will help furniture stay in place and are perfect for larger pieces, like sofas and loveseats.

Area rugs and rug pads

Using an area rug under furniture is another way to protect your floor from scratches and scuff marks. A rug pad under the area rug will provide extra cushion and added protection.