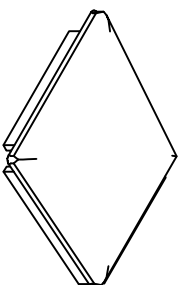


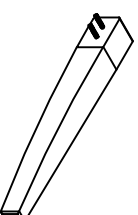
A

- x1 Chair Back *
- x1 Dossier de chaise
- x1 Respaldo de la silla



B

- x1 Seat Cushion *
- x1 Siège avec coussin
- x1 Cojín



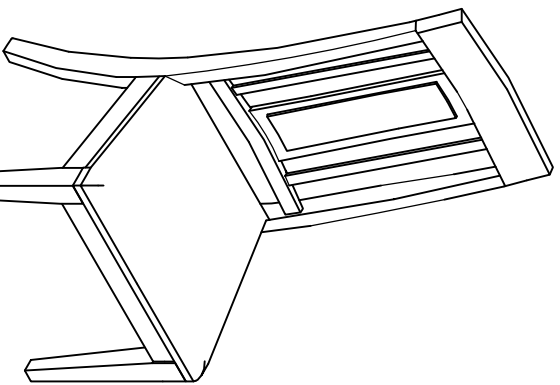
C

- x2 Legs *
- x2 jambes
- x2 Piernas



1

- x4 Allen bolt Ø5/16"x75mm *
- x4 Vis à tête creuse hexagonale Ø5/16"x75mm
- x4 Perno Allen Ø5/16"x75mm



2

- x2 Allen bolt Ø5/16"x38mm *
- x2 Vis à tête creuse hexagonale Ø5/16"x38mm
- x2 Perno Allen Ø5/16"x38mm



3

- x10 Lock washer Ø5/16" *
- x10 Rondelle de blocage Ø5/16"
- x10 Arandela de Seguridad Ø5/16"



4

- x10 Flat Washer Ø5/16"x19x1.5mm *
- x10 Rondelle plate Ø5/16"x19x1.5mm
- x10 Arandela plana Ø5/16"x19x1.5mm



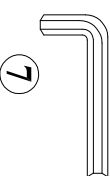
5

- x4 Nuts Ø5/16"x13x8mm *
- x4 Écrou Ø5/16"x13x8mm
- x4 Tuercas Ø5/16"x13x8mm



6

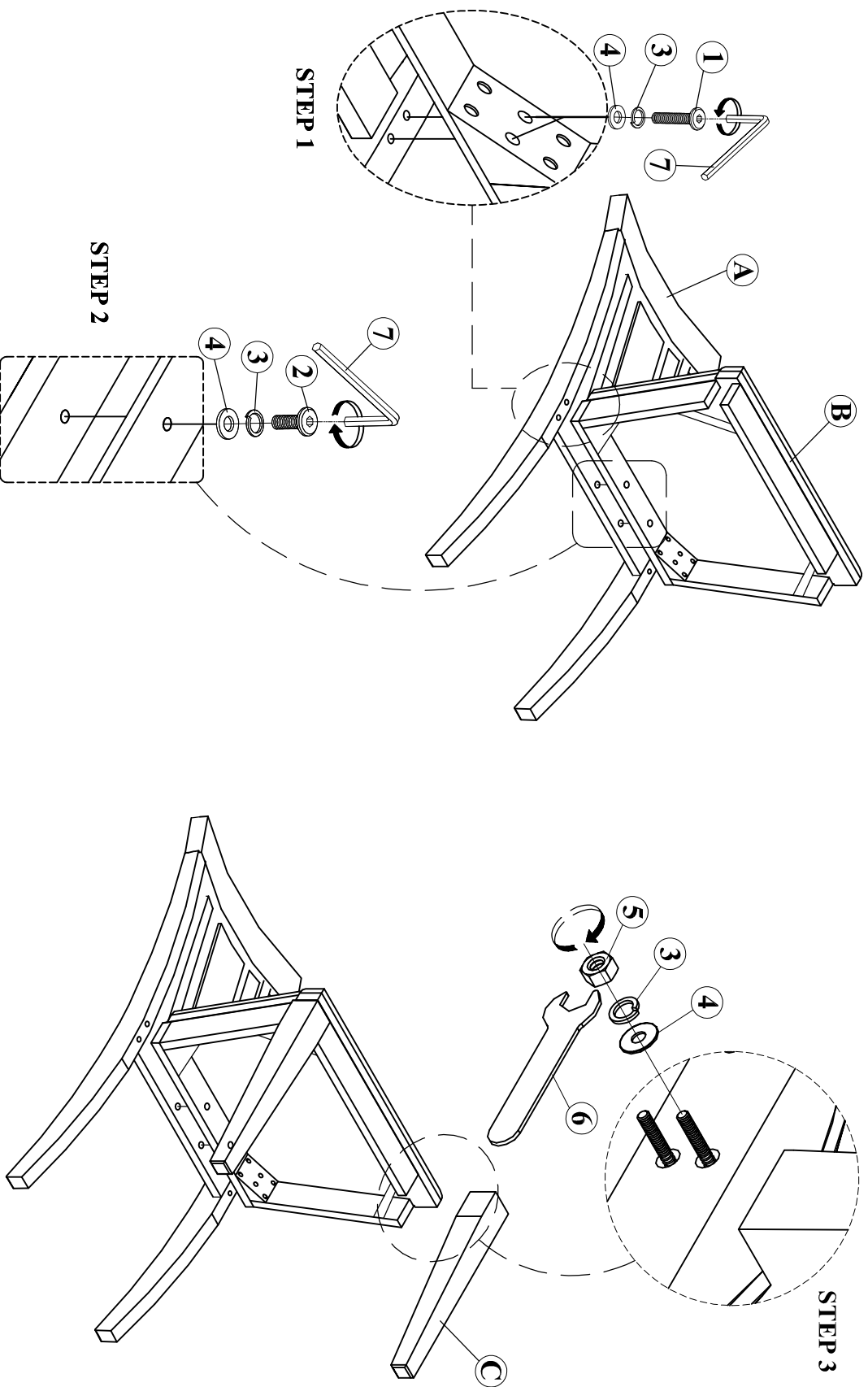
- x1 Hex Wrench *
- x1 Clé hexagonale
- x1 Llave hexagonal



7

- x1 Allen Key 4mm *
- x1 Clé hexagonale 4mm
- x1 Llave Allen 4mm

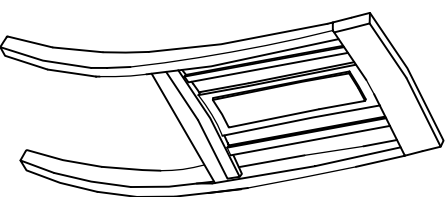
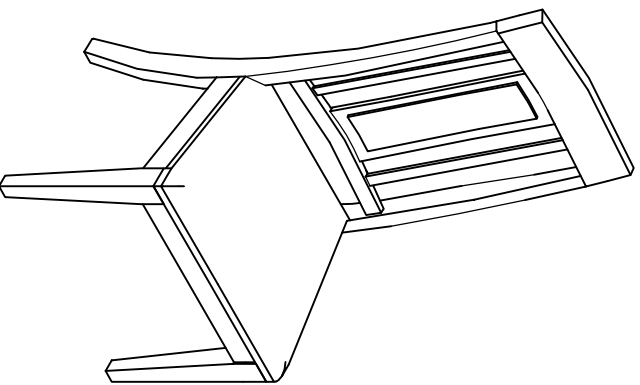
** Replaceable Part*



* *Replaceable Part*

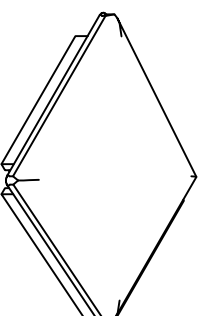
HIF HOOKER

REPLACEABLE PART / PARTIE REMPLAÇABLE / PARTE REMPLAZABLE
ITEM / NO D' ARTICLE / ARTICULO : S916-154
FURNISHINGS DESCRIPTION / DESCRIPTION: Side Chair 2/ctn - Chaise d'appoint 2 pièces par Boîte - Silla 2 unids Por Caja



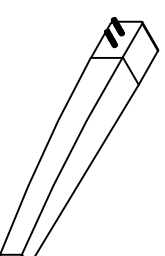
x1 RS916-154-BACK-Chair Back

Dossier de chaise
Respaldio de la silla



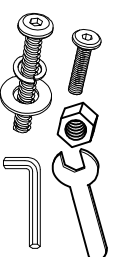
x1 RS916-154-CUS- Seat Cushion

Siège avec coussin
Cojín



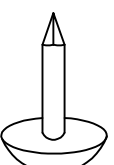
x2 RS916-154 LEG- Leg

jambe
Pierna



x1 RS916-154-HWKIT- Hardware kit list

Liste des pièces de quincaillerie
Lista del kit de materiales



x4 RC-WH-NAIL- White plastic nail

Cloû en plastique
Clavo de plástico

** Replaceable Part*

Protect Your Wood or Laminate Flooring

***This statement applies to any floor without carpet.**

If not careful, all furniture including upholstery and case pieces can scratch, scuff and even gouge floors. The recommendation is to have felt, rubber pads or area rugs under furniture on flooring without carpet.

Moving your furniture

Pushing and dragging furniture over floors without carpet can lead to scratches and scuffs. Have someone help when moving the larger pieces of furniture by lifting, try using a dolly or moving pads.

Felt and rubber pads

Applying furniture pads to the feet of furniture helps cushion contact points. Furniture pads can be found at local hardware stores. Felt pads slide easily across the floor, making them ideal for dining chairs and other pieces that move with use. Rubber pads will help furniture stay in place and are perfect for larger pieces, like sofas and loveseats.

Area rugs and rug pads

Using an area rug under furniture is another way to protect your floor from scratches and scuff marks. A rug pad under the area rug will provide extra cushion and added protection.