

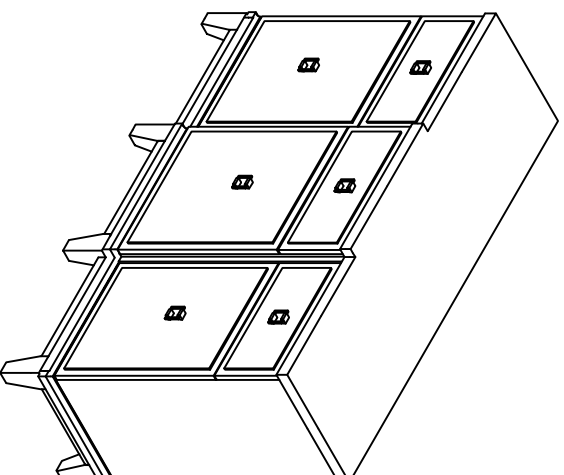
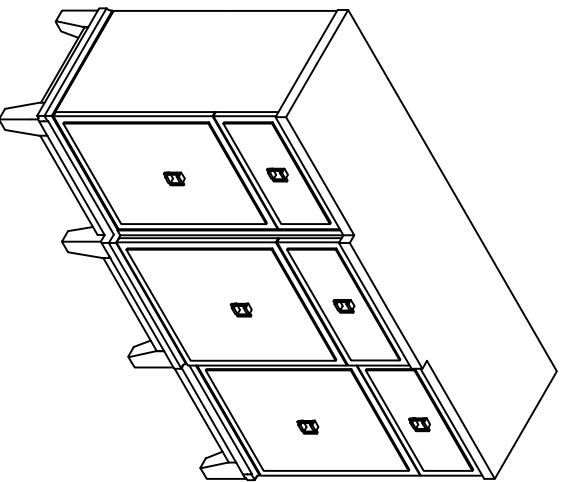


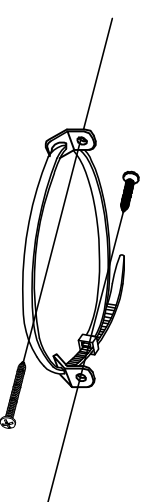
# HIF | HOOKER FURNISHINGS

**PARTS LIST / LISTE DES PIÈCES / LISTA DE PIEZAS**  
 ITEM / NO D' ARTICLE / ARTICULO : S916-146  
 DESCRIPTION / DESCRIPCIÓN: SERVER / DESSERTTE / APARADOR

	
<b>WARNING</b>	
<p>Children have died from furniture tipover. To reduce the risk of furniture tipover:</p> <ul style="list-style-type: none"> <li>· ALWAYS install Anti-tip device provided.</li> <li>· NEVER put a TV on this product.</li> <li>· NEVER allow children to stand, climb or hang on any drawers, doors, or shelves.</li> <li>· NEVER open more than one drawer at a time.</li> <li>· PLACE heaviest items in the lowest drawers.</li> </ul> <p>This is a permanent label. Do not remove!</p>	



- x1 Server
- x1 Desserte
- x1 Aparador





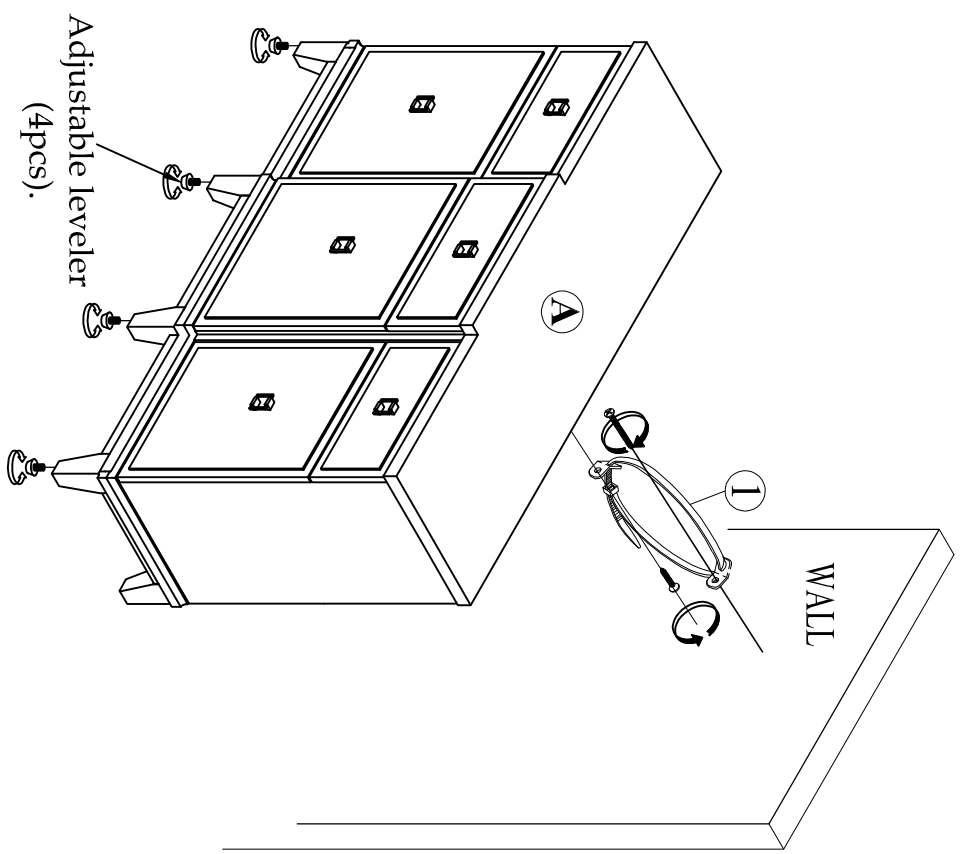
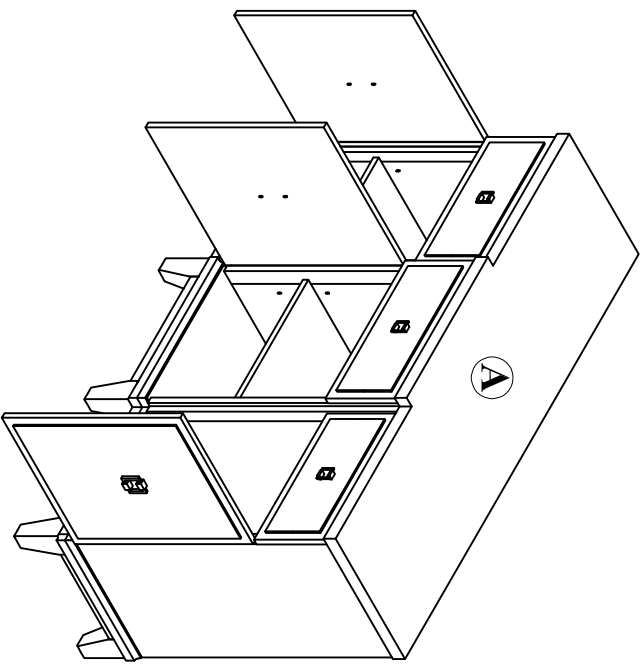
- x1 Furniture Tipping Restraint \*
- x1 Systeme antibasculement
- x1 Control para evitar vuelcos

*\* Replaceable Part*

# HIF | HOOKER FURNISHINGS

ASSEMBLY INSTRUCTIONS / NOTICE DE MONTAGE / INSTRUCCIONES DE MONTAJE  
 ITEM / NO D' ARTICLE / ARTICULO : S916-146  
 DESCRIPTION / DESCRIPCIÓN: SERVER / DESSERTTE / APARADOR

	
<b>WARNING</b>	
<p>Children have died from furniture tipover. To reduce the risk of furniture tipover:</p> <ul style="list-style-type: none"> <li>· ALWAYS install Anti-tip device provided.</li> <li>· NEVER put a TV on this product.</li> <li>· NEVER allow children to stand, climb or hang on any drawers, doors, or shelves.</li> <li>· NEVER open more than one drawer at a time.</li> <li>· PLACE heaviest items in the lowest drawers.</li> </ul> <p>This is a permanent label. Do not remove !</p>	





Adjustable leveler  
(4pcs).

*\* Replaceable Part*

# HIF | HOOKER FURNISHINGS

REPLACEABLE PART / PARTIE REMPLAÇABLE / PARTE REMPLAZABLE  
ITEM / NO D' ARTICLE / ARTICULO : S916-146  
DESCRIPTION / DESCRIPCIÓN: SERVER / DESSERTTE / APARADOR

	<b>WARNING</b>
	
<p>Children have died from furniture tipover. To reduce the risk of furniture tipover:</p> <ul style="list-style-type: none"> <li>· ALWAYS install Anti-tip device provided.</li> <li>· NEVER put a TV on this product.</li> <li>· NEVER allow children to stand, climb or hang on any drawers, doors, or shelves.</li> <li>· NEVER open more than one drawer at a time.</li> <li>· PLACE heaviest items in the lowest drawers.</li> </ul> <p>This is a permanent label. Do not remove !</p>	



x6 RS916-010-PULL- Pull+ Screw \*  
Poignée + vis  
Tirador + Tornillo



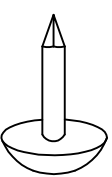
x3 COMGLIDE-10-45- Common Glide 10in-45mm \*  
Tiroir Glide  
Deslizamiento del cajón



x4 RC-FG-WHITE-White leveler  
Patin réglable  
Nivelador ajustable



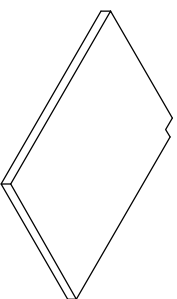
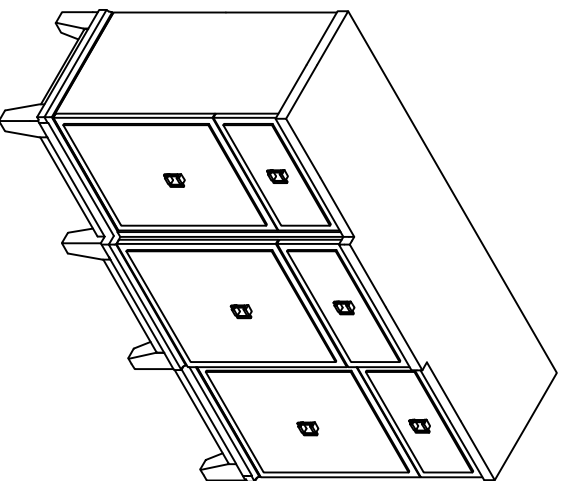
x1 RC-ANTI-TIP- Anti-tipping Restraint  
Liste des pièces de quincaillerie antibascullement  
Lista del kit de materiales antivuelco



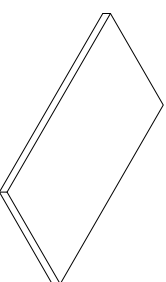
x2 RC-WH-NAIL- White plastic nail  
Clou en plastique  
Clavo de plástico



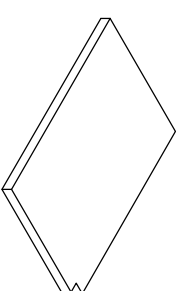
x12 RS916-146-SUPP- Shelf Support \*  
Supports Pour Tablette  
Soporte De Las Repisas



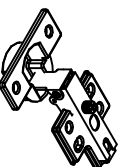
x1 RS916-146-SHELF- Wood shelf Left \*  
Étagère (Gauche)  
Estante (Izquierda)



x1 RS916-146-SHELF-C- Center wood shelf \*  
Étagère (central)  
Estante (central)



x1 RS916-146-SHELF-R- Wood Shelf Right \*  
Étagère (Droite)  
Estante (Derecha)



x6 RS916-146-HINGE-Door Hinge  
Charnière de porte  
Bisagra de la puerta



x3 RS916-146-CATCH - Door catch  
Catch de aimant  
Captura de imán

\* Replaceable Part

## **Protect Your Wood or Laminate Flooring**

\*This statement applies to any floor without carpet.

If not careful, all furniture including upholstery and case pieces can scratch, scuff and even gouge floors. The recommendation is to have felt, rubber pads or area rugs under furniture on flooring without carpet.

### **Moving your furniture**

Pushing and dragging furniture over floors without carpet can lead to scratches and scuffs. Have someone help when moving the larger pieces of furniture by lifting, try using a dolly or moving pads.

### **Felt and rubber pads**

Applying furniture pads to the feet of furniture helps cushion contact points. Furniture pads can be found at local hardware stores. Felt pads slide easily across the floor, making them ideal for dining chairs and other pieces that move with use. Rubber pads will help furniture stay in place and are perfect for larger pieces, like sofas and loveseats.

### **Area rugs and rug pads**

Using an area rug under furniture is another way to protect your floor from scratches and scuff marks. A rug pad under the area rug will provide extra cushion and added protection.