



**PARTS LIST / LISTE DES PIÈCES / LISTA DE PIEZA**

ITEM / NO D'ARTICLE / ARTICULO.: S806-050

DESCRIPTION/ DESCRIPCION : Nightstand / Table de chevet / Mesa de noche

**⚠ WARNING**

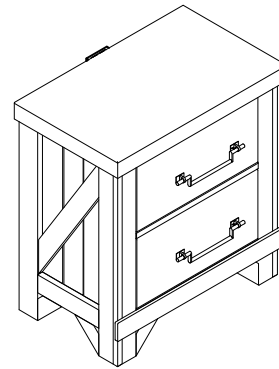
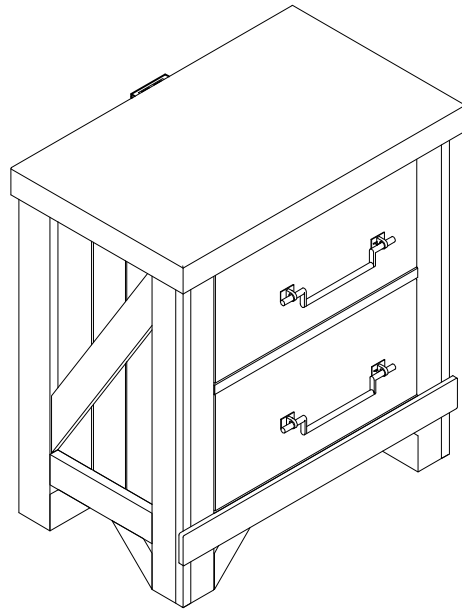


Children have died from furniture tipover. To reduce the risk of furniture tipover:

- ALWAYS install tipover restraint provided.
- NEVER put a TV on this product.
- NEVER allow children to stand, climb or hang on drawers, doors, or shelves.
- NEVER open more than one drawer at a time.
- Place heaviest items in the lowest drawers.

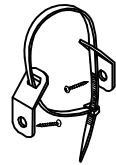


*This is a permanent label. Do not remove!*



**A**

x1 Nightstand  
x1 Table de chevet  
x1 Mesa de noche



**B**

x1 Furniture Tipping Restraint \*  
x1 Système antibasculement  
x1 Control para evitar vuelcos

\* Replaceable Part



**ASSEMBLY INSTRUCTION / NOTICE DE MONTAGE / INSTRUCCIONES DE MONTAJE**

ITEM / NO D'ARTICLE / ARTICULO.: S806-050

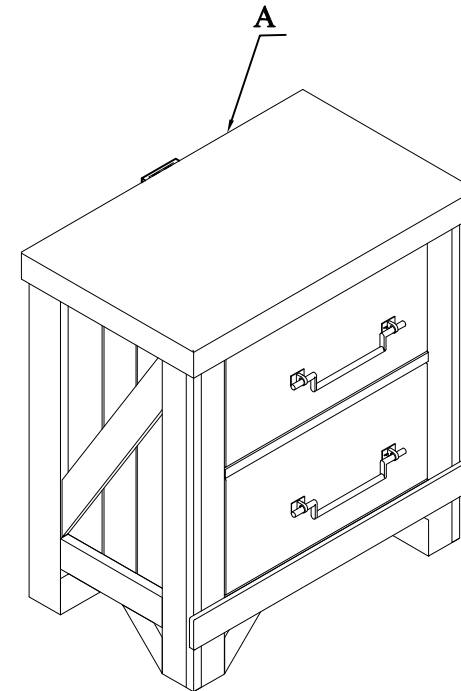
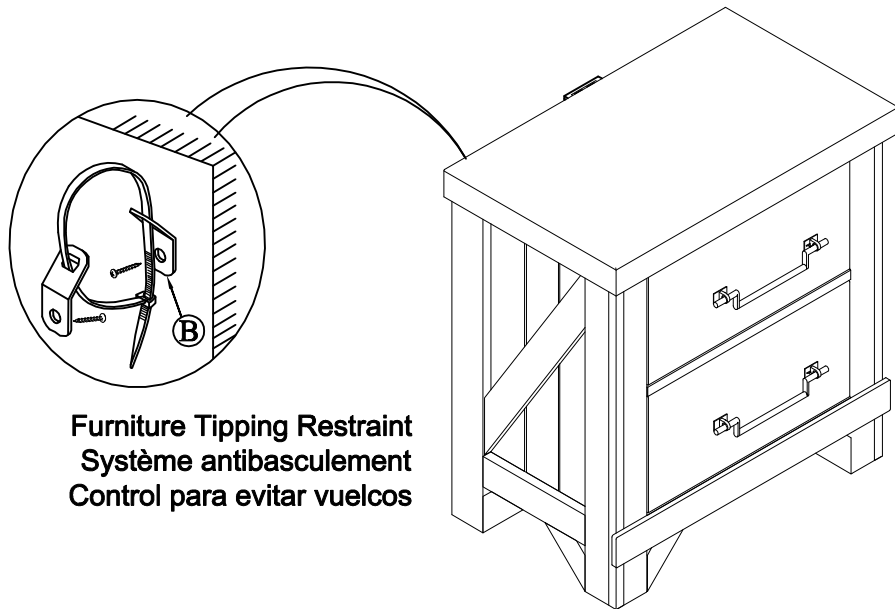
DESCRIPTION/ DESCRIPCION : Nightstand / Table de chevet / Mesa de noche

**⚠ WARNING**

Children have died from furniture tipover. To reduce the risk of furniture tipover:

- ALWAYS install tipover restraint provided.
- NEVER put a TV on this product.
- NEVER allow children to stand, climb or hang on drawers, doors, or shelves.
- NEVER open more than one drawer at a time.
- Place heaviest items in the lowest drawers.

*This is a permanent label. Do not remove!*



Furniture Tipping Restraint  
Système antibasculement  
Control para evitar vuelcos

\* Replaceable Part



**REPLACEABLE PART / PARTIE REMPLACABLE / PARTE REEMPLAZABLE**

ITEM / NO D'ARTICLE / ARTICULO.: S806-050

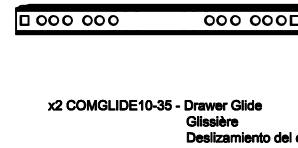
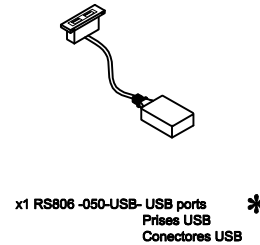
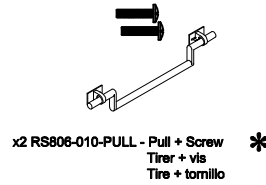
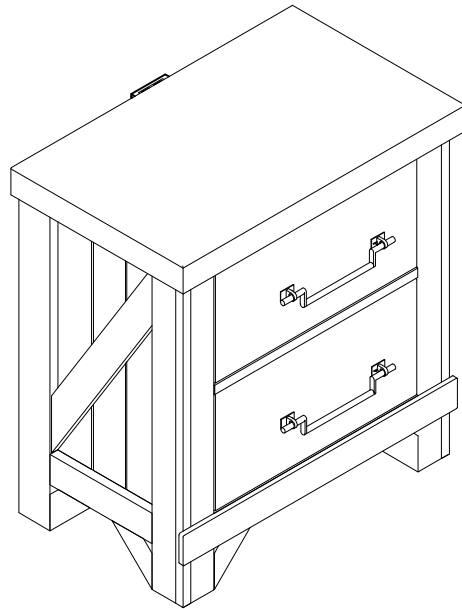
DESCRIPTION/ DESCRIPCION : Nightstand / Table de chevet / Mesa de noche

**⚠ WARNING**

Children have died from furniture tipover. To reduce the risk of furniture tipover:

- ALWAYS install tipover restraint provided.
- NEVER put a TV on this product.
- NEVER allow children to stand, climb or hang on drawers, doors, or shelves.
- NEVER open more than one drawer at a time.
- Place heaviest items in the lowest drawers.

*This is a permanent label. Do not remove!*



\* Replaceable Part



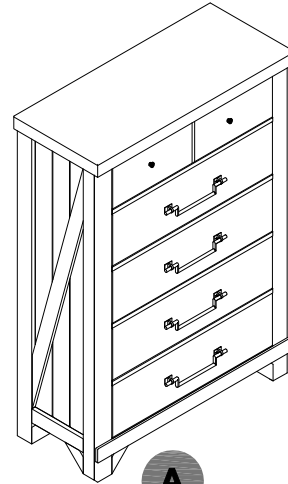
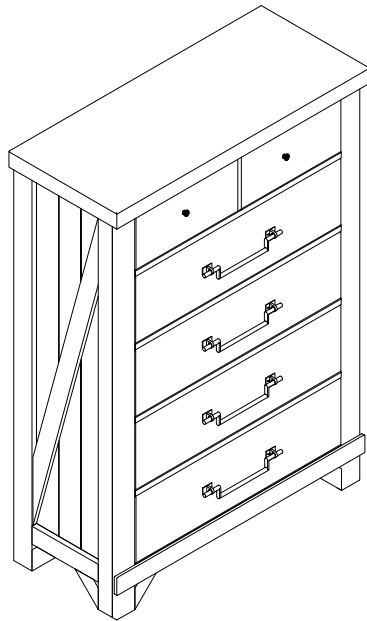
**PARTS LIST / LISTE DES PIÈCES / LISTA DE PIEZA**  
 ITEM / NO D'ARTICLE / ARTICULO.: S806-040  
 DESCRIPTION/ DESCRIPCION : Chest / Commode / Cómoda

**⚠ WARNING**

Children have died from furniture tipover. To reduce the risk of furniture tipover:

- ALWAYS install tipover restraint provided.
- NEVER put a TV on this product.
- NEVER allow children to stand, climb or hang on drawers, doors, or shelves.
- NEVER open more than one drawer at a time.
- Place heaviest items in the lowest drawers.

*This is a permanent label. Do not remove!*



**A**  
 x1 Chest  
 x1 Commode  
 x1 Cómoda



**B**  
 x1 Furniture Tipping Restraint \*  
 x1 Système antibasculement  
 x1 Control para evitar vuelcos

\* Replaceable Part



**ASSEMBLY INSTRUCTION / NOTICE DE MONTAGE / INSTRUCCIONES DE MONTAJE**

ITEM / NO D'ARTICLE / ARTICULO.: S806-040

DESCRIPTION/ DESCRIPCION : Chest / Commode / **Cómoda**

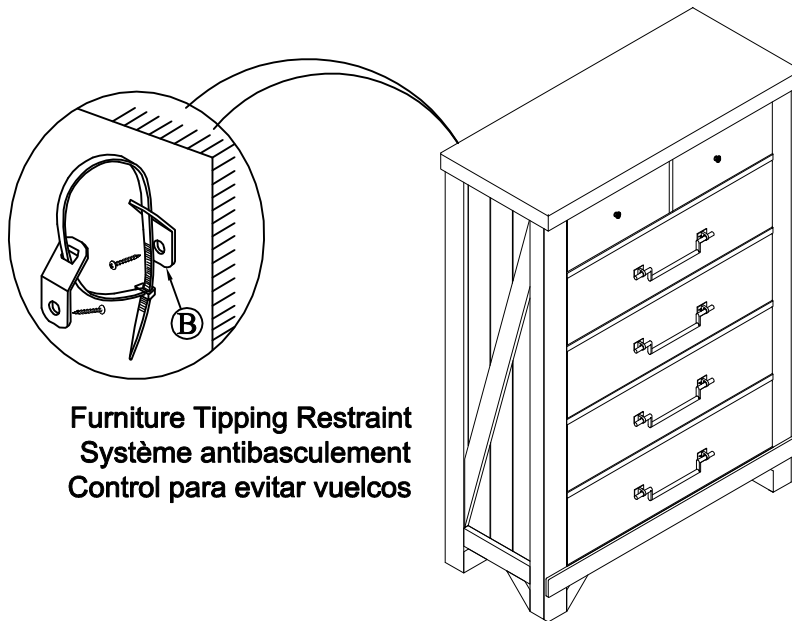
**⚠ WARNING**



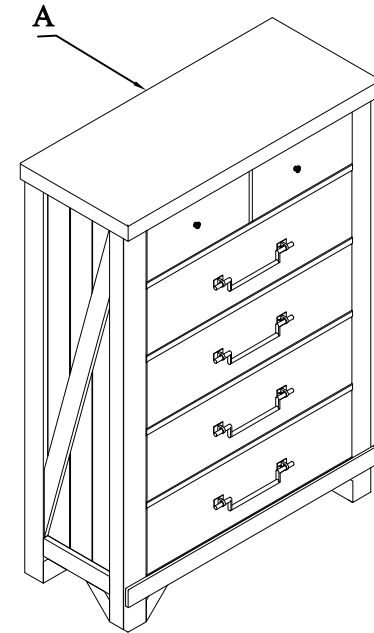
Children have died from furniture tipover. To reduce the risk of furniture tipover:

- ALWAYS install tipover restraint provided.
- NEVER put a TV on this product.
- NEVER allow children to stand, climb or hang on drawers, doors, or shelves.
- NEVER open more than one drawer at a time.
- Place heaviest items in the lowest drawers.

*This is a permanent label. Do not remove!*



**Furniture Tipping Restraint**  
**Système antibasculement**  
**Control para evitar vuelcos**



**\* Replaceable Part**



**REPLACEABLE PART / PARTIE REMPLACABLE / PARTE REEMPLAZABLE**

ITEM / NO D'ARTICLE / ARTICULO.: S806-040

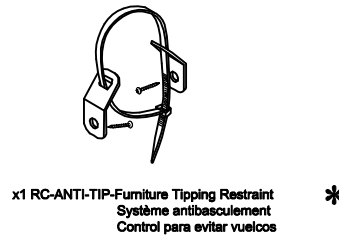
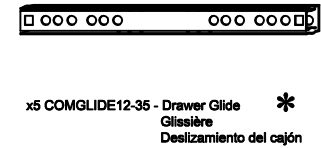
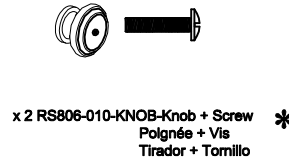
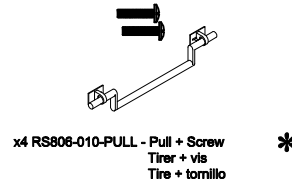
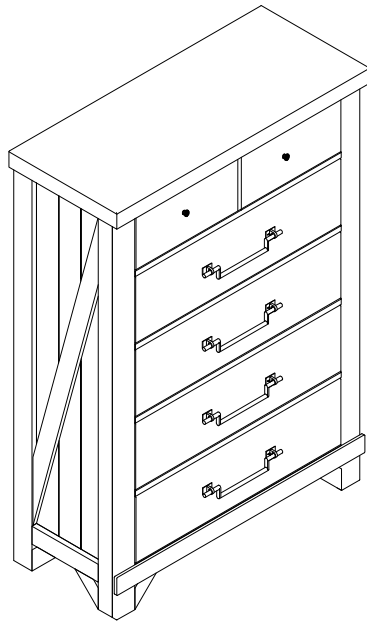
DESCRIPTION/ DESCRIPCION : Chest / Commode / Cómoda

**⚠ WARNING**

**Children have died from furniture tipover. To reduce the risk of furniture tipover:**

- ALWAYS install tipover restraint provided.
- NEVER put a TV on this product.
- NEVER allow children to stand, climb or hang on drawers, doors, or shelves.
- NEVER open more than one drawer at a time.
- Place heaviest items in the lowest drawers.

*This is a permanent label. Do not remove!*



\* Replaceable Part





**PARTS LIST / LISTE DES PIÈCES / LISTA DE PIEZA**

ITEM / NO D'ARTICLE / ARTICULO.: S806-010  
S806-030

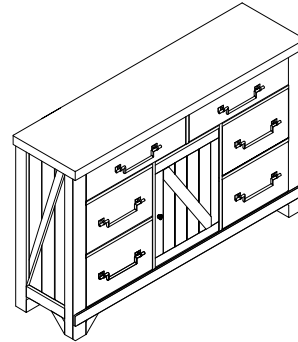
DESCRIPTION/ DESCRIPCION : Dresser / Commode / Tocador  
Mirror / Miroir / Espejo

**⚠ WARNING**

Children have died from furniture tipover. To reduce the risk of furniture tipover:

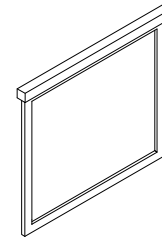
- ALWAYS install tipover restraint provided.
- NEVER put a TV on this product.
- NEVER allow children to stand, climb or hang on drawers, doors, or shelves.
- NEVER open more than one drawer at a time.
- Place heaviest items in the lowest drawers.

*This is a permanent label. Do not remove!*



**A**

x1 Dresser  
x1 Commode  
x1 Tocador



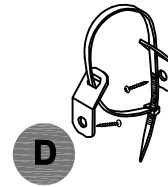
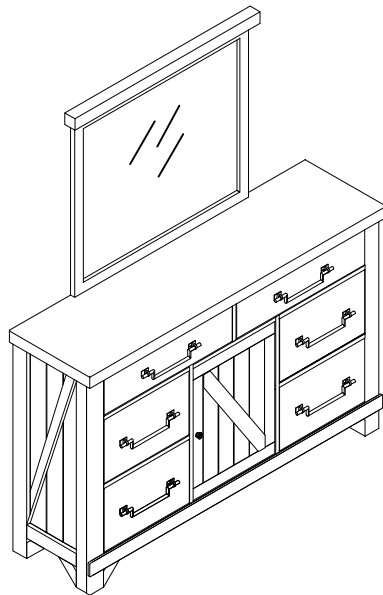
**B**

x1 Mirror  
x1 Miroir  
x1 Espejo



**C**

x2 Mirror Support \*  
x2 Prise en charge du miroir  
x2 Soporte de espejo



**D**

x1 Furniture Tipping Restraint \*  
x1 Système antibasculement  
x1 Control para evitar vuelcos



**1**

x8 Allen bolt Ø1/4\*\*38mm \*  
x8 Vis à tête creuse hexagonale Ø1/4\*\*38mm  
x8 Perno Allen Ø1/4\*\*38mm



**2**

x8 Lock washer Ø1/4\*\*11\*2mm \*  
x8 Rondelle de blocage Ø1/4\*\*11\*2mm  
x8 Arandela de Seguridad Ø1/4\*\*11\*2mm



**3**

x8 Flat washer Ø1/4\*\*19\*2mm \*  
x8 Rondelle plate Ø1/4\*\*19\*2mm  
x8 Arandela plana Ø1/4\*\*19\*2mm



**4**

x1 Allen key M4 \*  
x1 Clé hexagonale  
x1 Llave Allen

\* Replaceable Part



**ASSEMBLY INSTRUCTION / NOTICE DE MONTAGE / INSTRUCCIONES DE MONTAJE**

ITEM / NO D'ARTICLE / ARTICULO.: S806-010  
S806-030

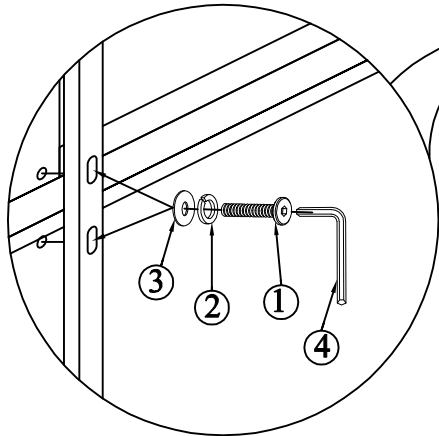
DESCRIPTION/ DESCRIPCION : Dresser / Commode / Tocador  
Mirror / Miroir / Espejo

**⚠ WARNING**

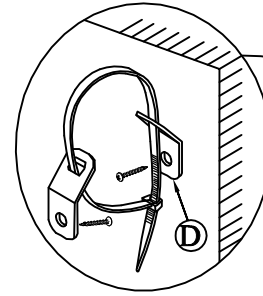
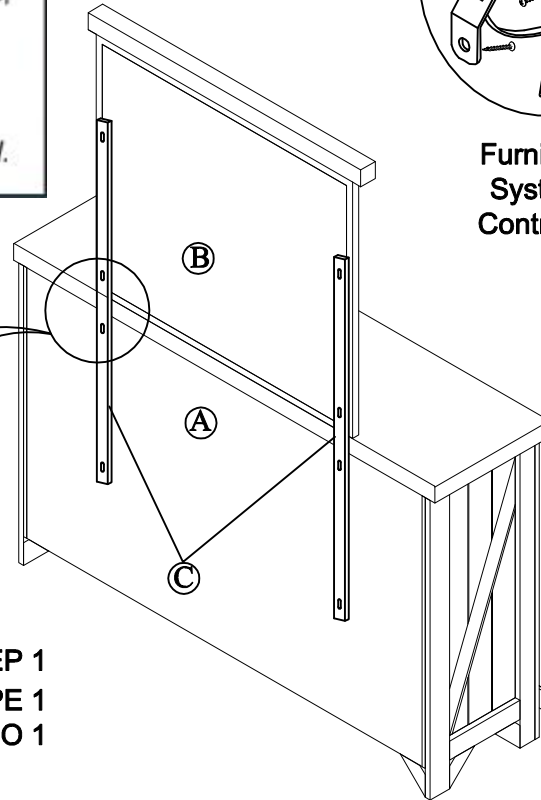
Children have died from furniture tipover. To reduce the risk of furniture tipover:

- ALWAYS install tipover restraint provided.
- NEVER put a TV on this product.
- NEVER allow children to stand, climb or hang on drawers, doors, or shelves.
- NEVER open more than one drawer at a time.
- Place heaviest items in the lowest drawers.

*This is a permanent label. Do not remove!*

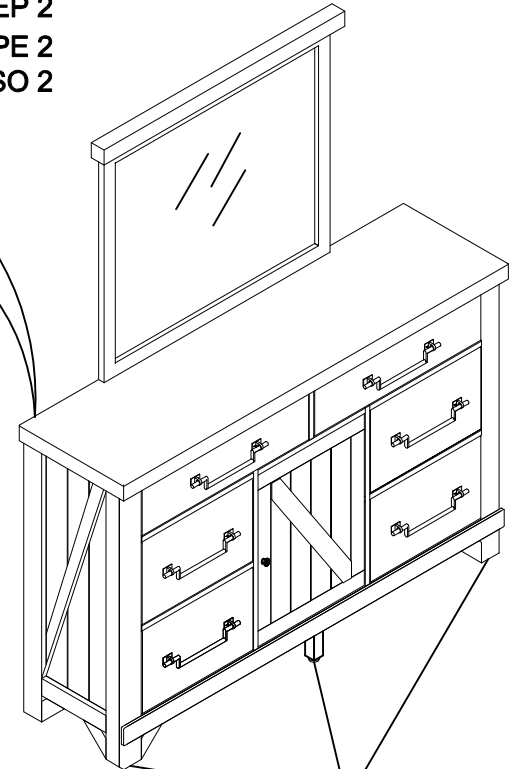


**STEP 1**  
**ÉTAPE 1**  
**PASO 1**

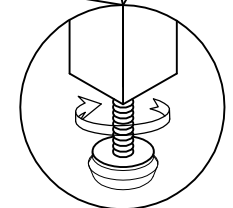


**Furniture Tipping Restraint**  
**Système antibasculement**  
**Control para evitar vuelcos**

**STEP 2**  
**ÉTAPE 2**  
**PASO 2**



**Adjustable leveler**  
**Patin réglable**  
**Nivelador adjustable**



**\* Replaceable Part**





**REPLACEABLE PART / PARTIE REMPLACABLE / PARTE REEMPLAZABLE**

ITEM / NO D'ARTICLE / ARTICULO.: S806-010  
S806-030

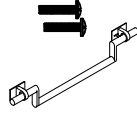
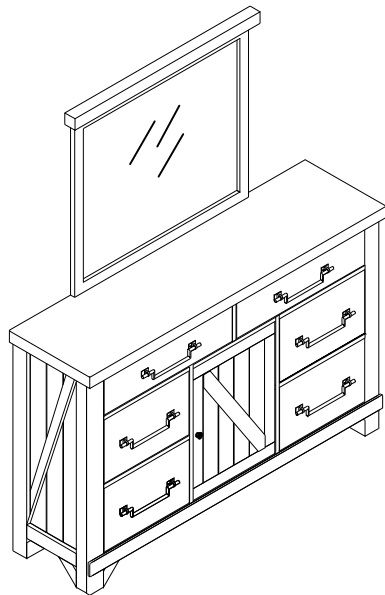
DESCRIPTION/ DESCRIPCION : Dresser / Commode / Tocador  
Mirror / Miroir / Espejo

**WARNING**

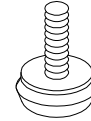
Children have died from furniture tipover. To reduce the risk of furniture tipover:

- ALWAYS install tipover restraint provided.
- NEVER put a TV on this product.
- NEVER allow children to stand, climb or hang on drawers, doors, or shelves.
- NEVER open more than one drawer at a time.
- Place heaviest items in the lowest drawers.

*This is a permanent label. Do not remove!*



x6 RS806-010-PULL - Pull + Screw  
Tirer + vis  
Tire + tornillo \*



x1 RC-FG-WHITE-White leveler  
Patin ré glable  
Nivelador \*



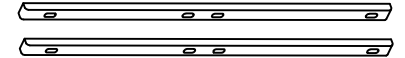
x1 RS806-030-HWKIT-Hardware kit list  
Liste des pièces de quincailleries  
Lista del kit de materiales \*



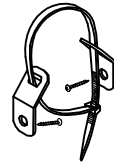
x1 RS806-010-KNOB-Knob + Screw  
Polignée + Vis  
Tirador + Tornillo \*



x4 RC-WH-NAIL- White Plastic nail  
clou en plastique  
clavo de plástico \*



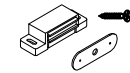
x2 RS806-030-MISU- Mirror Support  
Supporte de miroir  
Soporte del espejo \*



x1 RC-ANTI-TIP-Furniture Tipping Restraint  
Système antibasculément  
Control para evitar vuelcos \*



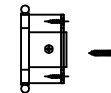
x6 COMGLIDE12-35 - Drawer Glide  
Glissière  
Deslizamiento del cajón \*



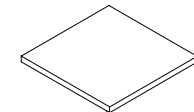
x1 RS806-010-CATCH- Door Catch  
Pestillo de la puerta  
Loquet de porte \*



x4 RS806-010-SUPP-Shelf Support  
Supports Pour Tablette  
Soporte De Las Repisas \*



x2 RS806-010-HINGE- Door Hinge  
Bisagra de la puerta  
Charnière de porte \*



x1 RS806-010-SHELF-Wood Shelf  
Étagère  
Estante \*

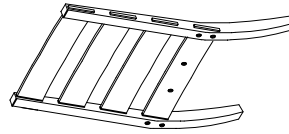
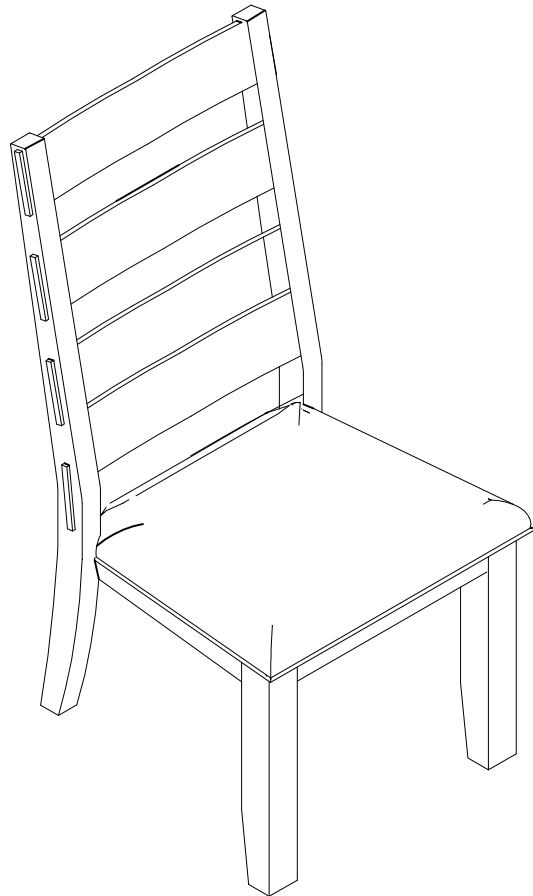
\* Replaceable Part



# PARTS LIST / LISTE DES PIÈCES / LISTA DE PIEZA

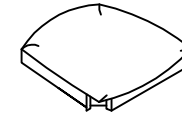
ITEM / NO D'ARTICLE / ARTICULO.: S806-150

DESCRIPTION / DESCRIPCION : Side Chair / Chaise d'appoint / Silla



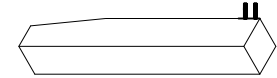
**A**

x1 Chair Back \*  
x1 Dossier de chaise  
x1 Respaldo de silla



**B**

x1 Seat Frame with Cushion \*  
x1 Siège avec coussin  
x1 Cojín de asiento con cuadro del asiento



**C**

x2 Front Leg \*  
x2 Jambe avant  
x2 Pata delantera



**1**

x4 Allen bolt Ø5/16\*3-1/4" \*  
x4 Vis à tête creuse hexagonale Ø5/16\*3-1/4"  
x4 Perno Allen Ø5/16\*3-1/4"



**2**

x2 Allen bolt Ø5/16\*1-3/4" \*  
x2 Vis à tête creuse hexagonale Ø5/16\*1-3/4"  
x2 Perno Allen Ø5/16\*1-3/4"



**3**

x10 Lock washer Ø5/16\*\*14\*2mm \*  
x10 Rondelle de blocage Ø5/16\*\*14\*2mm  
x10 Arandela de Seguridad Ø5/16\*\*14\*2mm



**4**

x10 Flat washer Ø5/16\*\*19\*2mm \*  
x10 Rondelle plate Ø5/16\*\*19\*2mm  
x10 Arandela plana Ø5/16\*\*19\*2mm



**5**

x4 Hex nut 12\*12\*6mm \*  
x4 Écrou hexagonal 12\*12\*6mm  
x4 Tuerca hexagona 2\*12\*6mm



**6**

x1 Allen key M4 \*  
x1 Clé hexagonale  
x1 Llave Allen



**7**

x1 Open wrench 12mm \*  
x1 Clé à fourche 12mm  
x1 Llave de boca 12mm

\* Replaceable Part

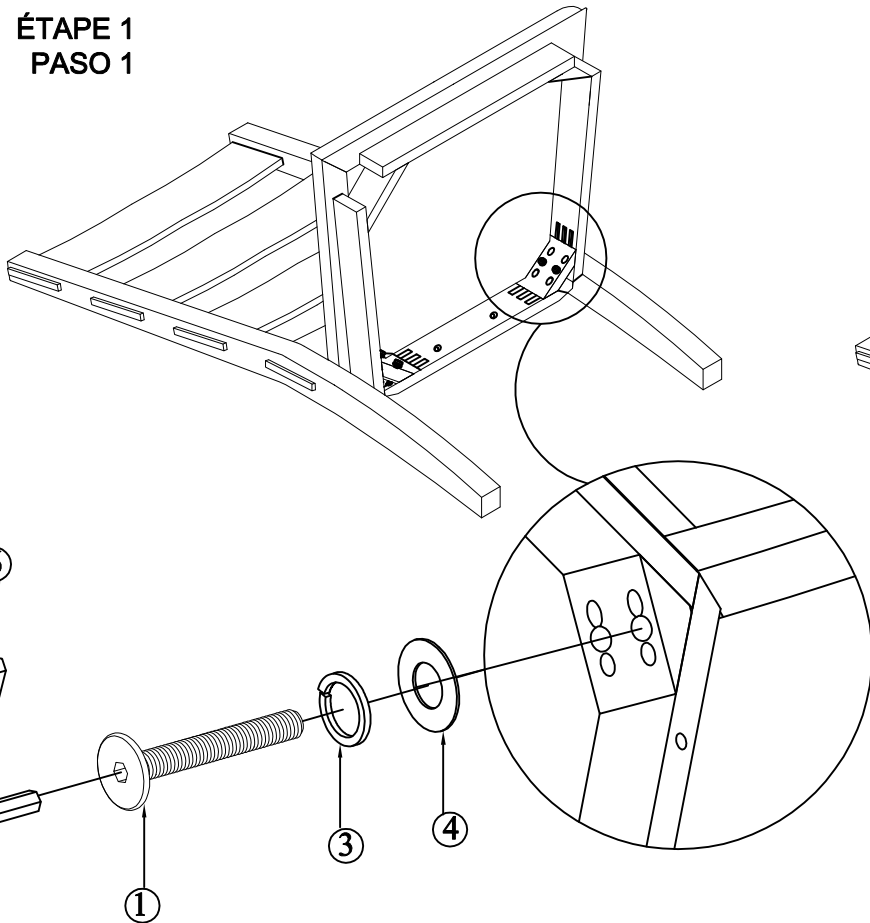


**ASSEMBLY INSTRUCTION / NOTICE DE MONTAGE / INSTRUCCIONES DE MONTAJE**

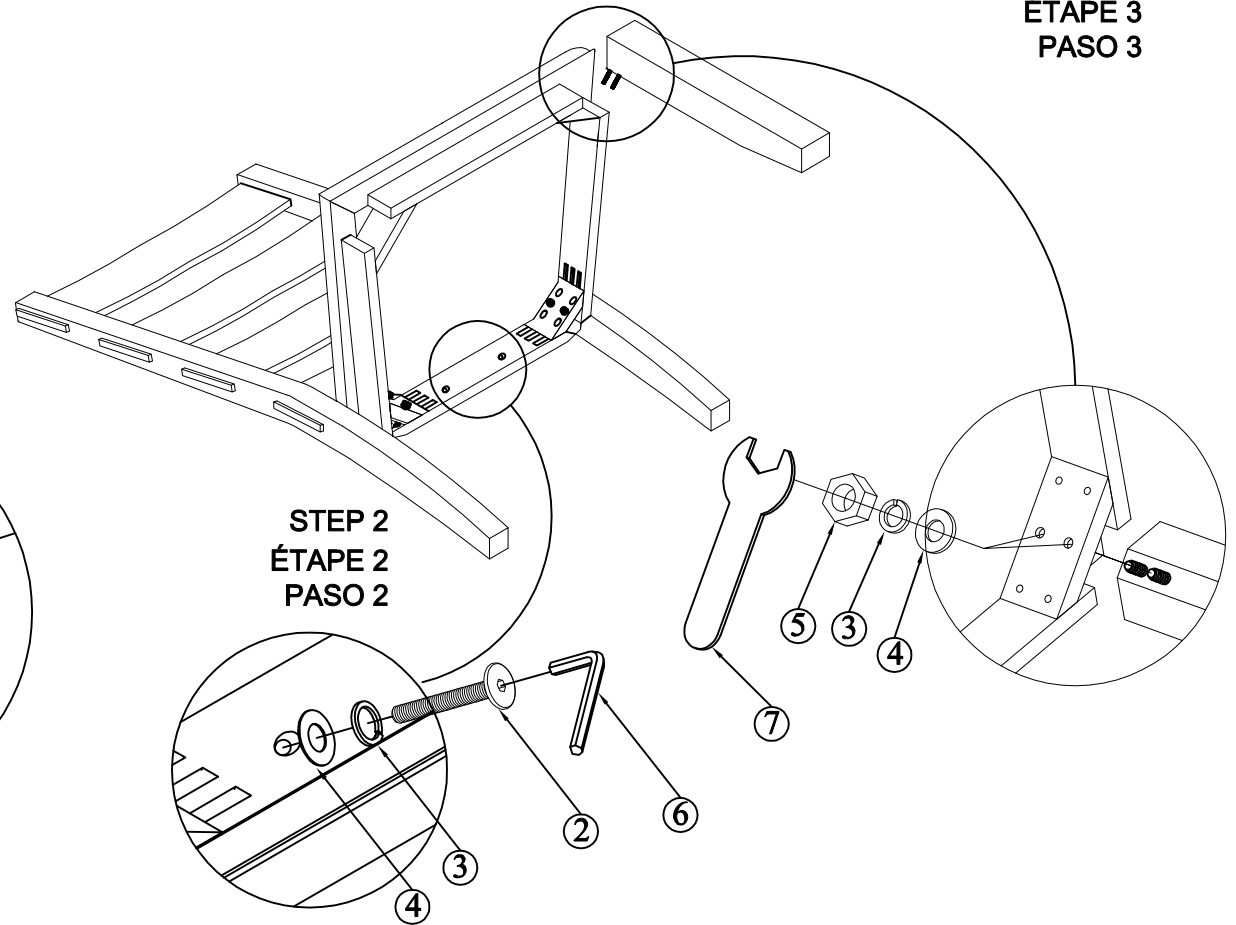
ITEM / NO D'ARTICLE / ARTICULO.: S806-150

DESCRIPTION / DESCRIPCION : Side Chair / Chaise d'appoint / Silla

**STEP 1**  
**ÉTAPE 1**  
**PASO 1**



**STEP 3**  
**ÉTAPE 3**  
**PASO 3**



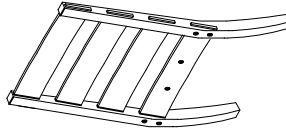
*\* Replaceable Part*



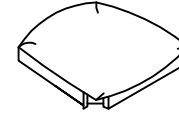
**REPLACEABLE PART / PARTIE REMPLACABLE / PARTE REEMPLAZABLE**

ITEM / NO D'ARTICLE / ARTICULO.: S806-150

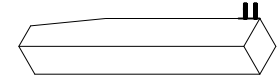
DESCRIPTION / DESCRIPCION : Side Chair / Chaise d'appoint / Silla



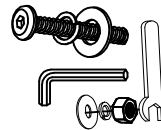
x1 RS806-150-BACK-Chair Back \*  
Dossier de chaise  
Respaldo de silla



x1 RS806-150-FRAME-Seat Frame with Cushion \*  
Siège avec coussin  
Cojín de asiento con cuadro del asiento



x2 RS806-150-LEG-Front Leg \*  
Jambe avant  
Pata delantera



x1 RS806-150-HWKIT-Hardware kit list  
Liste des pièces de quincailleries  
Lista del kit de materiales



x4 RC-WH-NAIL- Plastic nail \*  
clou en plastique  
clavo de plástico

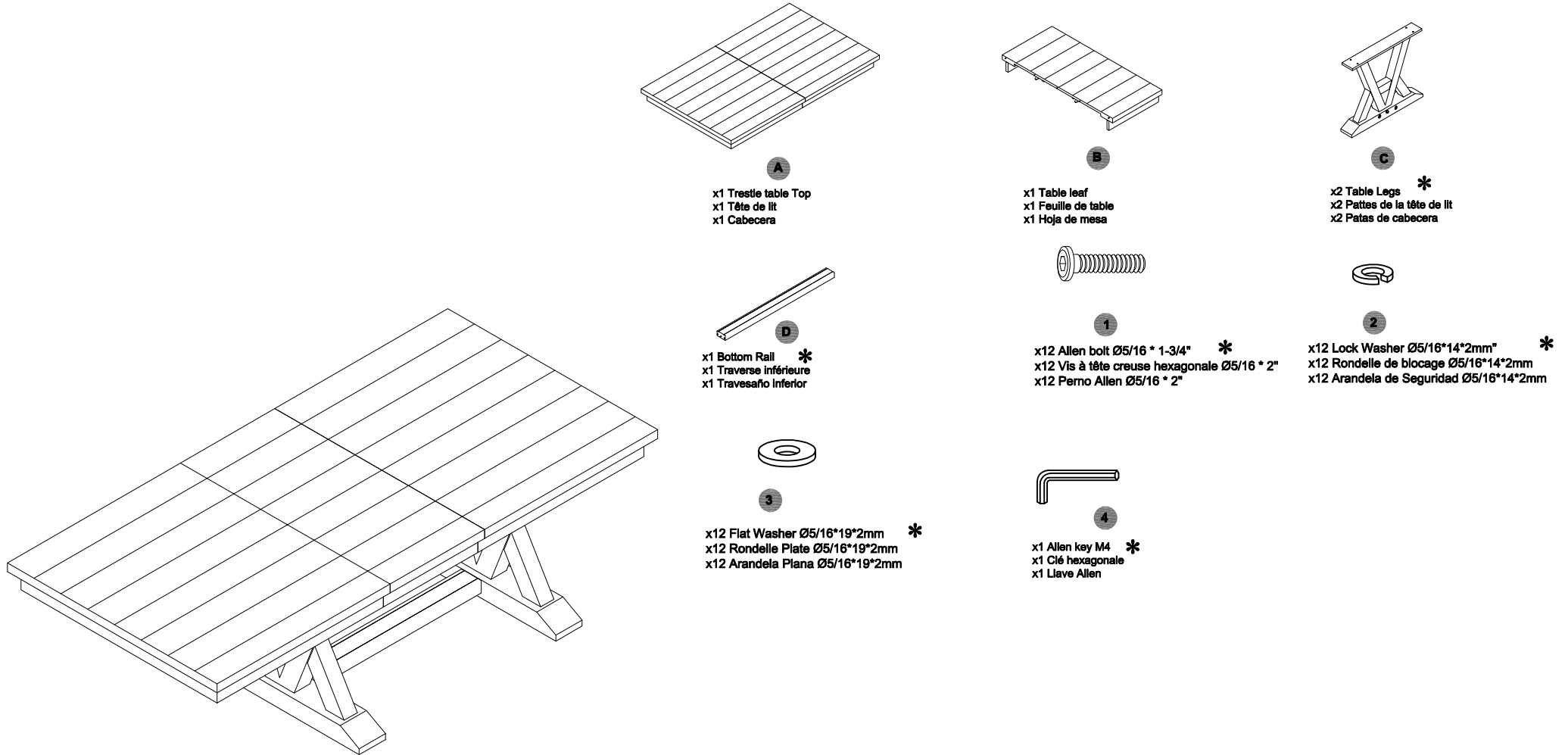
\* Replaceable Part



**PARTS LIST / LISTE DES PIÈCES / LISTA DE PIEZA**

ITEM / NO D'ARTICLE / ARTICULO.: S806-131A/131B

DESCRIPTION / DESCRIPCION : Trestle table Top w/leaf/Dessus de table à tréteaux avec rallonge/Tablero de mesa de caballete con extensión  
Trestle table Base w/leaf/Base de table à tréteaux/Base de mesa de caballete



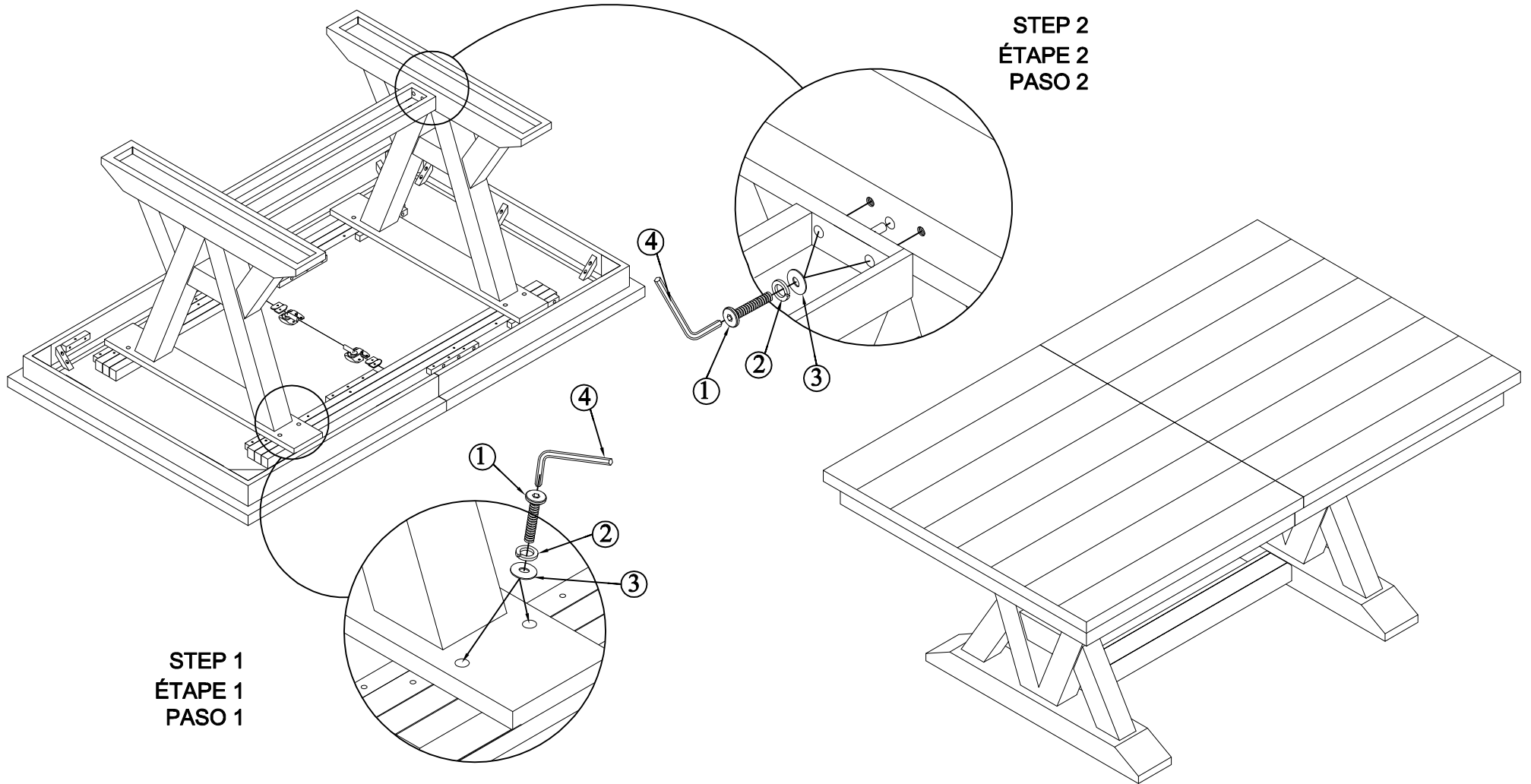
\* Replaceable Part



**ASSEMBLY INSTRUCTION / NOTICE DE MONTAGE / INSTRUCCIONES DE MONTAJE**

ITEM / NO D'ARTICLE / ARTICULO.: S806-131A/131B

DESCRIPTION / DESCRIPCION : Trestle table Top w/leaf/Dessus de table à tréteaux avec rallonge/Tablero de mesa de caballete con extensión  
Trestle table Base w/leaf/Base de table à tréteaux/Base de mesa de caballete



STEP 1  
ÉTAPE 1  
PASO 1

STEP 2  
ÉTAPE 2  
PASO 2

\* Replaceable Part



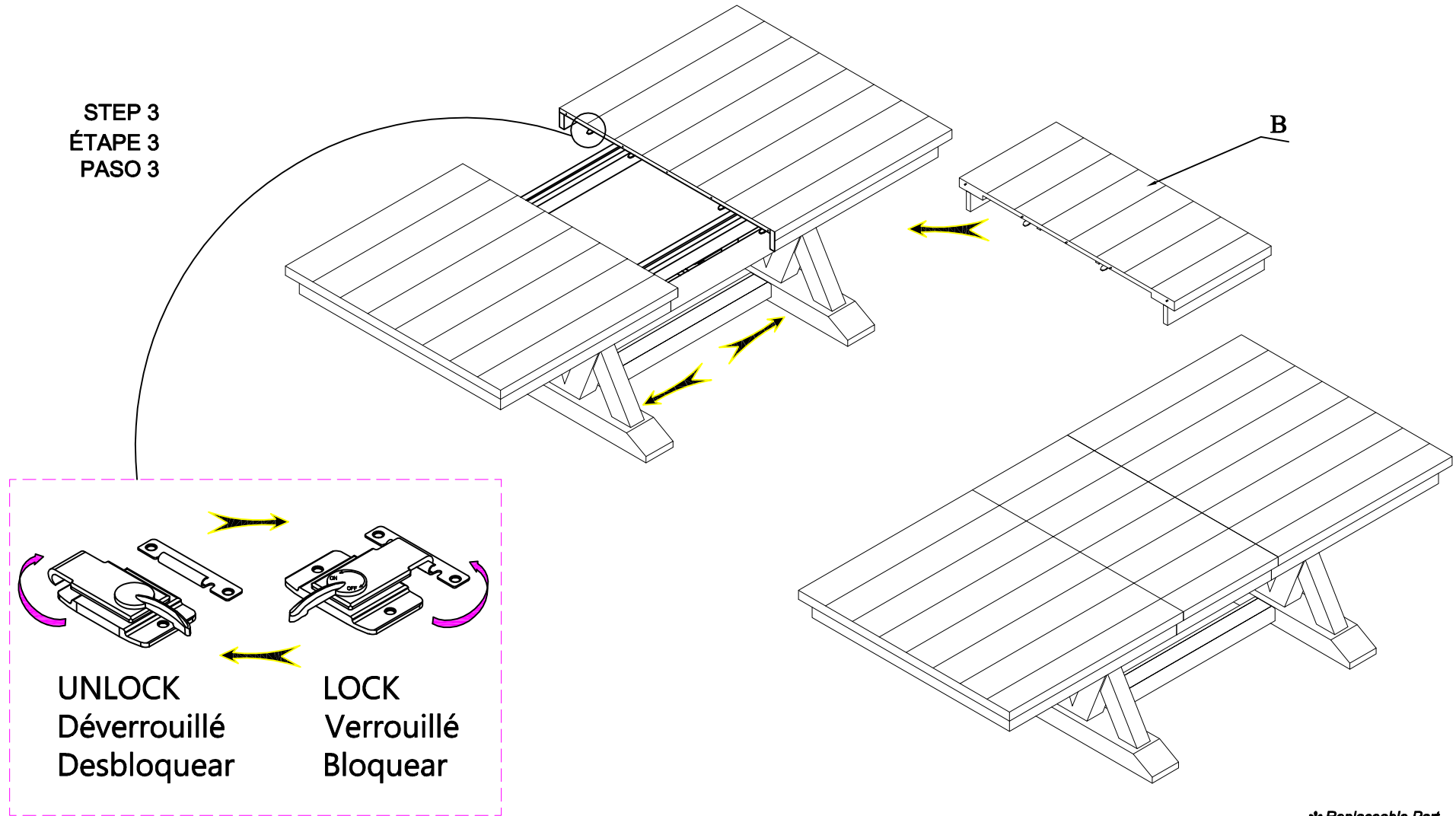


**ASSEMBLY INSTRUCTION / NOTICE DE MONTAGE / INSTRUCCIONES DE MONTAJE**

ITEM / NO D'ARTICLE / ARTICULO.: S806-131A/131B

DESCRIPTION / DESCRIPCION : Trestle table Top w/leaf/Dessus de table à tréteaux avec rallonge/Tablero de mesa de caballete con extensión  
Trestle table Base w/leaf/Base de table à tréteaux/Base de mesa de caballete

STEP 3  
ÉTAPE 3  
PASO 3



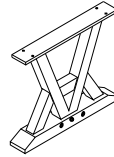
\* Replaceable Part



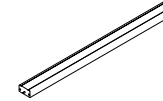
**REPLACEABLE PART / PARTIE REMPLACABLE / PARTE REEMPLAZABLE**

ITEM / NO D'ARTICLE / ARTICULO.: S806-131A/131B

DESCRIPTION / DESCRIPCION : Trestle table Top w/leaf/Dessus de table à tréteaux avec rallonge/Tablero de mesa de caballete con extensión  
Trestle table Base w/leaf/Base de table à tréteaux/Base de mesa de caballete



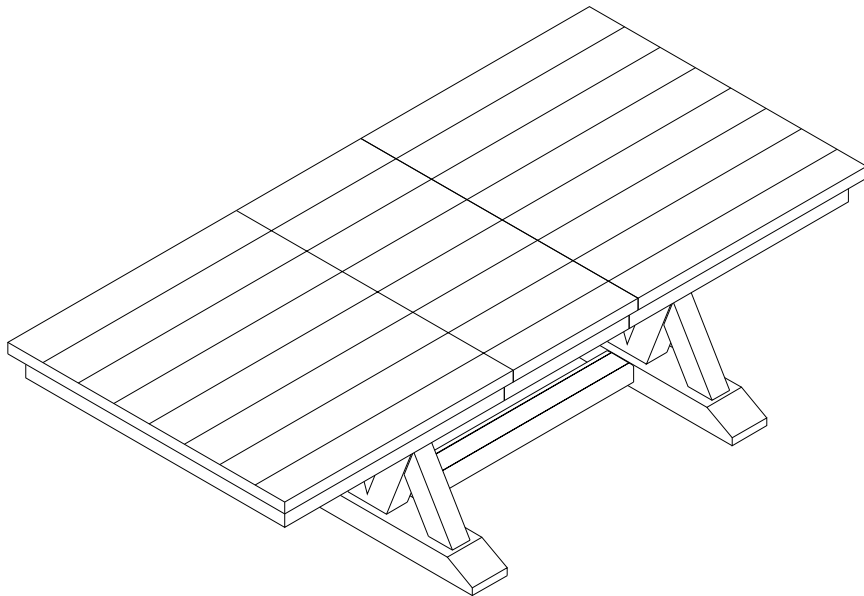
x2 RS806-131-LEG-Table Legs \*  
Pattes de la tête de lit  
Patatas de cabecera



x1 RS806-131-Rail-Bottom Rail \*  
Traverse inférieure  
Travesaño inferior



x1 RS806-131-HWKIT-Hardware kit list \*  
Liste des pièces de quincailleries  
Lista del kit de materiales



\* Replaceable Part



**PARTS LIST / LISTE DES PIÈCES / LISTA DE PIEZA**

ITEM / NO D'ARTICLE / ARTICULO.: S806-146

DESCRIPTION/ DESCRIPCION : SERVER / DESSERTS / APARADOR

**⚠ WARNING**

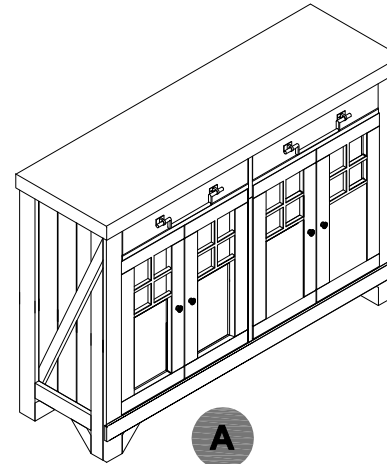


Children have died from furniture tipover. To reduce the risk of furniture tipover:

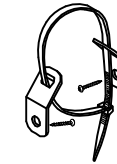
- ALWAYS install tipover restraint provided.
- NEVER put a TV on this product.
- NEVER allow children to stand, climb or hang on drawers, doors, or shelves.
- NEVER open more than one drawer at a time.
- Place heaviest items in the lowest drawers.



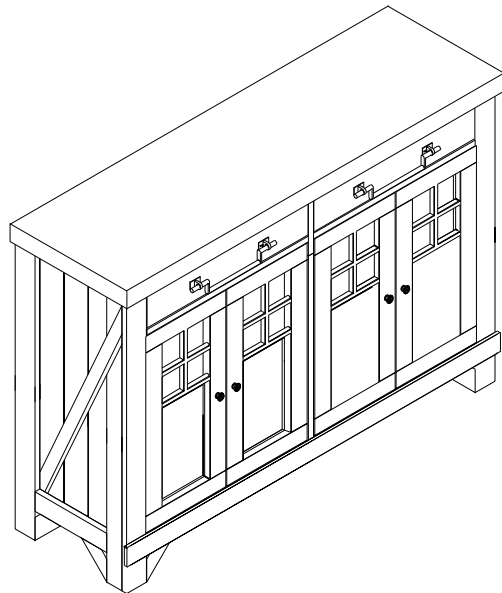
*This is a permanent label. Do not remove!*



x1 Server  
x1 Desserts  
x1 Aparador



x1 Furniture Tipping Restraint \*  
x1 Système antibasculement  
x1 Control para evitar vuelcos



\* Replaceable Part



**ASSEMBLY INSTRUCTION / NOTICE DE MONTAGE / INSTRUCCIONES DE MONTAJE**

ITEM / NO D'ARTICLE / ARTICULO.: S806-146

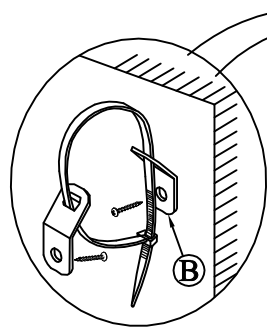
DESCRIPTION/ DESCRIPCION : SERVER / COMMODE À TIROIRS / CÓMODA

**⚠ WARNING**

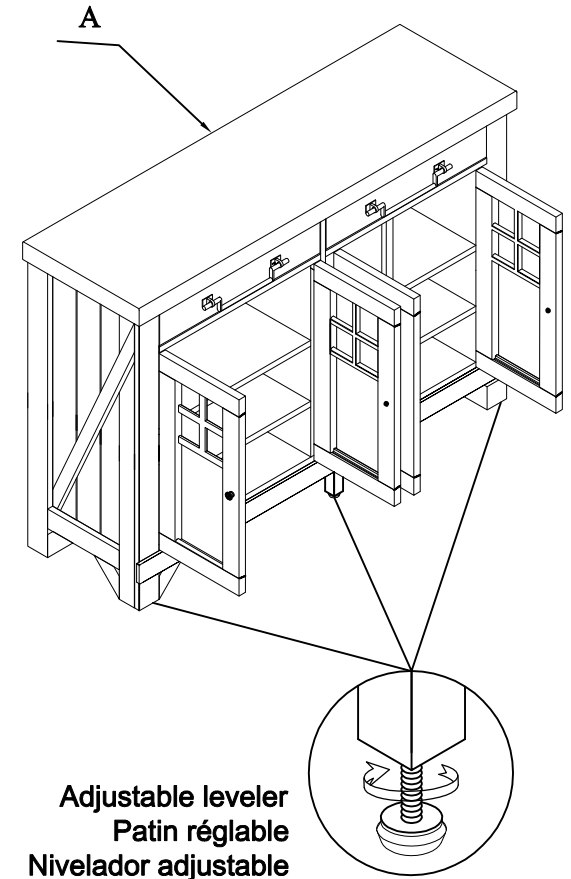
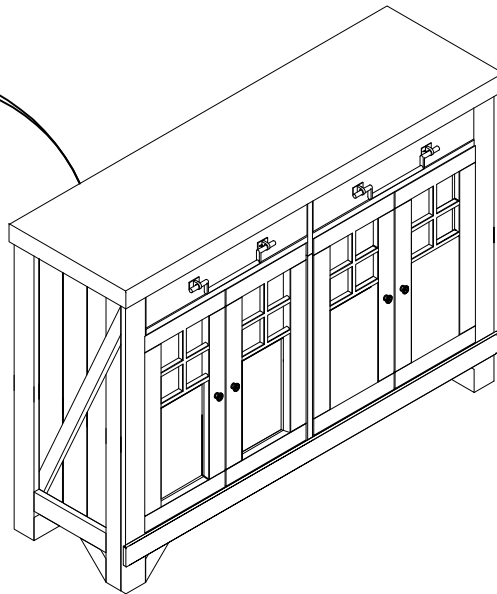
Children have died from furniture tipover. To reduce the risk of furniture tipover:

- ALWAYS install tipover restraint provided.
- NEVER put a TV on this product.
- NEVER allow children to stand, climb or hang on drawers, doors, or shelves.
- NEVER open more than one drawer at a time.
- Place heaviest items in the lowest drawers.

*This is a permanent label. Do not remove!*



**Furniture Tipping Restraint  
Système antibasculement  
Control para evitar vuelcos**



**\* Replaceable Part**



**REPLACEABLE PART / PARTIE REMPLACABLE / PARTE REEMPLAZABLE**

ITEM / NO D'ARTICLE / ARTICULO.: S806-146

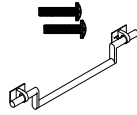
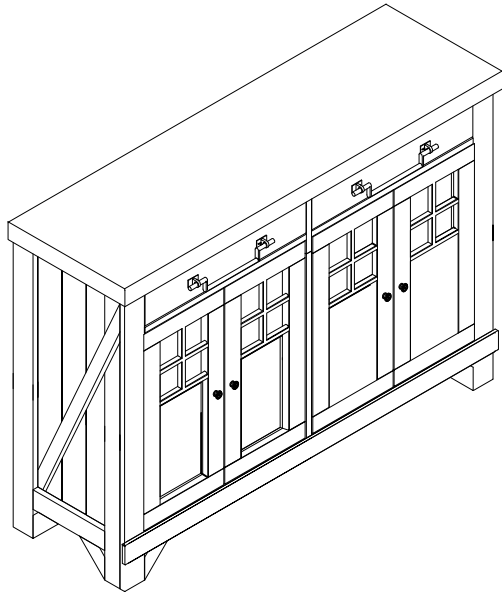
DESCRIPTION/ DESCRIPCION : SERVER / COMMODE À TIROIRS / CÓMODA

**⚠ WARNING**

Children have died from furniture tipover. To reduce the risk of furniture tipover:

- ALWAYS install tipover restraint provided.
- NEVER put a TV on this product.
- NEVER allow children to stand, climb or hang on drawers, doors, or shelves.
- NEVER open more than one drawer at a time.
- Place heaviest items in the lowest drawers.

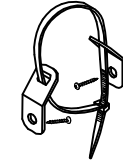
*This is a permanent label. Do not remove!*



x2 RS806-010-PULL - Pull + Screw  
Tirer + vis  
Tire + tornillo \*



x2 RC-WH-NAIL- White Plastic nail  
clou en plastique  
clavo de plástico \*



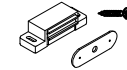
x1 RC-ANTI-TIP-Furniture Tipping Restraint  
Système antibasculement  
Control para evitar vuelcos \*



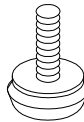
x4 RS806-010-KNOB-Knob + Screw  
Poignée + Vis  
Tirador + Tornillo \*



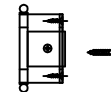
x2 COMGLIDE12-35 - Drawer Glide  
Glissière  
Deslizamiento del cajón \*



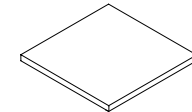
x4 RS806-146-CATCH-Door Catch  
Pestillo de la puerta  
Loquet de porte \*



x 3 RC-FG-WHITE-White leveler  
Patin ré glable  
Nivelador \*



x8 RS806-146-HINGE-Door Hinge  
Bisagra de la puerta  
Charnière de porte \*



x4 RS806-146-SHELF-Wood Shelf  
Étagère  
Estante \*



x16 RS806-146-SUPP-Shelf Support  
Supports Pour Tablette  
Soporte De Las Repisas \*

\* Replaceable Part



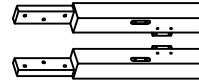
# PARTS LIST / LISTE DES PIÈCES / LISTA DE PIEZA

ITEM / NO D'ARTICLE / ARTICULO.: S806-272/271/400

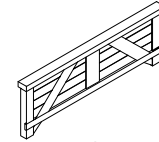
DESCRIPTION / DESCRIPCION : KING BED / TRÈS GRAND LIT / CAMA TAMAÑO KING



**A**  
x1 Headboard  
x1 Tête de lit  
x1 Cabecera



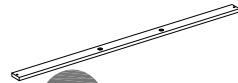
**B**  
x2 Headboard Legs (Left & Right) \*  
x2 Pattes de la tête de lit (gauche et droite)  
x2 Patas de cabecera (izquierda y derecha)



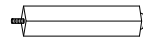
**C**  
x1 Footboard  
x1 Pied de lit  
x1 Pie de cama



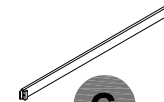
**D**  
x2 Side Rails  
x2 Côtés de lit  
x2 Largueros laterales



**E**  
x5 Slats \*  
x5 Lattes  
x5 Listones



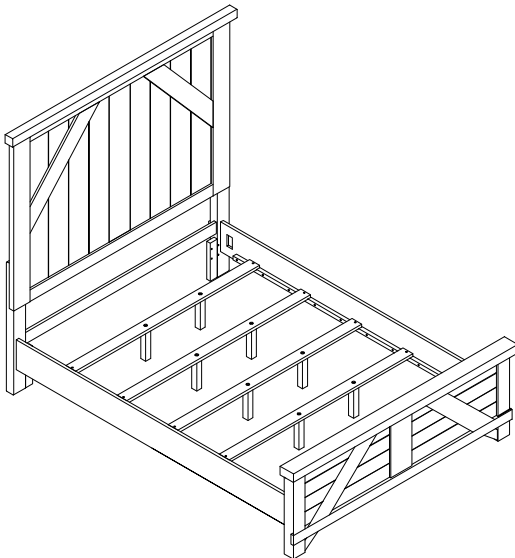
**F**  
x10 Support Legs \*  
x10 Pattes de support  
x10 Patas de soporte



**G**  
x1 Bottom Rail \*  
x1 Traverse inférieure  
x1 Travesaño inferior



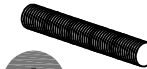
**1**  
x8 Allen bolt Ø5/16 \* 2" \*  
x8 Vis à tête creuse hexagonale Ø5/16 \* 2"  
x8 Perno Allen Ø5/16 \* 2"



**2**  
x16 Lock washer Ø5/16\*\*13\*2mm \*  
x16 Rondelle de blocage Ø5/16\*\*13\*2mm  
x16 Arandela de Seguridad Ø5/16\*\*13\*2mm



**3**  
x16 Flat washer Ø5/16\*\*19\*2mm \*  
x16 Rondelle plate Ø5/16\*\*19\*2mm  
x16 Arandela plana Ø5/16\*\*19\*2mm



**4**  
x8 Hanger bolt Ø5/16\*\*3-1/2" \*  
x8 Boulon-vis Ø5/16\*\*3-1/2"  
x8 Perno de suspensión Ø5/16\*\*3-1/2"



**5**  
x1 Allen key M4 \*  
x1 Clé hexagonale  
x1 Llave Allen



**6**  
x8 Hex nut 12\*12\*6mm \*  
x8 Écrou hexagonal 12\*12\*6mm  
x8 Tuerca hexagona 2\*12\*6mm



**7**  
x1 Open wrench 12mm \*  
x1 Clé à fourche 12mm  
x1 Llave de boca 12mm



**8**  
x10 Wood Screw #8\*30mm \*  
x10 Vis à bois #8\*30mm  
x10 Tornillo para madera #8\*30mm

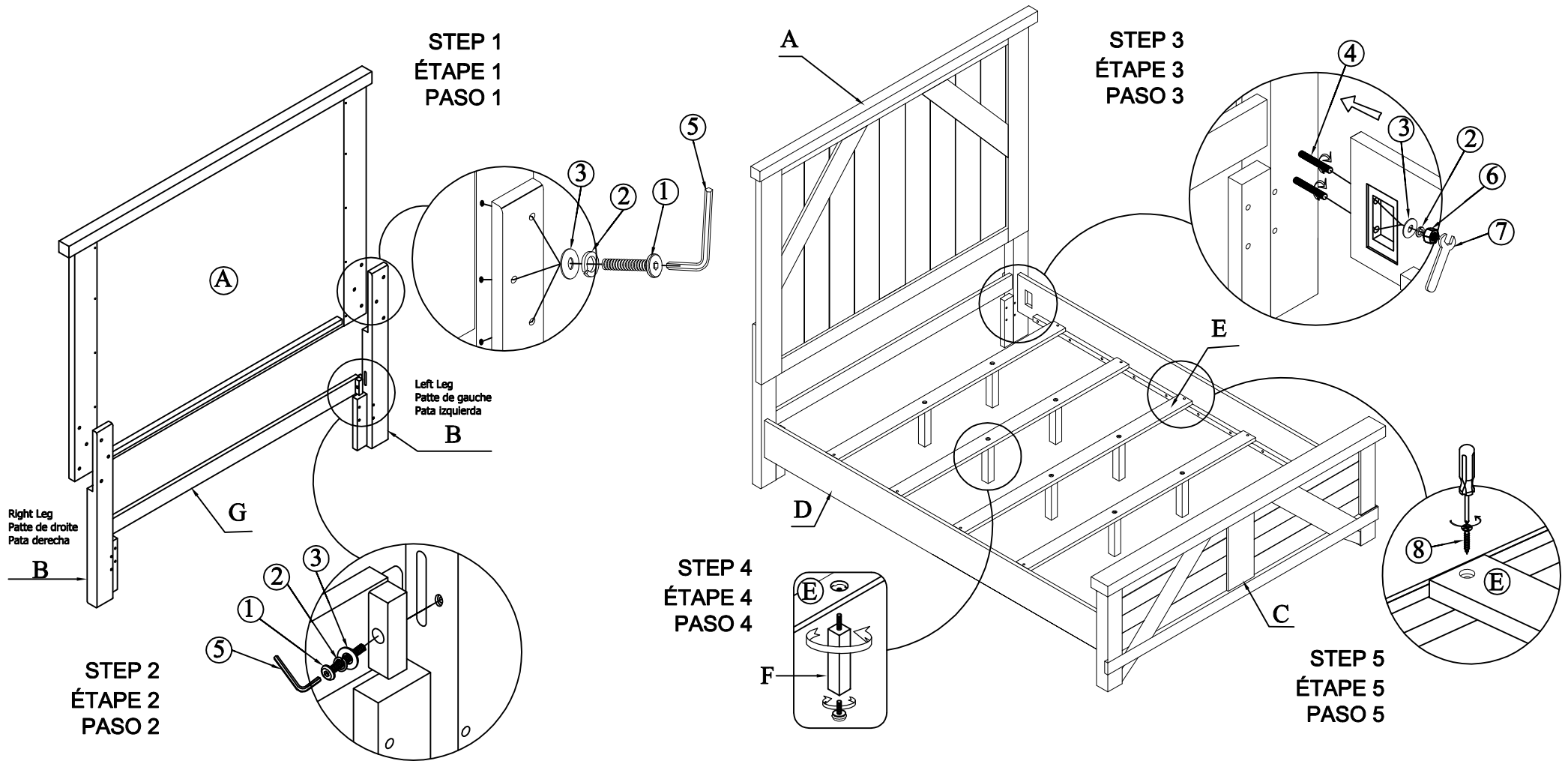
\* Replaceable Part



**ASSEMBLY INSTRUCTION / NOTICE DE MONTAGE / INSTRUCCIONES DE MONTAJE**

ITEM / NO D'ARTICLE / ARTICULO.: S806-272/271/400

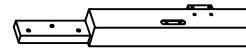
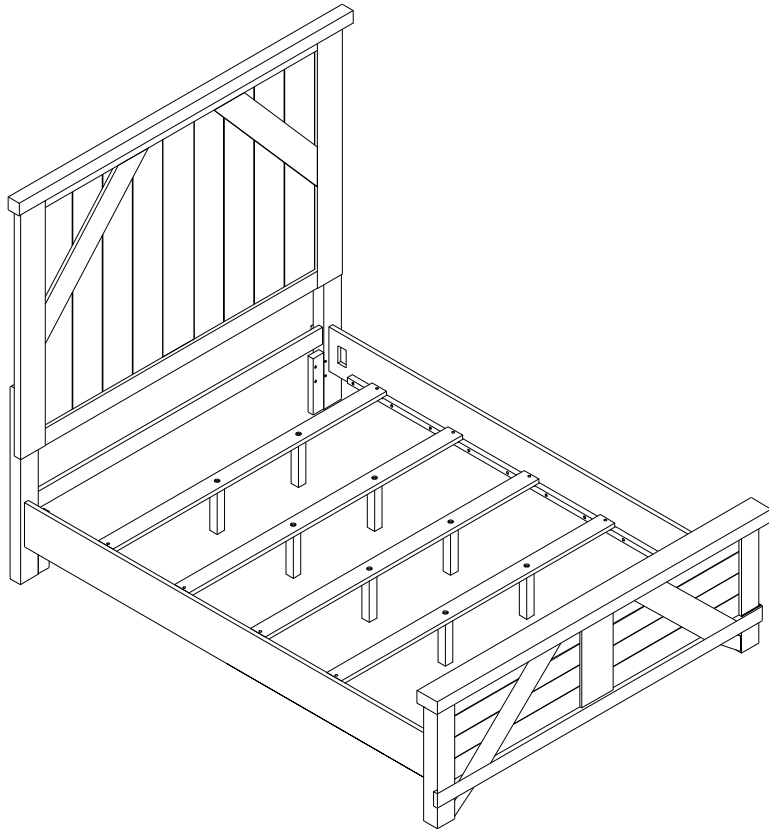
DESCRIPTION / DESCRIPCION : KING BED / TRÈS GRAND LIT / CAMA TAMAÑO KING



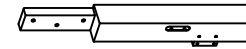
\* Replaceable Part



**REPLACEABLE PART / PARTIE REMPLACABLE / PARTE REEMPLAZABLE**  
**ITEM / NO D'ARTICLE / ARTICULO.: S806-272/271/400**  
**DESCRIPTION / DESCRIPCION : KING BED / TRÈS GRAND LIT / CAMA TAMAÑO KING**



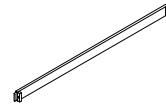
x1 RS806-272-LEGR-Right Leg \*  
 Pattee de droite  
 Pata derecha



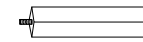
x1 RS806-272-LEGL-Left Leg \*  
 Pattee de gauche  
 Pata izquierda



x1 RS806-272-HWKIT-Hardware kit list \*  
 Liste des pièces de quincailleries  
 Lista del kit de materiales



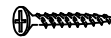
x1 RS806-272-RAIL-Bottom Rail \*  
 Traverse inférieure  
 Carril inferior



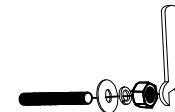
x10 RS806-271-SULEG-Support Leg \*  
 Pattes de supports  
 Patas de apoyo de listones



x5 RS806-271-SLAT-Slat \*  
 Lattes  
 Listones



x10 RS806-271-SCREW-Wood Screw \*  
 Vis à bois  
 Tornillo para madera



x1 RS806-400-HWKIT-Hardware kit list \*  
 Liste des pièces de quincailleries  
 Lista del kit de materiales



x4 RC-WH-NAIL- White Plastic nail \*  
 clou en plastique  
 clavo de plástico

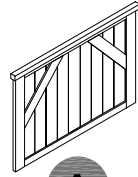
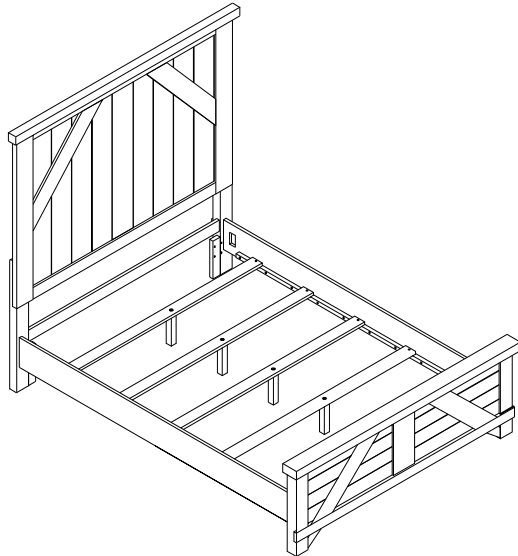


x10 RC-FG-WHITE-White leveler \*  
 Patin ré glable  
 Nivelador

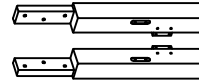
\* Replaceable Part



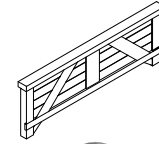
**PARTS LIST / LISTE DES PIÈCES / LISTA DE PIEZA**  
 ITEM / NO D'ARTICLE / ARTICULO.: S806-252/251/400  
 DESCRIPTION / DESCRIPCION : QUEEN BED / GRAND LIT / CAMA QUEEN



**A**  
 x1 Headboard  
 x1 Tête de lit  
 x1 Cabecera



**B**  
 x2 Headboard Legs (Left & Right) \*  
 x2 Pattes de la tête de lit (gauche et droite)  
 x2 Patas de cabecera (izquierda y derecha)



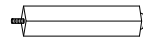
**C**  
 x1 Footboard  
 x1 Pied de lit  
 x1 Pie de cama



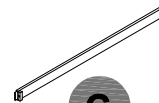
**D**  
 x2 Side Rails  
 x2 Côtés de lit  
 x2 Largueros laterales



**E**  
 x5 Slats \*  
 x5 Lattes  
 x5 Listones



**F**  
 x5 Support Legs \*  
 x5 Pattes de support  
 x5 Patas de soporte



**G**  
 x1 Bottom Rail \*  
 x1 Traverse inférieure  
 x1 Travesaño inferior



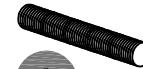
**1**  
 x8 Allen bolt Ø5/16 \* 2" \*  
 x8 Vis à tête creuse hexagonale Ø5/16 \* 2"  
 x8 Perno Allen Ø5/16 \* 2"



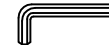
**2**  
 x16 Lock washer Ø5/16\*\*13\*2mm \*  
 x16 Rondelle de blocage Ø5/16\*\*13\*2mm  
 x16 Arandela de Seguridad Ø5/16\*\*13\*2mm



**3**  
 x16 Flat washer Ø5/16\*\*19\*2mm \*  
 x16 Rondelle plate Ø5/16\*\*19\*2mm  
 x16 Arandela plana Ø5/16\*\*19\*2mm



**4**  
 x8 Hanger bolt Ø5/16\*\*3-1/2" \*  
 x8 Boulon-vis Ø5/16\*\*3-1/2"  
 x8 Perno de suspensión Ø5/16\*\*3-1/2"



**5**  
 x1 Allen key M4 \*  
 x1 Clé hexagonale  
 x1 Llave Allen



**6**  
 x8 Hex nut 12\*12\*6mm \*  
 x8 Écrou hexagonal 12\*12\*6mm  
 x8 Tuerca hexagona 2\*12\*6mm



**7**  
 x1 Open wrench 12mm \*  
 x1 Clé à fourche 12mm  
 x1 Llave de boca 12mm



**8**  
 x10 Wood Screw #8\*30mm \*  
 x10 Vis à bois #8\*30mm  
 x10 Tornillo para madera #8\*30mm

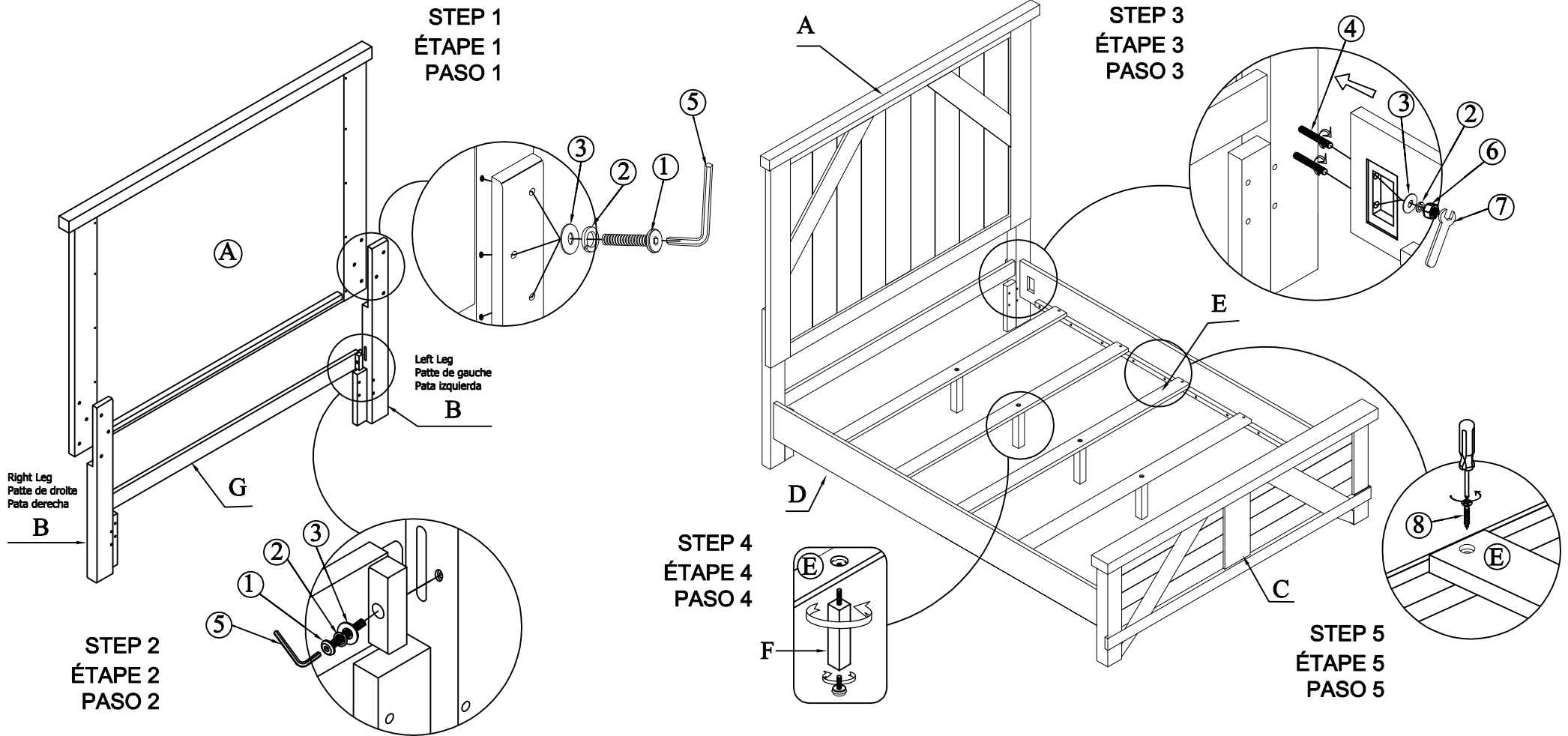
\* Replaceable Part



# ASSEMBLY INSTRUCTION / NOTICE DE MONTAGE / INSTRUCCIONES DE MONTAJE

ITEM / NO D'ARTICLE / ARTICULO.: S806-252/251/400

DESCRIPTION / DESCRIPCION : QUEEN BED / GRAND LIT / CAMA QUEEN



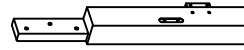
\* Replaceable Part



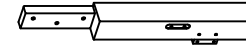
**REPLACEABLE PART / PARTIE REMPLACABLE / PARTE REEMPLAZABLE**

ITEM / NO D'ARTICLE / ARTICULO.: S806-252/251/400

DESCRIPTION / DESCRIPCION : QUEEN BED / GRAND LIT / CAMA QUEEN



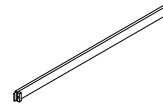
x1 RS806-252-LEGR-Right Leg \*  
Pattee de droite  
Pata derecha



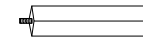
x1 RS806-252-LEGL-Left Leg \*  
Pattee de gauche  
Pata izpuierda



x1 RS806-252-HWKIT-Hardware kit list \*  
Liste des pièces de quincailles  
Lista del kit de materiales



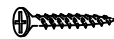
x1 RS806-252-RAIL-Bottom Rail \*  
Traverse inférieure  
Carril inferior



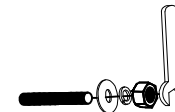
x5 RS806-251-SULEG-Support Leg \*  
Pattes de supports  
Patas de apoyo de listones



x5 RS806-251-SLAT- Slat \*  
Lattes  
Listones



x10 RS806-251-SCREW-Wood Screw \*  
Vis à bois  
Tornillo para madera



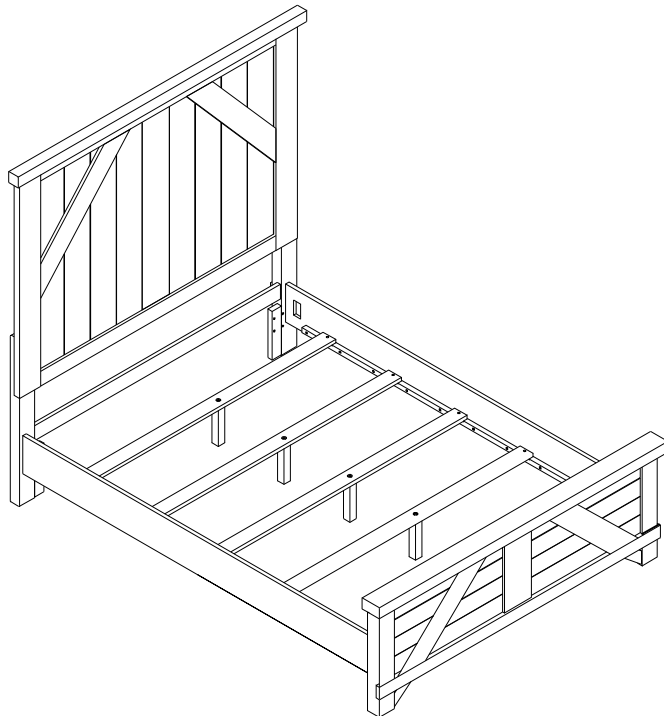
x1 RS806-400-HWKIT-Hardware kit list \*  
Liste des pièces de quincailles  
Lista del kit de materiales



x4 RC-WH-NAIL- White Plastic nail \*  
clou en plastique  
clavo de plástico



x5 RC-FG-WHITE-White leveler \*  
Patin ré glable  
Niveiador



**\* Replaceable Part**