



PARTS LIST / LISTE DES PIÈCES / LISTA DE PIEZA

ITEM / NO D'ARTICLE / ARTICULO.: S786-045A

S786-045B

DESCRIPTION/ DESCRIPCION : Gentlemens Chest Deck/ Partie supérieure de commode/ Parte superior de cómoda

Gentlemens Chest Base/ Base de Commode/ Base de cómoda

⚠ WARNING

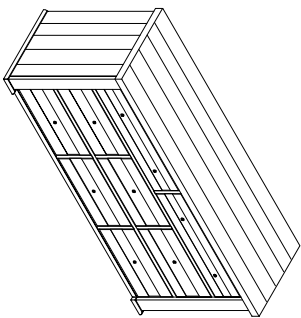
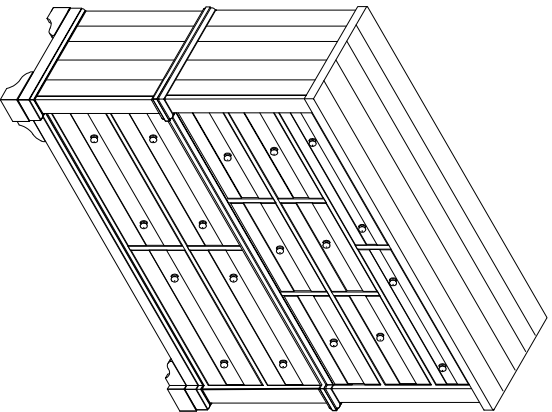


Children have died from furniture tipover. To reduce the risk of furniture tipover:

- ALWAYS install tipover restraint provided.
- NEVER put a TV on this product.
- NEVER allow children to stand, climb or hang on drawers, doors, or shelves.
- NEVER open more than one drawer at a time.
- Place heaviest items in the lowest drawers.

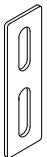


This is a permanent label. Do not remove!



A

- x1 Gentlemens Chest Deck- 045A
- x1 Petite supérieure de commode
- x1 Parte superior de cómoda



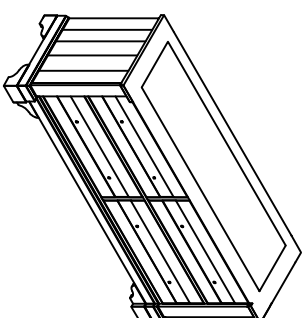
1

- x2 Metal Plate Ø4*32*2mm *
- x2 Plaque de métal Ø4*32*2mm
- x2 Placa de metal Ø4*32*2mm



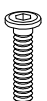
4

- x4 Flat washer Ø5/16**19*2mm *
- x4 Rondelle plate Ø5/16**19*2mm
- x4 Arandela plana Ø5/16**19*2mm



B

- x1 Gentlemens Chest Base - 045B
- x1 Base de Commode
- x1 Base de cómoda



2

- x4 Flat washer Ø5/16**19mm *
- x4 Rondelle plate Ø5/16**19mm
- x4 Arandela plana Ø5/16**19mm



5

- x1 Allen key M4 *
- x1 Clé hexagonale
- x1 Llave Allen



C

- x2 Furniture Tiping Restraint *
- x2 Système antiscissèlement
- x2 Control para evitar vuelcos



3

- x4 Lock washer Ø5/16**13*2mm *
- x4 Rondelle de blocage Ø5/16**13*2mm
- x4 Arandela de Seguridad Ø5/16**13*2mm

* Replaceable Part



ASSEMBLY INSTRUCTION / NOTICE DE MONTAGE / INTRUCCIONES DE MONTAJE

ITEM / NO D'ARTICLE / ARTICULO.: S786-045A

S786-045B

DESCRIPTION/ DESCRIPCION : Gentlemens Chest Deck/ Partie supérieure de commode/ Parte superior de cómoda

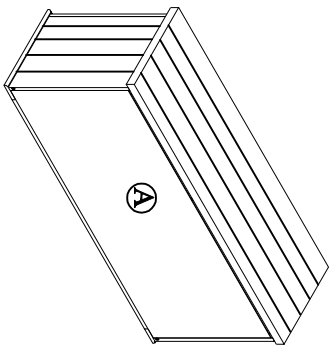
Gentlemens Chest Base/ Base de Commode/ Base de cómoda

⚠ WARNING

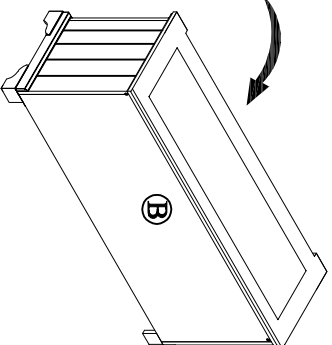
Children have died from furniture tipover. To reduce the risk of furniture tipover:

- ALWAYS install tipover restraint provided.
- NEVER put a TV on this product.
- NEVER allow children to stand, climb or hang on drawers, doors, or shelves.
- NEVER open more than one drawer at a time.
- Place heaviest items in the lowest drawers.

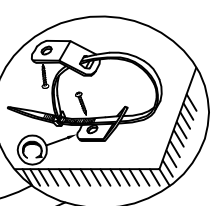
This is a permanent label. Do not remove!



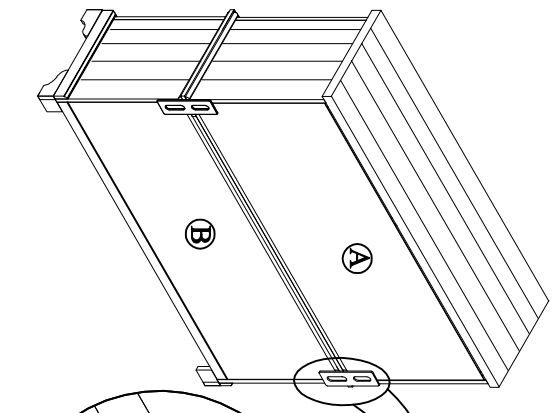
STEP 1
ÉTAPE 1
PASO 1



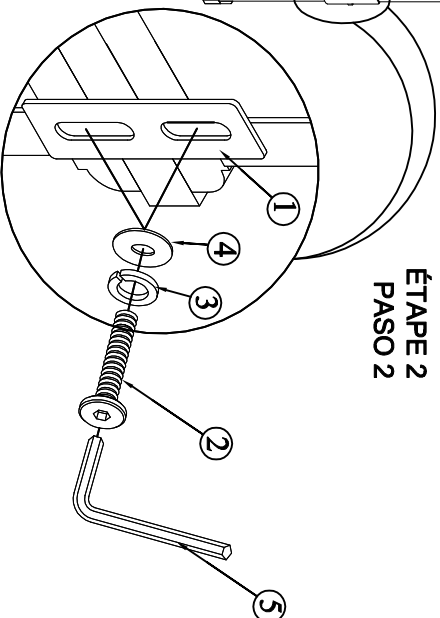
Furniture Tipping Restraint
Système antibasculement
Control para evitar vuelcos



STEP 3
ÉTAPE 3
PASO 3



STEP 2
ÉTAPE 2
PASO 2



Adjustable leveler
Patin réglable
Nivelador ajustable



* Replaceable Part



REPLACEABLE PART / PARTIE REMPLACABLE / PARTE REEMPLAZABLE

ITEM / NO D'ARTICLE / ARTICULO.: S786-045A

S786-045B

DESCRIPTION/ DESCRIPCION : Gentlemens Chest Deck/ Partie supérieure de commode/ Parte superior de cómoda

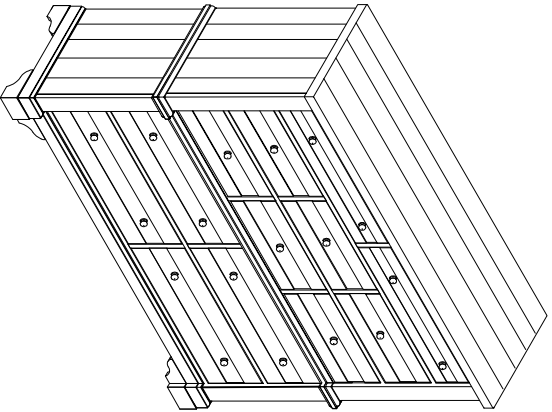
Gentlemens Chest Base/ Base de Commode/ Base de cómoda

⚠ WARNING

Children have died from furniture tipover. To reduce the risk of furniture tipover:

- ALWAYS install tipover restraint provided.
- NEVER put a TV on this product.
- NEVER allow children to stand, climb or hang on drawers, doors, or shelves.
- NEVER open more than one drawer at a time.
- Place heaviest items in the lowest drawers.

This is a permanent label. Do not remove!



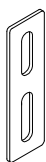
x18 R8786-0104KNOB-Knob with Screw
Poignée + Vis
Tenedor + Tornillo

*



x2 RC-ANTI-TIP-Furniture Tipping Restraint
Système antibasculement
Control para evitar vuelcos

*



x2 R8786-045-PLATE-Metal Plate 84*32*2mm
Plaque de métal 84*32*2mm
Placa de metal 84*32*2mm

*



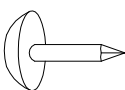
x1 R8786-045-HMKTT-Hardware kit list
Liste des pièces de quincaillerie
Lista del kit de herrajes

*



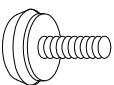
x12 COMGLIDE12-35 - Drawer Glide
Glissière
Deslizamiento del cajón

*



x4 RC-WH-NAIL- White Plastic nail
clou en plastique
clavo de plástico

*



x1 RC-FG-WHITE-White leveler
Patin ré glabie
Nivelador

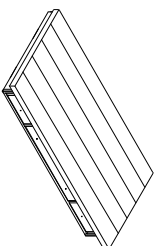
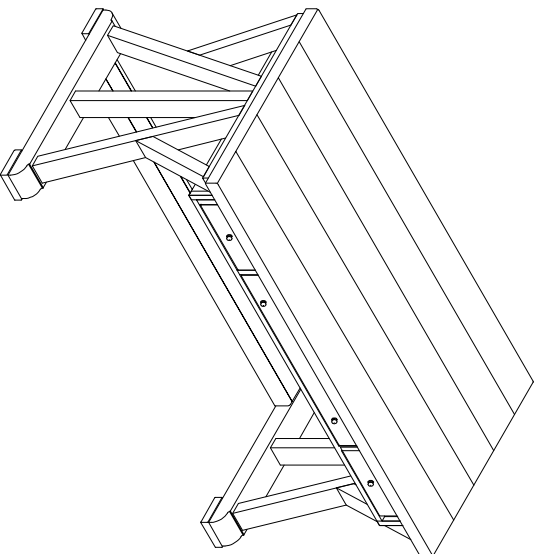
*

* Replaceable Part

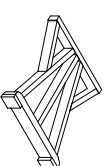


PARTS LIST / LISTE DES PIÈCES / LISTA DE PIEZA
 ITEM / NO D'ARTICLE / ARTICULO.: S786-910
 DESCRIPTION / DESCRIPCION : Desk/ Bureau/ Mesa de tocador

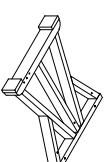
⚠ WARNING	
	<p>Children have died from furniture tipover. To reduce the risk of furniture tipover:</p> <ul style="list-style-type: none"> • ALWAYS install tipover restraint provided. • NEVER put a TV on this product. • NEVER allow children to stand, climb or hang on drawers, doors, or shelves. • NEVER open more than one drawer at a time. • Place heaviest items in the lowest drawers. <p><i>This is a permanent label. Do not remove!</i></p>



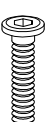
A
 x1 Table panel
 x1 Table de il
 x1 Cabecera



B
 x1 Table Legs Right
 x1 Pattes de la table de il droite
 x1 Patis de cabecera derecha



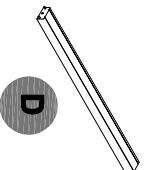
C
 x1 Table Legs Left
 x1 Pattes de la table de il gauche
 x1 Patis de cabecera izquierda



1
 x12 Allen bolt Ø5/16" 40mm *
 x12 Vis à tête creuse hexagonale Ø5/16" 40mm



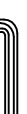
E
 x1 Furniture Tipping Restraint
 x1 Système antibasculement
 x1 Control para evitar vuelcos



D
 x1 Bottom Rail
 x1 Traverse inférieure
 x1 Travesaño inferior



3
 x12 Flat Washer Ø5/16" 19*2mm *
 x12 Rondelle Plats Ø5/16" 19*2mm
 x12 Arandela Plana Ø5/16" 19*2mm



4
 x1 Allen key M4 *
 x1 Clé hexagonale
 x1 Llave Allen



2
 x12 Lock Washer Ø5/16" 14*2mm *
 x12 Rondelle de blocage Ø5/16" 14*2mm
 x12 Arandela de Seguridad Ø5/16" 14*2mm

* Replaceable Part

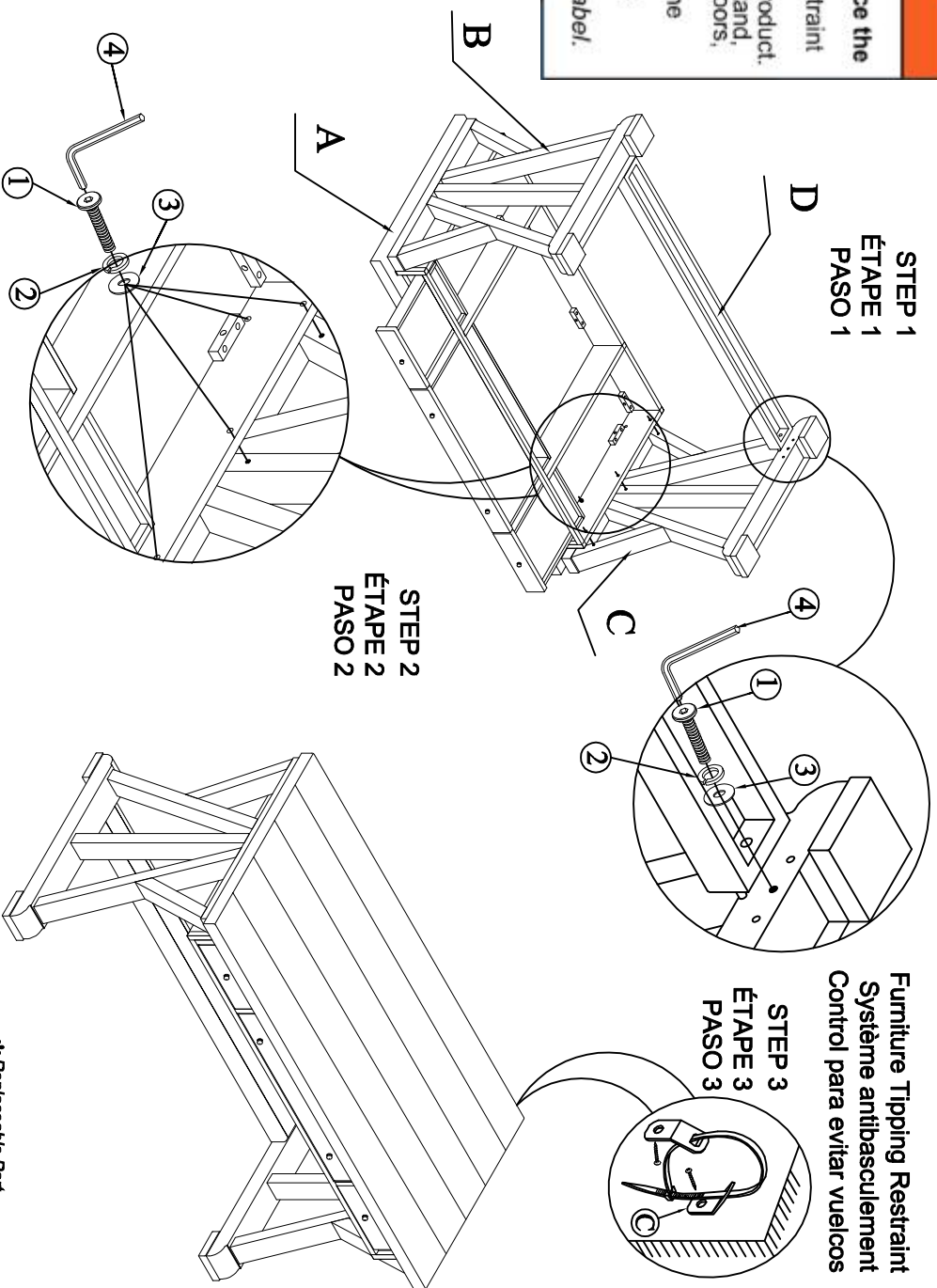


ASSEMBLY INSTRUCTION / NOTICE DE MONTAGE / INSTRUCCIONES DE MONTAJE

ITEM / NO D'ARTICLE / ARTICULO : S786-910

DESCRIPTION / DESCRIPCION : Desk/ Bureau/ Mesa de tocador

		▲ WARNING Children have died from furniture tipover. To reduce the risk of furniture tipover: • ALWAYS install tipover restraint provided. • NEVER put a TV on this product. • NEVER allow children to stand, climb or hang on drawers, doors, or shelves. • NEVER open more than one drawer at a time. • Place heaviest items in the lowest drawers. <i>This is a permanent label. Do not remove!</i>
--	---	--

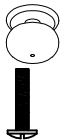
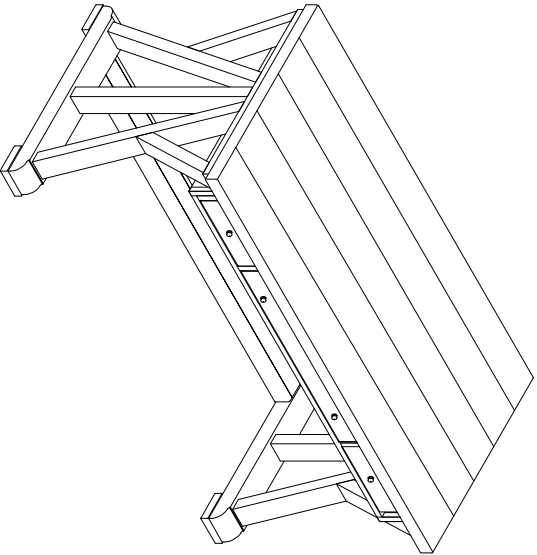




REPLACEABLE PART / PARTIE REMPLACABLE / PARTE REEMPLAZABLE
 ITEM / NO D'ARTICLE / ARTICULO.: S786-910
 DESCRIPTION / DESCRIPCION : Desk/ Bureau/ Mesa de tocador

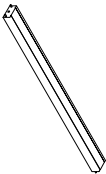
⚠ WARNING

	<p>Children have died from furniture tipover. To reduce the risk of furniture tipover:</p> <ul style="list-style-type: none"> • ALWAYS install tipover restraint provided. • NEVER put a TV on this product. • NEVER allow children to stand, climb or hang on drawers, doors, or shelves. • NEVER open more than one drawer at a time. • Place heaviest items in the lowest drawers. <p><i>This is a permanent label. Do not remove!</i></p>
	



x4 R8786-910-KNOB-Knob with Screw
Poignée + Vis
Tornador + Tornillo

*



x1 R8786-910-RAIL - Bottom Rail
Traverse inférieure
Travesaño inferior

*



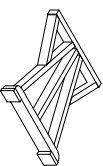
x3 COMGLIDE12-35 - Drawer Glide
Glissière
Deslizamiento del cajón

*



x4 RC-WH-NAIL - White Plastic nail
clou en plastique
clavo de plástico

*



x1 R8786-910-LEGR-Table Legs Right
Pattes de la tête de lit droite
Patas de cabecera derecha

*



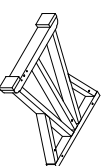
x1 R8786-910-HWKT-Hardware Kit list
Liste des pièces de quincaillerie
Lista del kit de materiales

*



x1 RC-ANTI-TIP-Furniture Tipping Restraint
Système antivolant
Control para evitar vuelcos

*



x1 R8786-910-LEGL-Table Legs Left
Pattes de la tête de lit gauche
Patas de cabecera izquierda

*

*** Replaceable Part**



PARTS LIST / LISTE DES PIÈCES / LISTA DE PIEZA

ITEM / NO D'ARTICLE / ARTICULO.: S786-142A

S786-142B

DESCRIPTION / DESCRIPCION : Credenza Hutch/Crédence huche/Aparador credenza

Credenza Base/Base de crédence/Base de credenza

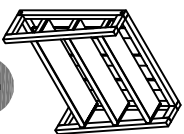
⚠ WARNING



Children have died from furniture tipover. To reduce the risk of furniture tipover:

- ALWAYS install tipover restraint provided.
- NEVER put a TV on this product.
- NEVER allow children to stand, climb or hang on drawers, doors, or shelves.
- NEVER open more than one drawer at a time.
- Place heaviest items in the lowest drawers.

This is a permanent label. Do not remove!



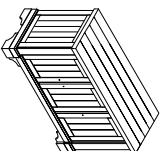
A

- x1 Credenza Hutch
- x1 Crédence huche
- x1 Aparador credenza



2

- x4 Flat washer Ø5/16"×19mm*
- x4 Rondelle plate Ø5/16"×19mm
- x4 Arandela plana Ø5/16"×19"2mm



B

- x1 Credenza Base
- x1 Base de crédence
- x1 Base de credenza



3

- x4 Lock washer Ø5/16"×13"2mm *
- x4 Rondelle de blocage Ø5/16"×13"2mm
- x4 Arandela de Seguridad Ø5/16"×13"2mm



C

- x1 Furniture Tipping Restraint *
- x1 Système antibascullement
- x1 Control para evitar vuelcos



4

- x4 Flat Washer Ø5/16"×19"2mm *
- x4 Rondelle Plate Ø5/16"×19"2mm
- x4 Arandela Plana Ø5/16"×19"2mm



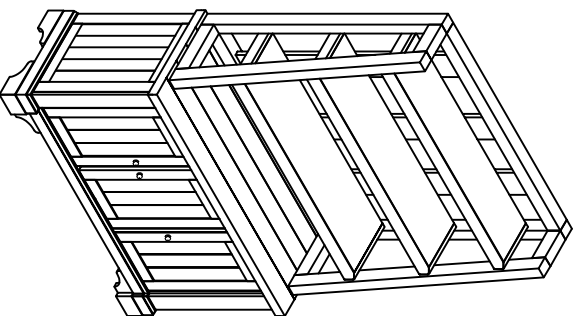
1

- x2 Metal Plate Ø4"×32"2mm *
- x2 Plaque de métal Ø4"×32"2mm
- x2 Placa de metal Ø4"×32"2mm



5

- x1 Allen key M4 *
- x1 Clé hexagonale
- x1 Llave Allen



* Replaceable Part



ASSEMBLY INSTRUCTION / NOTICE DE MONTAGE / INSTRUCCIONES DE MONTAJE

ITEM / NO D'ARTICLE / ARTICULO.: S786-142A

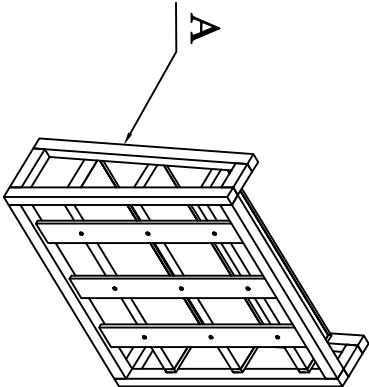
S786-142B

DESCRIPTION / DESCRIPCION : Credenza Hutch/Crédence huche/Aparador credenza

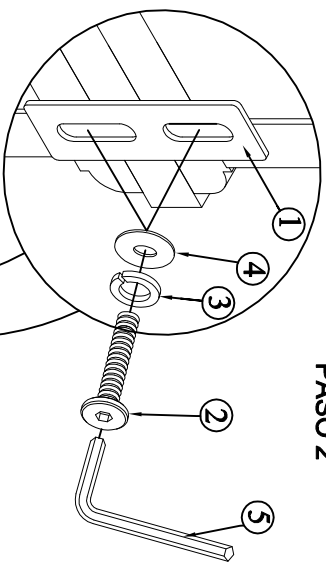
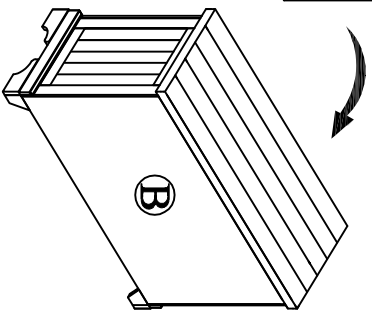
Credenza Base/Base de crédence/Base de credenza

⚠ WARNING

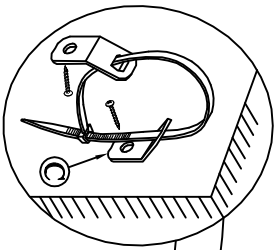
<p>Children have died from furniture tipover. To reduce the risk of furniture tipover:</p> <ul style="list-style-type: none"> • ALWAYS install tipover restraint provided. • NEVER put a TV on this product. • NEVER allow children to stand, climb or hang on drawers, doors, or shelves. • NEVER open more than one drawer at a time. • Place heaviest items in the lowest drawers. <p><i>This is a permanent label. Do not remove!</i></p>	



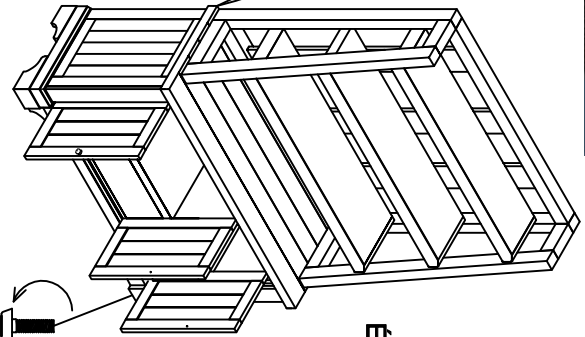
STEP 1
ÉTAPE 1
PASO 1



STEP 2
ÉTAPE 2
PASO 2



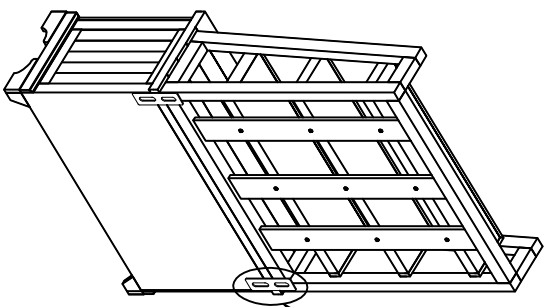
Furniture Tipping Restraint
Système antibasculement
Control para evitar vuelcos



STEP 3
ÉTAPE 3
PASO 3



Residential Use Only



* Replaceable Part



REPLACEABLE PART / PARTIE REMPLACABLE / PARTE REEMPLAZABLE

ITEM / NO D'ARTICLE / ARTICULO.: S786-142A

S786-142B

DESCRIPTION / DESCRIPCION : Credenza Hutch/Crédence huche/Aparador credenza

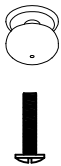
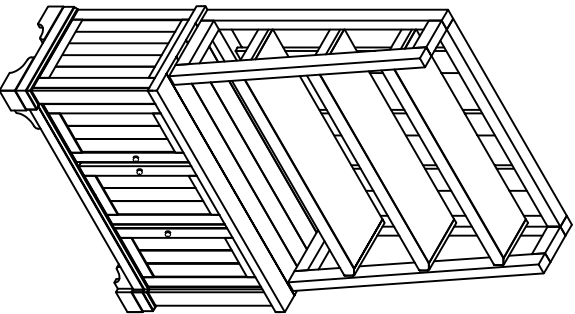
Credenza Base/Base de crédence/Base de credenza

⚠ WARNING

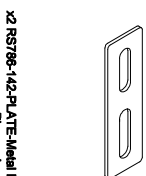
Children have died from furniture tipover. To reduce the risk of furniture tipover:

- ALWAYS install tipover restraint provided.
- NEVER put a TV on this product.
- NEVER allow children to stand, climb or hang on drawers, doors, or shelves.
- NEVER open more than one drawer at a time.
- Place heaviest items in the lowest drawers.

This is a permanent label. Do not remove!



x3 RST786-010-KNOB-Knob with Screw
Poignée * Vis
Tornillo * Tornillo



x2 RST786-142-PLATE-Metal Plate 84*32*2mm
Plaque de métal 84*32*2mm
Placa de metal 84*32*2mm



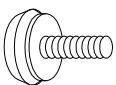
x1 RST786-142-HMWKT Hardware kit list
Liste des pièces de quincaillerie
Lista del kit de materiales



x1 RC-ANTI-TIP-Furniture Tipping Restraint
Système antibasculement
Control para evitar vuelcos



x8 RST786-142-PIN-Sheaf pin
Batterie d'élastère
Bateria de elastèria



x2 RC-F-GHINTE-Metal handle
Poignée à gâche
Materiales



x2 RC-WH-NAIL-White Plastic nail
clou en plastique
clavo de plástico



x3 RST786-142-CATCH-Door Catch
Fresillo de la puerta
Loquet de porta



x8 RST786-142-HINGE-Door Hinge
Bisagra de la puerta
Charnière de porta

* Replaceable Part



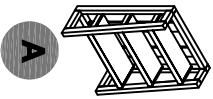
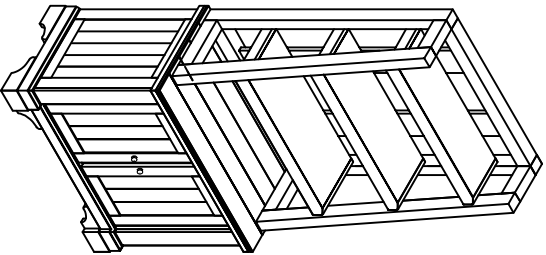
PARTS LIST / LISTE DES PIÈCES / LISTA DE PIEZA
ITEM / NO D'ARTICLE / ARTICULO : S786-934A

S786-934B

DESCRIPTION / DESCRIPCION : Bookcase Hutch/Huche bibliothèque/Aparador de estantería

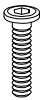
Bookcase Base/Base de bibliothèque/Base de estantería

⚠ WARNING	
	<p>Children have died from furniture tipover. To reduce the risk of furniture tipover:</p> <ul style="list-style-type: none"> • ALWAYS install tipover restraint provided. • NEVER put a TV on this product. • NEVER allow children to stand, climb or hang on drawers, doors, or shelves. • NEVER open more than one drawer at a time. • Place heaviest items in the lowest drawers. <p><i>This is a permanent label. Do not remove!</i></p>
	



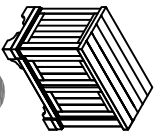
A

- x1 Credenza Hutch
- x1 Crédence huche
- x1 Aparador credenza



2

- x4 Flat washer Ø5/16"×19mm *
- x4 Rondelle plate Ø5/16"×19mm
- x4 Arandela plana Ø5/16"×19"2mm



B

- x1 Credenza Base
- x1 Base de crédence
- x1 Aparador credenza



3

- x4 Lock washer Ø5/16"×13"2mm *
- x4 Rondelle de bicoage Ø5/16"×13"2mm
- x4 Arandela de Seguridad Ø5/16"×13"2mm



C

- x1 Furniture Tipping Restraint *
- x1 Système antibascullement
- x1 Control para evitar vuelcos



4

- x4 Flat Washer Ø5/16"×19"2mm *
- x4 Rondelle Plate Ø5/16"×19"2mm
- x4 Arandela Plana Ø5/16"×19"2mm



1

- x2 Metal Plate Ø4"×32"2mm *
- x2 Plaque de métal Ø4"×32"2mm
- x2 Placa de metal Ø4"×32"2mm



5

- x1 Allen key M4 *
- x1 Clé hexagonale
- x1 Llave Allen

* Replaceable Part



ASSEMBLY INSTRUCTION / NOTICE DE MONTAGE / INSTRUCCIONES DE MONTAJE

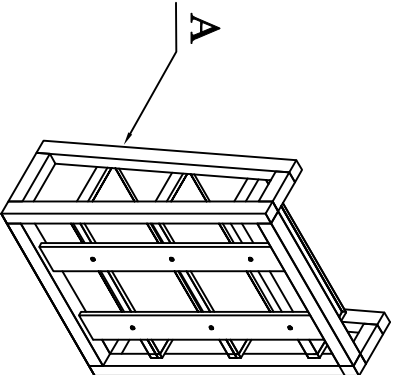
ITEM / NO D'ARTICLE / ARTICULO : S786-934A

S786-934B

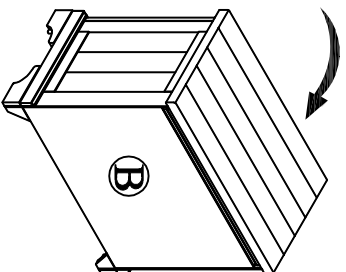
DESCRIPTION / DESCRIPCION : Bookcase Hutch/Huche bibliothèque/Aparador de estantería

Bookcase Base/Base de bibliothèque/Base de estantería

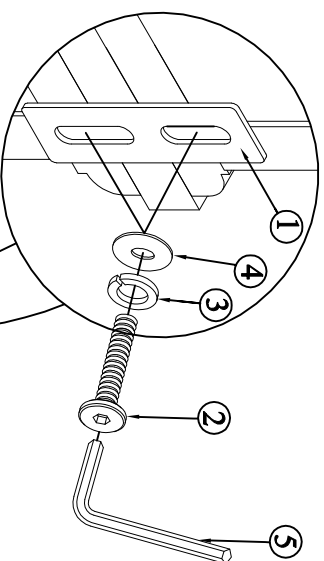
⚠ WARNING	
	
<p>Children have died from furniture tipover. To reduce the risk of furniture tipover:</p> <ul style="list-style-type: none"> • ALWAYS install tipover restraint provided. • NEVER put a TV on this product. • NEVER allow children to stand, climb or hang on drawers, doors, or shelves. • NEVER open more than one drawer at a time. • Place heaviest items in the lowest drawers. <p><i>This is a permanent label. Do not remove!</i></p>	



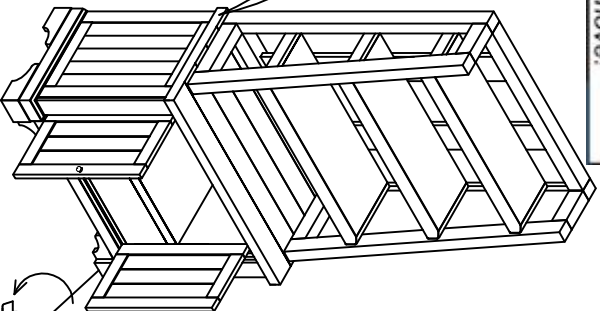
STEP 1
ÉTAPE 1
PASO 1



STEP 2
ÉTAPE 2
PASO 2

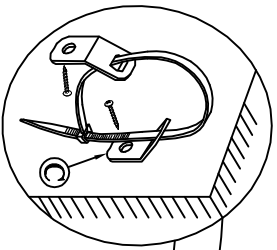


STEP 3
ÉTAPE 3
PASO 3



Adjustable leveler
Patín réglable
Nivelador ajustable

Furniture Tipping Restraint
Système antibasculement
Control para evitar vuelcos





REPLACEABLE PART / PARTIE REMPLACABLE / PARTE REEMPLAZABLE

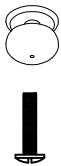
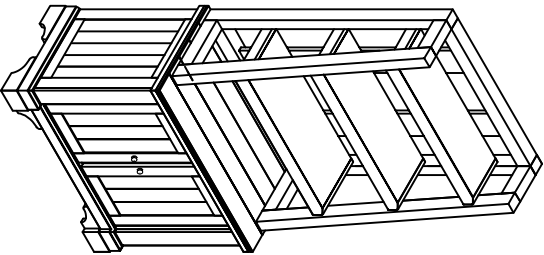
ITEM / NO D'ARTICLE / ARTICULO.: S786-934A

S786-934B

DESCRIPTION / DESCRIPCION : Bookcase Hutch/Huche bibliothèque/Aparador de estantería

Bookcase Base/Base de bibliothèque/Base de estantería

⚠ WARNING	
	<p>Children have died from furniture tipover. To reduce the risk of furniture tipover:</p> <ul style="list-style-type: none"> • ALWAYS install tipover restraint provided. • NEVER put a TV on this product. • NEVER allow children to stand, climb or hang on drawers, doors, or shelves. • NEVER open more than one drawer at a time. • Place heaviest items in the lowest drawers. <p><i>This is a permanent label. Do not remove!</i></p>



x2 R5786-010-KNOB-Knob with Screw
 Poignée + Vis
 Tornillo + Tornillo

x2 R5786-934-PLATE-Metal Plate 64*32*2mm
 Plaque de métal 64*32*2mm
 Placa de metal 64*32*2mm



x1 R5786-934-HWKT Hardware kit list
 Liste des pièces de quincaillerie
 Lista del kit de metales

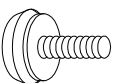


x1 RC-ANTI-TIP-Furniture Tipping Restraint
 Système antibasculement
 Control para evitar vuelcos

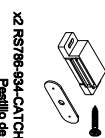
x4 R5786-934-PIN-SHelf pin
 Battente d'étagère
 Batidora de estantería



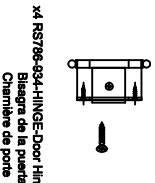
x2 RC-F-GUINTE-Metal handle
 Poignée en métal
 Manivela



x2 RC-WH-NAIL - White Plastic nail
 clou en plastique
 clavo de plástico



x2 R5786-934-CATCH-Door Catch
 Loquet de la porte



x4 R5786-934-HINGE-Door Hinge
 Bisagra de la puerta
 Charnière de porte

*** Replaceable Part**

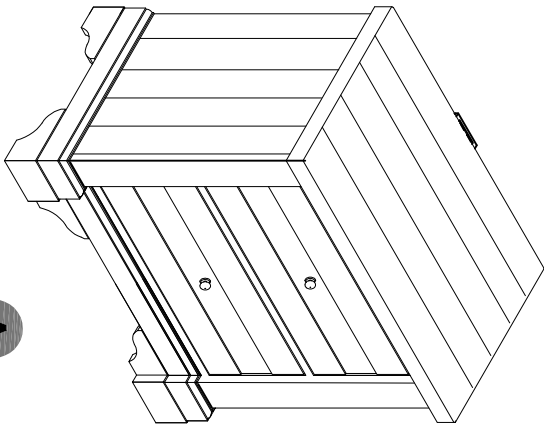
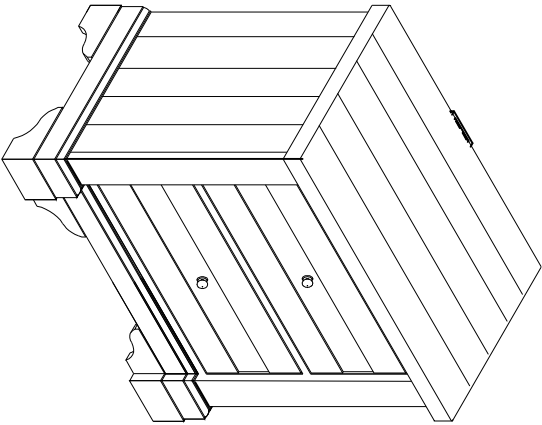


PARTS LIST / LISTE DES PIÈCES / LISTA DE PIEZA

ITEM / NO D'ARTICLE / ARTICULO.: S786-050

DESCRIPTION/ DESCRIPCION : Nightstand / Table de chevet / Mesa de noche

⚠ WARNING	
	
<p>Children have died from furniture tipover. To reduce the risk of furniture tipover:</p> <ul style="list-style-type: none"> • ALWAYS install tipover restraint provided. • NEVER put a TV on this product. • NEVER allow children to stand, climb or hang on drawers, doors, or shelves. • NEVER open more than one drawer at a time. • Place heaviest items in the lowest drawers. <p><i>This is a permanent label. Do not remove!</i></p>	



A

x1 Nightstand
 x1 Table de chevet
 x1 Mesa de noche



B

x1 Furniture Tipping Restraint
 x1 Système antibascullement
 x1 Control para evitar vuelcos

*

* Replaceable Part

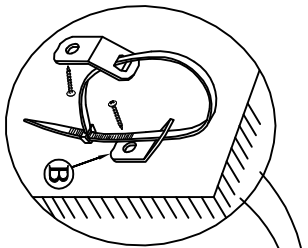


ASSEMBLY INSTRUCTION / NOTICE DE MONTAGE / INSTRUCCIONES DE MONTAJE

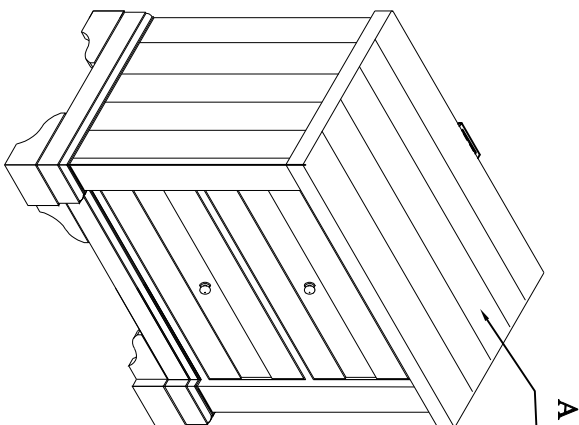
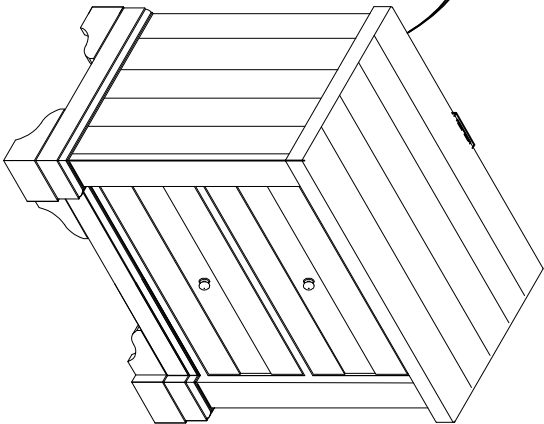
ITEM / NO D'ARTICLE / ARTICULO.: S786-050

DESCRIPTION/ DESCRIPCION : Nightstand / Table de chevet / Mesa de noche

⚠ WARNING	
	
<p>Children have died from furniture tipover. To reduce the risk of furniture tipover:</p> <ul style="list-style-type: none">• ALWAYS install tipover restraint provided.• NEVER put a TV on this product.• NEVER allow children to stand, climb or hang on drawers, doors, or shelves.• NEVER open more than one drawer at a time.• Place heaviest items in the lowest drawers. <p><i>This is a permanent label. Do not remove!</i></p>	



Furniture Tipping Restraint
Système antibasculement
Control para evitar vuelcos



*** Replaceable Part**

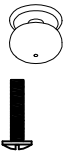
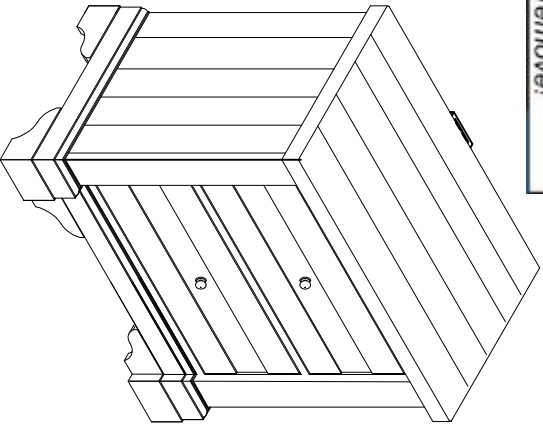


REPLACEABLE PART / PARTIE REMPLACABLE / PARTE REEMPLAZABLE

ITEM / NO D'ARTICLE / ARTICULO : S786-050

DESCRIPTION/ DESCRIPCION : Nightstand / Table de chevet / Mesa de noche

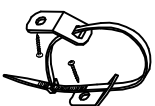
⚠ WARNING	
	<p>Children have died from furniture tipover. To reduce the risk of furniture tipover:</p> <ul style="list-style-type: none"> • ALWAYS install tipover restraint provided. • NEVER put a TV on this product. • NEVER allow children to stand, climb or hang on drawers, doors, or shelves. • NEVER open more than one drawer at a time. • Place heaviest items in the lowest drawers. <p><i>This is a permanent label. Do not remove!</i></p>



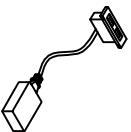
x2 RS786-010-KNOB-Knob with Screw
Poignée + Vis
Tornillo + Tornillo



x4 RC-VH-NAIL - White Plastic nail
clou en plastique
clavo de plástico



x1 RC-ANT-TIP-Furniture Tipping Restraint
Système antiscellement.
Control para evitar vuelcos



x1 RS786-050-USB- USB port
Prise USB
Conectores USB



x2 COMGLIDE-10-35 - Drawer glide
Glissière
Deslizamiento del cajón

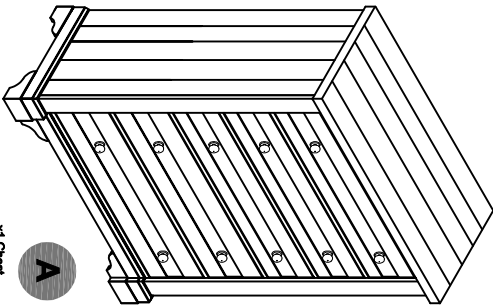
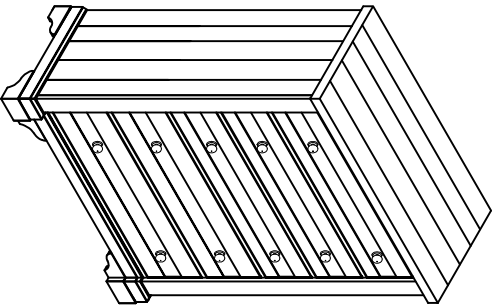


*** Replaceable Part**



PARTS LIST / LISTE DES PIÈCES / LISTA DE PIEZA
ITEM / NO D'ARTICLE / ARTICULO.: S786-040
DESCRIPTION/ DESCRIPCION : Chest / Commode / C6moda

⚠ WARNING	
	
<p>Children have died from furniture tipover. To reduce the risk of furniture tipover:</p> <ul style="list-style-type: none">• ALWAYS install tipover restraint provided.• NEVER put a TV on this product.• NEVER allow children to stand, climb or hang on drawers, doors, or shelves.• NEVER open more than one drawer at a time.• Place heaviest items in the lowest drawers. <p><i>This is a permanent label. Do not remove!</i></p>	



x1 Chest
x1 Commode
x1 C6moda



B

x1 Furniture Tipping Restraint
x1 Système antibasculement
x1 Control para evitar vuelcos

*

* Replaceable Part

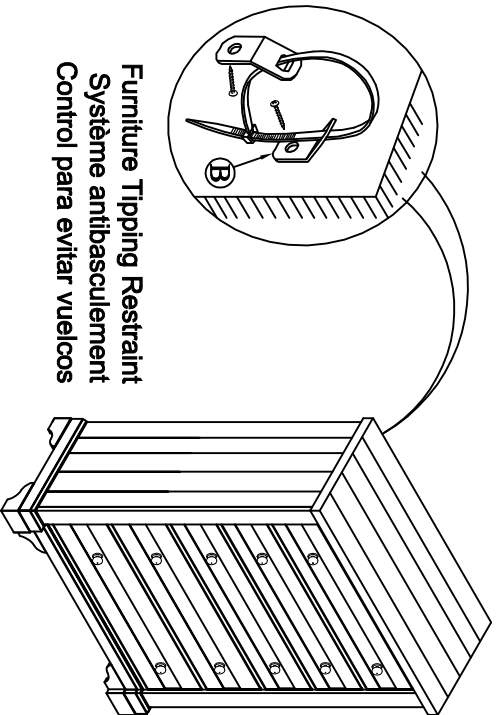


ASSEMBLY INSTRUCTION / NOTICE DE MONTAGE / INSTRUCCIONES DE MONTAJE

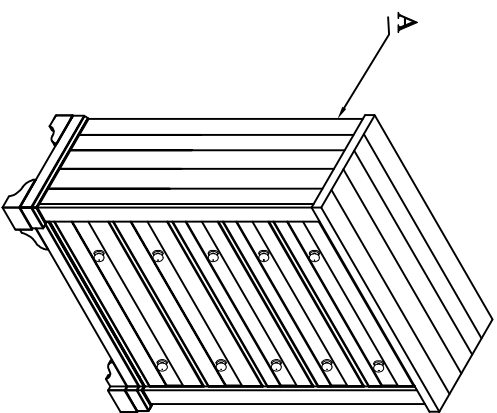
ITEM / NO D'ARTICLE / ARTICULO.: S786-040

DESCRIPTION/ DESCRIPCION : Chest / Commode / Cómoda

⚠ WARNING	
	
<p>Children have died from furniture tipover. To reduce the risk of furniture tipover:</p> <ul style="list-style-type: none">• ALWAYS install tipover restraint provided.• NEVER put a TV on this product.• NEVER allow children to stand, climb or hang on drawers, doors, or shelves.• NEVER open more than one drawer at a time.• Place heaviest items in the lowest drawers. <p><i>This is a permanent label. Do not remove!</i></p>	



Furniture Tipping Restraint
Système antibasculement
Control para evitar vuelcos

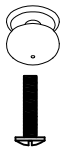
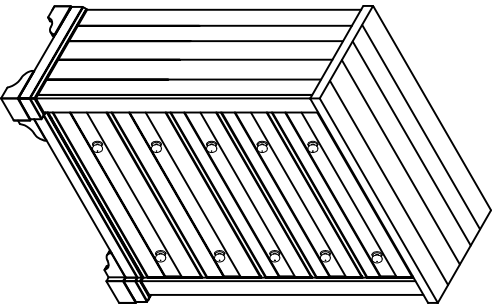


* Replaceable Part



REPLACEABLE PART / PARTIE REMPLACABLE / PARTE REEMPLAZABLE
ITEM / NO D'ARTICLE / ARTICULO : S786-040
DESCRIPTION/ DESCRIPCION : Chest / Commode / C6moda

⚠ WARNING	
	<p>Children have died from furniture tipover. To reduce the risk of furniture tipover:</p> <ul style="list-style-type: none"> • ALWAYS install tipover restraint provided. • NEVER put a TV on this product. • NEVER allow children to stand, climb or hang on drawers, doors, or shelves. • NEVER open more than one drawer at a time. • Place heaviest items in the lowest drawers. <p><i>This is a permanent label. Do not remove!</i></p>



x10 RSR786-010-KNOB-Knob with Screw
 Poignée + Vis
 Tiraedor + Tornillo

*



x1 RC-AVTI-TIP-Furniture Tipping Restraint
 Système antibasculement
 Control para evitar vuelcos

*



x4 RC-WH-NAIL - White Plastic nail
 clou en plastique
 clavo de plástico

*



x6 COMGLIDE12-35 - Drawer glide
 Glissière
 Deslizamiento del cajón

*

*** Replaceable Part**



PARTS LIST / LISTE DES PIÈCES / LISTA DE PIEZA

ITEM / NO D'ARTICLE / ARTICULO.: S786-010

S786-030

DESCRIPTION/ DESCRIPCION : Dresser / Commode / Tocado

Mirror / Miroir / Espejo

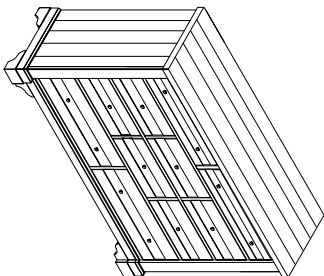
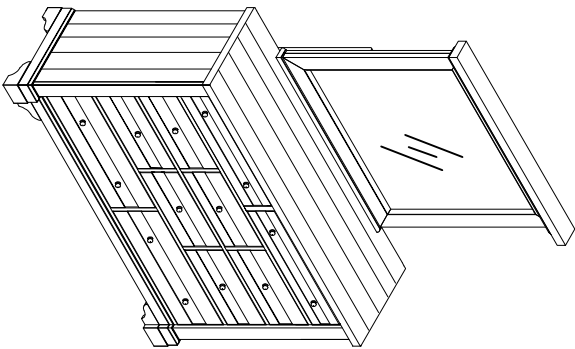
⚠ WARNING



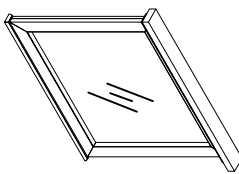
Children have died from furniture tipover. To reduce the risk of furniture tipover:

- ALWAYS install tipover restraint provided.
- NEVER put a TV on this product.
- NEVER allow children to stand, climb or hang on drawers, doors, or shelves.
- NEVER open more than one drawer at a time.
- Place heaviest items in the lowest drawers.

This is a permanent label. Do not remove!



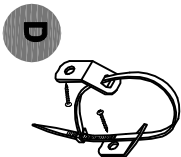
- A**
 - x1 Dresser
 - x1 Commode
 - x1 Tocado



- B**
 - x1 Mirror
 - x1 Miroir
 - x1 Espejo



- C**
 - x2 Mirror Support
 - x2 Piese en charge du miroir
 - x2 Soporte de espejo



- D**
 - x1 Furniture Tipping Restraint
 - x1 Systeme antibasculement
 - x1 Control para evitar vuelcos



- 3**
 - x8 Flat washer Ø1/4"×19*2mm
 - x8 Rondelle plate Ø1/4"×19*2mm
 - x8 Arandela plana Ø1/4"×19*2mm



- 1**
 - x8 Allen bolt Ø1/4" × 38mm
 - x8 Vis à tête creuse hexagonale Ø1/4" × 38mm
 - x8 Perno Allen Ø1/4" × 38mm



- 4**
 - x1 Allen key M4
 - x1 Clé hexagonale
 - x1 Llave Allen



- 2**
 - x8 Lock washer Ø1/4"×11*2mm
 - x8 Rondelle de blocage Ø1/4"×11*2mm
 - x8 Arandela de Seguridad Ø1/4"×11*2mm

* Replaceable Part



ASSEMBLY INSTRUCTION / NOTICE DE MONTAGE / INSTRUCCIONES DE MONTAJE

ITEM / NO D'ARTICLE / ARTICULO.: S786-010

S786-030

DESCRIPTION/ DESCRIPCION : Dresser / Commode / Tocado

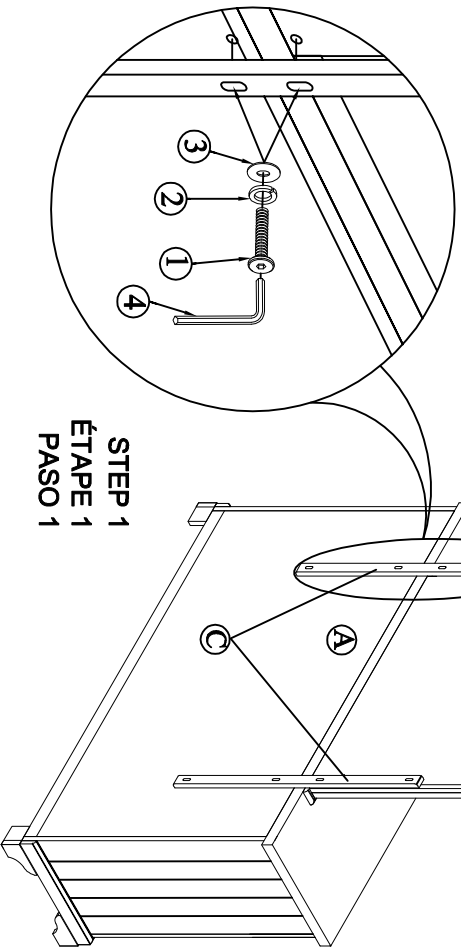
Mirror / Miroir / Espejo

⚠ WARNING

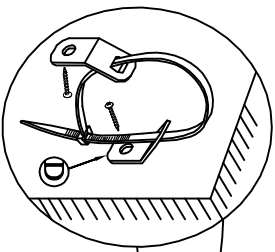
Children have died from furniture tipover. To reduce the risk of furniture tipover:

- ALWAYS install tipover restraint provided.
- NEVER put a TV on this product.
- NEVER allow children to stand, climb or hang on drawers, doors, or shelves.
- NEVER open more than one drawer at a time.
- Place heaviest items in the lowest drawers.

This is a permanent label. Do not remove!

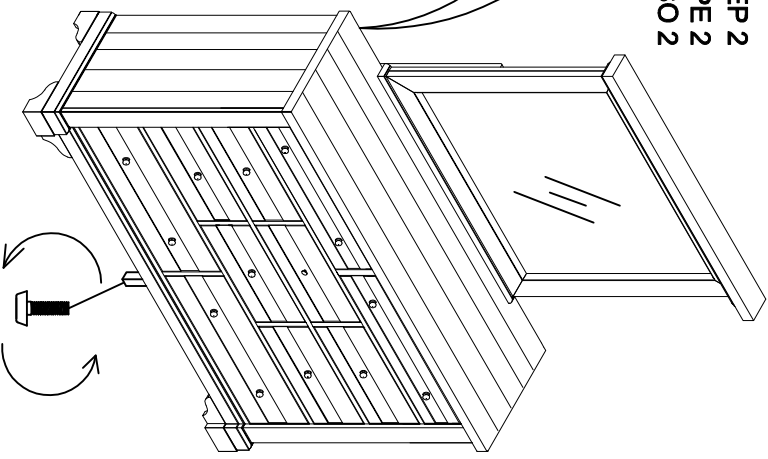


STEP 1
ÉTAPE 1
PASO 1



Furniture Tipping Restraint
Système antibasculement
Control para evitar vuelcos

STEP 2
ÉTAPE 2
PASO 2



Adjustable leveler
Patin réglable
Nivelador ajustable

* Replaceable Part

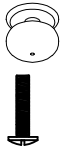
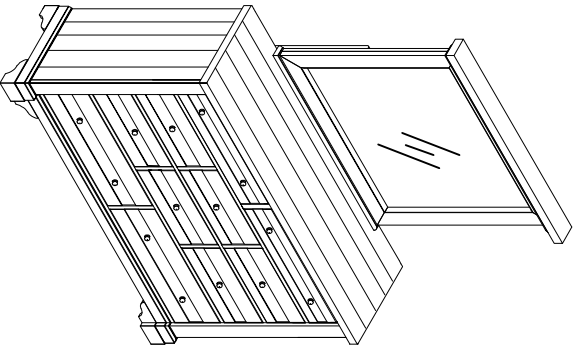


REPLACEABLE PART / PARTIE REMPLACABLE / PARTE REEMPLAZABLE

ITEM / NO D'ARTICLE / ARTICULO.: S786-010
S786-030

DESCRIPTION / DESCRIPCION : Dresser / Commode / Tocado
Mirror / Miroir / Espejo

⚠ WARNING	
	<p>Children have died from furniture tipover. To reduce the risk of furniture tipover:</p> <ul style="list-style-type: none"> • ALWAYS install tipover restraint provided. • NEVER put a TV on this product. • NEVER allow children to stand, climb or hang on drawers, doors, or shelves. • NEVER open more than one drawer at a time. • Place heaviest items in the lowest drawers. <p><i>This is a permanent label. Do not remove!</i></p>



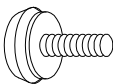
x14 RS786-010-KNOB-Knob with Screw
Poignée + Vis
Tirador + Tornillo

*



x1 RC-ANTI-TIP-Furniture Tipping Restraint
Système antioversement
Control para evitar vuelcos

*



x2 RC-FG-WHITE White leveler
Patin re gradué
Nivelador

*



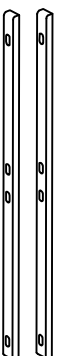
x4 RC-WH-HALL- White Plastic nail
clou en plastique
clavo de plástico

*



x1 RS786-030-HMKT-Hardware kit for
Mirror
Accessoires de quincaillerie
Llaves del kit de herrajes

*



x2 RS786-030-MISU- Mirror Support
Supports de miroir
Soportes del espejo

*



x10 COM/GUIDE12-35 - Drawer glide
Glissière
Deslizamiento del cajón

*

*** Replaceable Part**



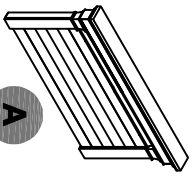
PARTS LIST / LISTE DES PIÈCES / LISTA DE PIEZA

ITEM / NO D'ARTICLE / ARTICULO.: S786-272/271/400

DESCRIPTION / DESCRIPIÇION : Headboard / Tête de lit / Cabeceira

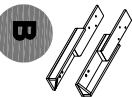
Side Rails / Côtés de lit / Pie de cama

Footboard / Pied de lit / Pie de cama



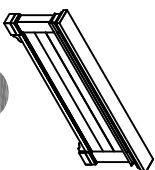
x1 Headboard
x1 Tête de lit
x1 Cabeceira

A



x2 Headboard Legs (Left & Right) *
x2 Pattes de la tête de lit (gauche et droite)
x2 Pataas de cabeceira (Izquierda y derecha)

B



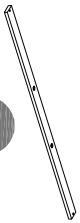
x1 Footboard
x1 Pied de lit
x1 Pie de cama

C



x2 Side Rails
x2 Côtés de lit
x2 Largueros laterales

D



x5 Slats *
x5 Lattes
x5 Listones

E



x10 Support Legs *
x10 Pataas de soporte

F



x8 Allen bolt Ø5/16 * 2" *
x8 Vis à tête creuse hexagonale Ø5/16 * 2"
x8 Perno Allen Ø5/16 * 2"

1



x14 Lock washer Ø5/16**13*2mm *
x14 Rondelle de blocage Ø5/16**13*2mm
x14 Arandela de Seguridad Ø5/16**13*2mm

2



x14 Flat washer Ø5/16**19*2mm *
x14 Rondelle plate Ø5/16**19*2mm
x14 Arandela plana Ø5/16**19*2mm

3



x8 Hanger bolt Ø5/16**3-1/2" *
x8 Boulon-Vis Ø5/16**3-1/2"
x8 Perno de suspension Ø5/16**3-1/2"

4



x1 Allen key M4 *
x1 Cle hexagonale
x1 Llave Allen

5



x8 Hex nut 12*12*6mm *
x8 Écrou hexagonal 12*12*6mm
x8 Tuercas hexagona 2*12*6mm

6



x1 Open wrench 12mm *
x1 Cle à fourche 12mm
x1 Llave de boca 12mm

7



x10 Wood Screw #8*30mm *
x10 Vis à bois #8*30mm
x10 Tornillo para madera #8*30mm

8

* Replaceable Part



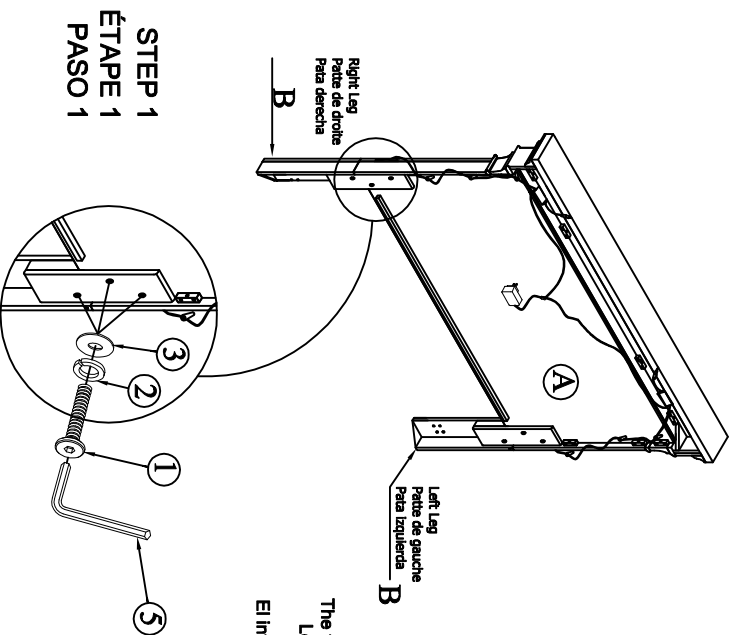
ASSEMBLY INSTRUCTION / NOTICE DE MONTAGE / INSTRUCCIONES DE MONTAJE

ITEM / NO D'ARTICLE / ARTICULO : S786-272/271/400

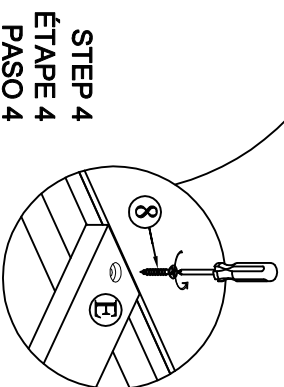
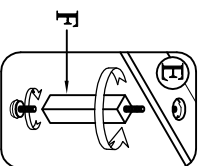
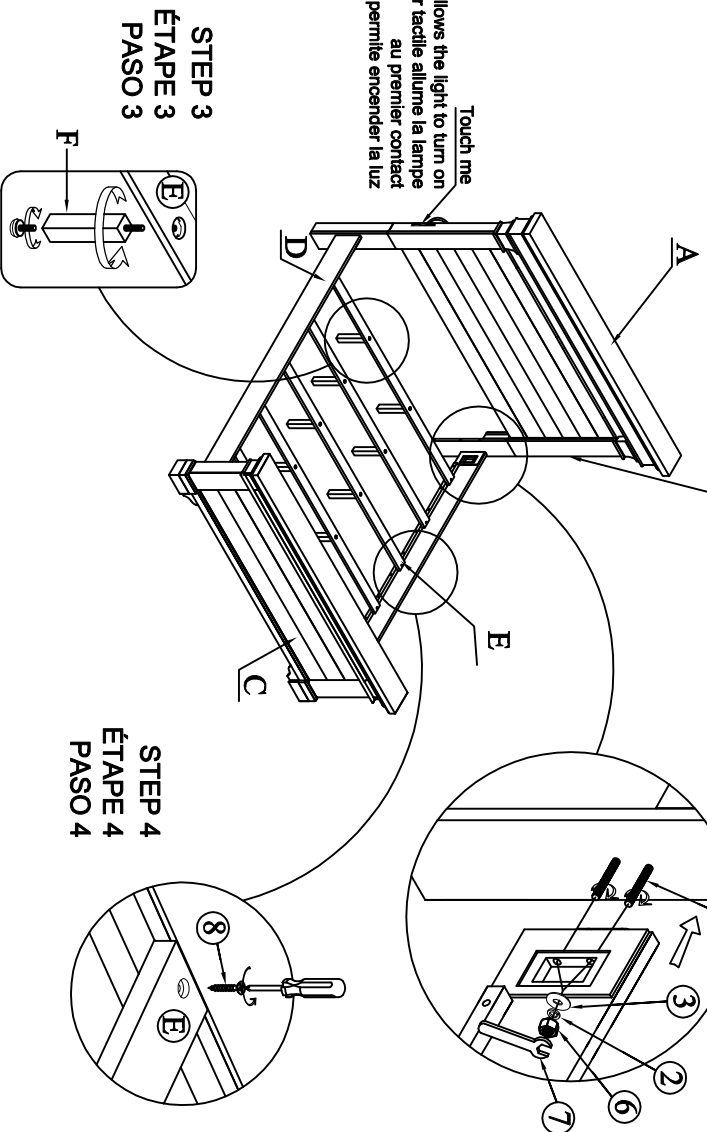
DESCRIPTION / DESCRIPCION : Panel Headboard / Tête de lit / Cabecera

Footboard / Pied de lit / Pie de cama

Side Rails / Côtés de lit / Largueros laterales



The touch switch allows the light to turn on
Le commutateur tactile allume la lampe
El interruptor táctil permite encender la luz



* Replaceable Part

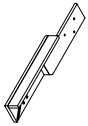


REPLACEABLE PART / PARTIE REMPLACABLE / PARTE REEMPLAZABLE

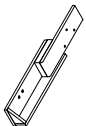
ITEM / NO D'ARTICLE / ARTICULO.: S786-272/271/400

DESCRIPTION / DESCRIPCION : Panel Headboard / Tête de lit / Cabecera

Side Rails / Côtés de lit / Lateraleros laterales



x1 R8786-272-LEG-R-Right Leg
Pattes de droite
Pata derecha *



x1 R8786-272-LEG-L-Left Leg
Pattes de gauche
Pata izquierda *



x1 R8786-272-HWKIT-Hardware kit lit
Lites des pièces de quincaillerie
Litas del kit de mantenimiento *



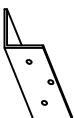
x10 R8786-271-SCREW-Wood Screw
Vis à bois
Tornillo para madera *



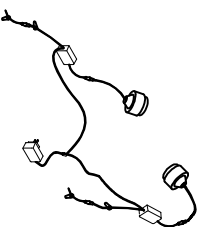
x10 R8786-271-SULEG-Support Leg
Pattes de supports
Patas de apoyo de listones *



x5 R8786-271-SLAT-Slat
Lattes
Listones *



x2 R8786-272-TOUCH - Touche
Toque *



x1 R8786-272-FURN - Furniture
Furniture *



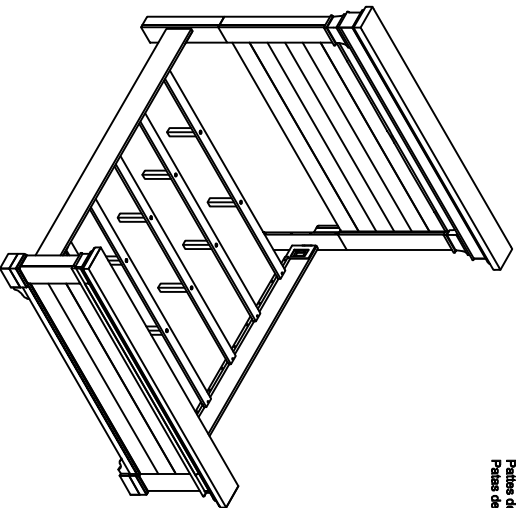
x8 R8786-400-HWKIT-Hardware kit lit
Lites des pièces de quincaillerie
Litas del kit de mantenimiento *



x10 RC-FG-WHITE-Niviskod
Niviskod *



x4 RC-WH-NAIL-White Plastic nail
clou en plastique
clavo de plástico *



* Replaceable Part

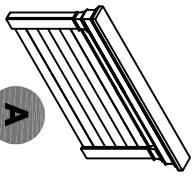


PARTS LIST / LISTE DES PIÈCES / LISTA DE PIEZA

ITEM / NO D'ARTICLE / ARTICULO : S786-252/251/400

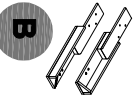
DESCRIPTION / DESCRIPTION : Headboard / Tête de lit / Cabecera

Side Rails/ Côtés de lit / Largueros laterales



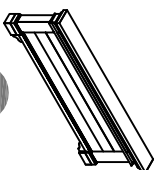
- x1 Headboard
- x1 Tête de lit
- x1 Cabecera

A



- x2 Headboard Legs (Left & Right)
- x2 Pattes de la tête de lit (gauche et droite)
- x2 Pataes de cabecera (Izquierda y derecha)

B



- x1 Footboard
- x1 Pied de lit
- x1 Pie de cama

C



- x2 Side Rails
- x2 Côtés de lit
- x2 Largueros laterales

D



- x5 Slats
- x5 Lattes
- x5 Listones

E



- x5 Support Legs
- x5 Pattes de support
- x5 Pataes de soporte

F



- x8 Allen bolt Ø5/16 * 2"
- x8 Vis à tête creuse hexagonale Ø5/16 * 2"
- x8 Perno Allen Ø5/16 * 2"

1



- x14 Lock washer Ø5/16**13*2mm
- x14 Rondelle de blocage Ø5/16**13*2mm
- x14 Arandela de Seguridad Ø5/16**13*2mm

2



- x14 Flat washer Ø5/16**19*2mm
- x14 Rondelle plate Ø5/16**19*2mm
- x14 Arandela plana Ø5/16**19*2mm

3



- x8 Hanger bolt Ø5/16**3-1/2"
- x8 Boulon-Vis Ø5/16**3-1/2"
- x8 Perno de suspensión Ø5/16**3-1/2"

4



- x1 Allen key M4
- x1 Clé hexagonale
- x1 Llave Allen

5



- x8 Hex nut 12*12*6mm
- x8 Ecrin hexagonal 12*12*6mm
- x8 Tuercas hexagona 2*12*6mm

6



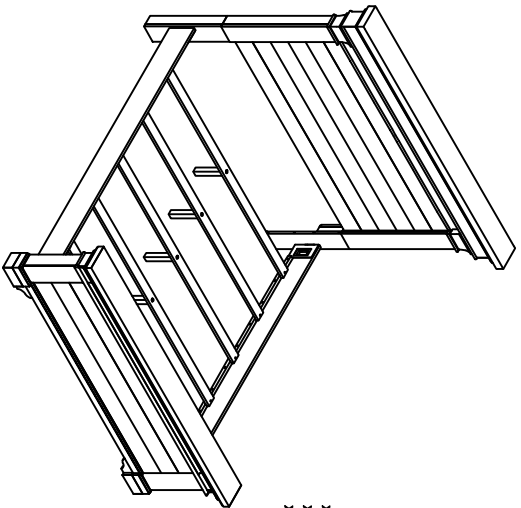
- x1 Open wrench 12mm
- x1 Clé à fourche 12mm
- x1 Llave de boca 12mm

7



- x10 Wood Screw #8*30mm
- x10 Vis à bois #8*30mm
- x10 Tornillo para madera #8*30mm

8



* Replaceable Part



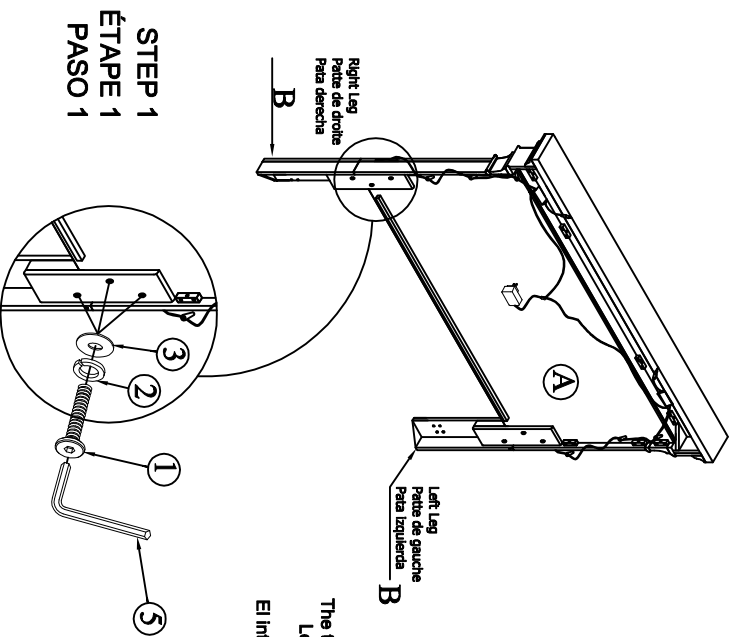
ASSEMBLY INSTRUCTION / NOTICE DE MONTAGE / INSTRUCCIONES DE MONTAJE

ITEM / NO D'ARTICLE / ARTICULO : S786-252/251/400

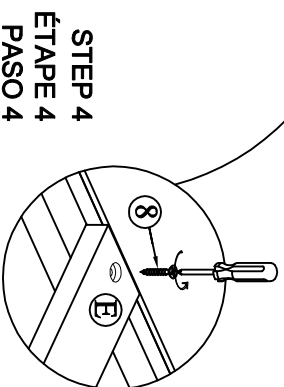
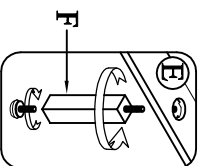
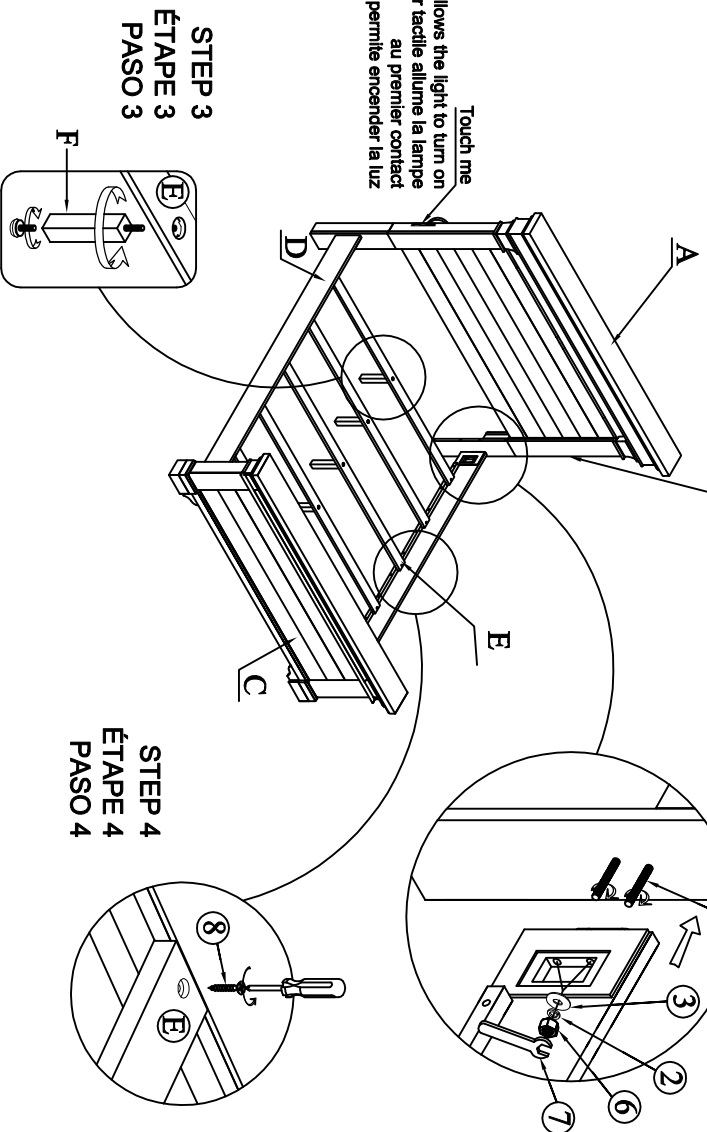
DESCRIPTION / DESCRIPCION : Panel Headboard / Tête de lit / Cabecera

Footboard / Pied de lit / Pie de cama

Side Rails/ Côtés de lit / Largueros laterales



The touch switch allows the light to turn on
Le commutateur tactile allume la lampe
au premier contact
El interruptor táctil permite encender la luz



* Replaceable Part

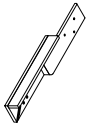


REPLACEABLE PART / PARTIE REMPLACABLE / PARTE REEMPLAZABLE

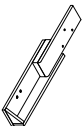
ITEM / NO D'ARTICLE / ARTICULO.: S786-252/251/400

DESCRIPTION / DESCRIPCION : Panel Headboard / Tête de lit / Cabecera

Side Rails/ Côtés de lit / Largueros laterales



x1 RS786-252-LEG-Right Leg
Patas de droite
Pata derecha



x1 RS786-252-LEG-Left Leg
Patas de gauche
Pata izquierda



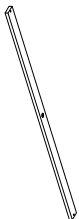
x1 RS786-252-HWKT-Headboard Kit Lid
Lata des pièces de quincaillerie
Lata del kit de materiales



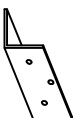
x10 RS786-251-SCREW-Wood Screw
Vis à bois
Tornillo para madera



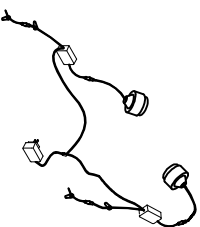
x10 RS786-251-SU-EG-Support Leg
Pattes de supports
Patas de apoyo de listones



x5 RS786-251-SLAT- Slat
Lattes
Listones



x2 RS786-252-TOUCH- Touch L mesa
Toque
Toque



x1 RS786-252-FURN- Furniture
Furniture



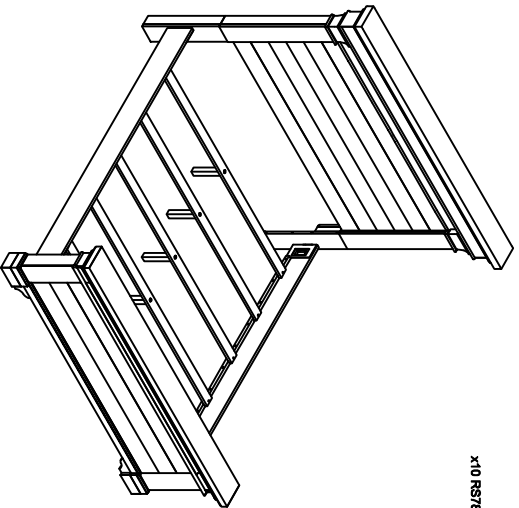
x8 RS786-400-HWKT-Hardware Kit Lid
Lata des pièces de quincaillerie
Lata del kit de materiales



x5 RC-FG-WHITE-White leveler
Niveau en plastique
Nivelador



x4 RC-WH-NAIL- White Plastic nail
clou en plastique
clavo de plástico



* Replaceable Part