

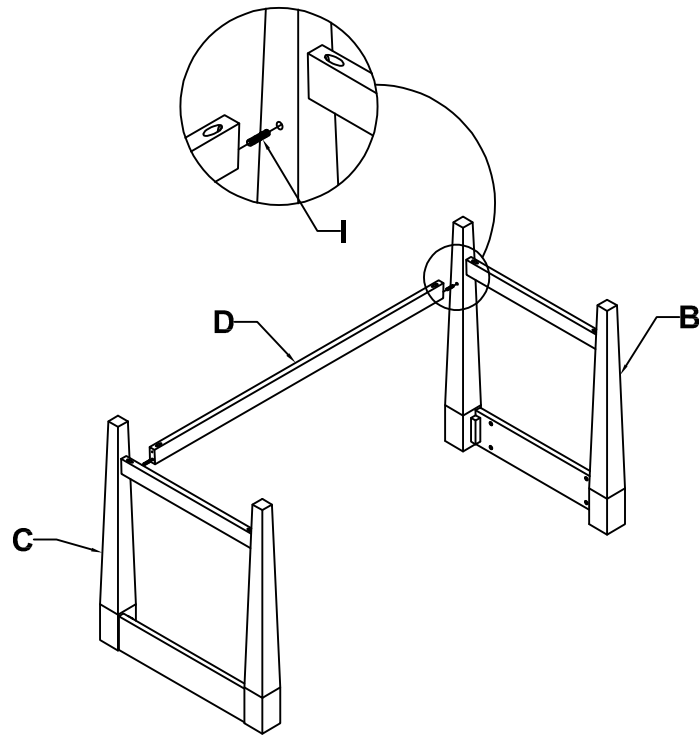


ASSEMBLY INSTRUCTION / NOTICE DE MONTAGE/ INSTRUCCIONES DE MONTAJE

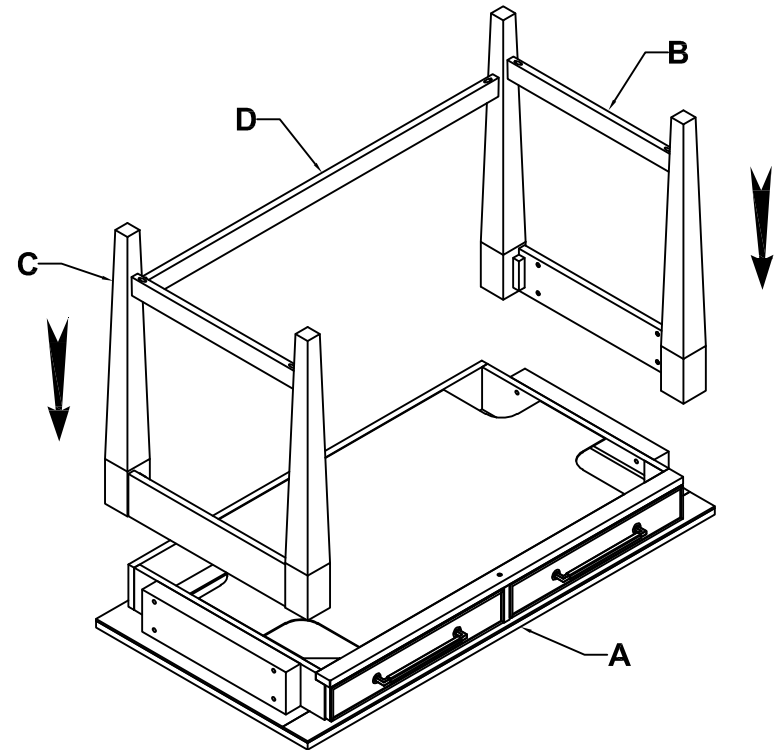
ITEM NO. / ARTICLE NO. / ARTICULO NO : S714-113

DESCRIPTION / LA DESCRIPCION / DESCRIPCIÓN :DESK - BUREAU - MESA DE TOCADOR

STEP 1



STEP 2



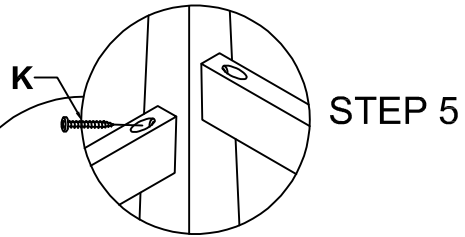
* Replaceable Part



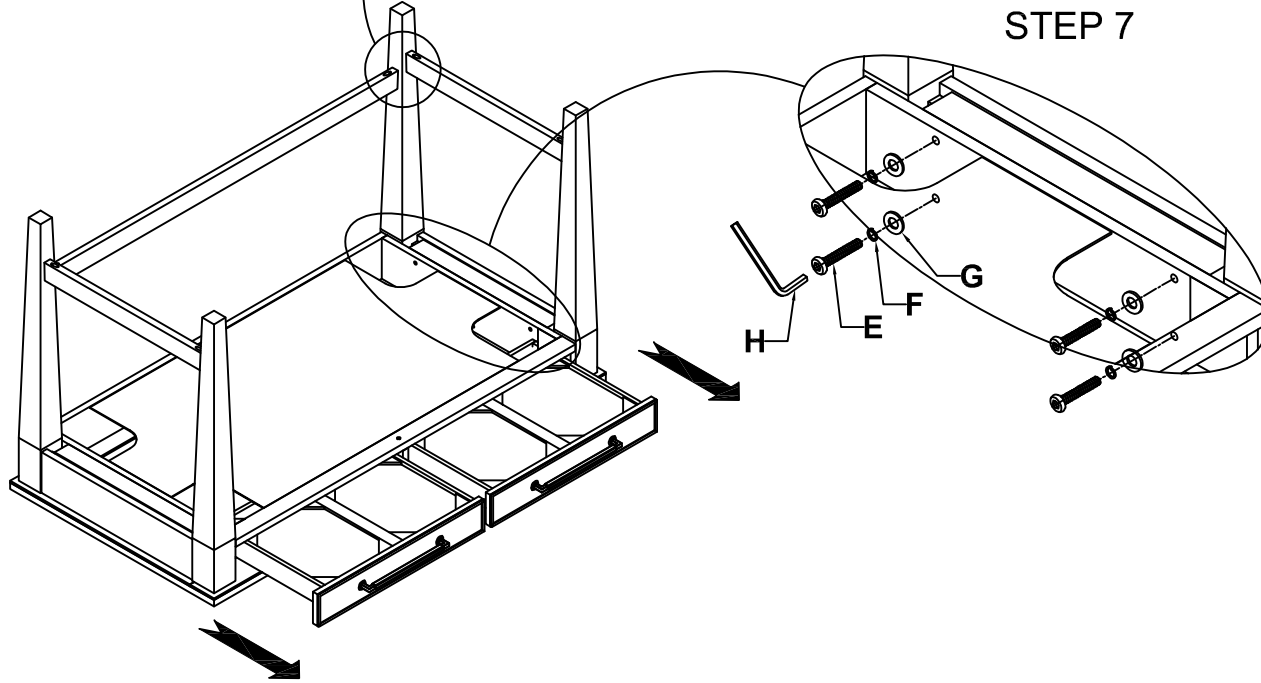
ASSEMBLY INSTRUCTION / NOTICE DE MONTAGE / INSTRUCCIONES DE MONTAJE

ITEM NO. / ARTICLE NO. / ARTICULO NO : S714-113

DESCRIPTION / LA DESCRIPCION / DESCRIPCION : DESK - BUREAU - MESA DE TOCADOR

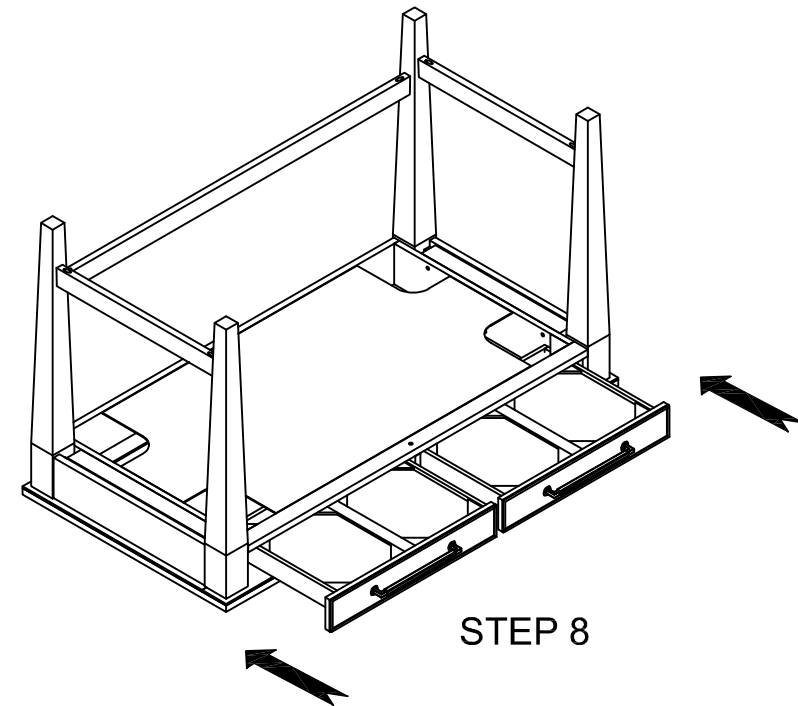


STEP 5



STEP 6

STEP 7



STEP 8

* Replaceable Part

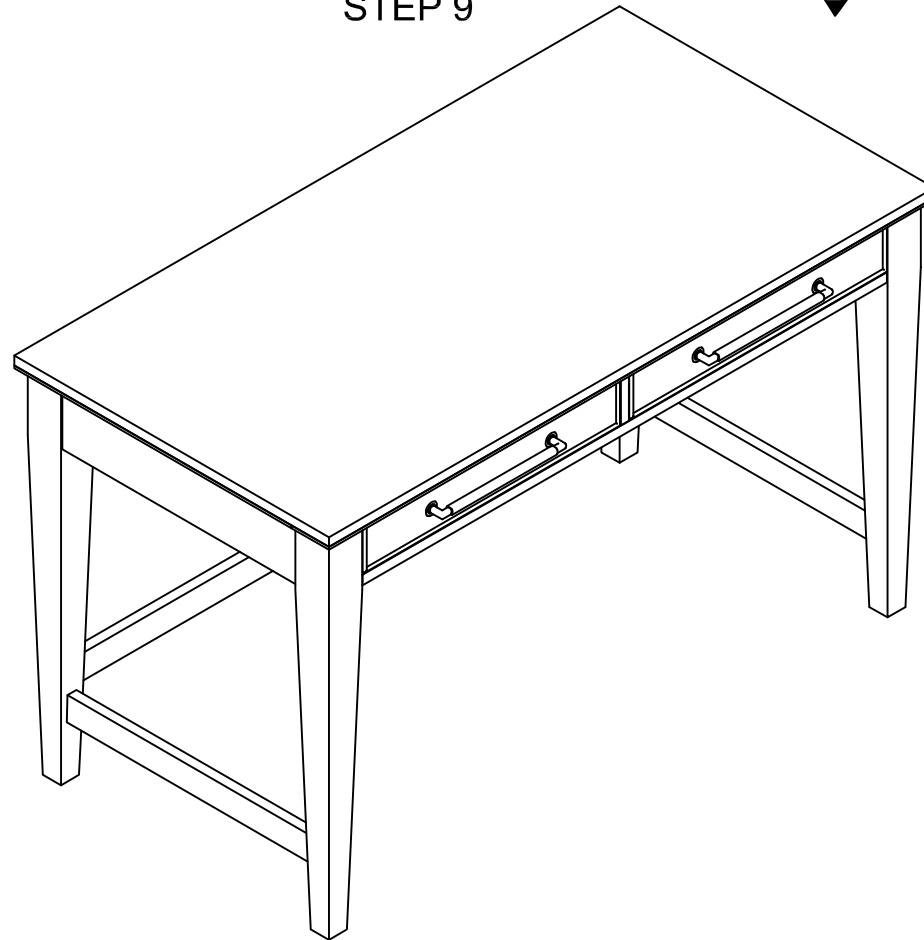


ASSEMBLY INSTRUCTION / NOTICE DE MONTAGE/ INSTRUCCIONES DE MONTAJE

ITEM NO. / ARTICLE NO. / ARTICULO NO : S714-113

DESCRIPTION / LA DESCRIPCION / DESCRIPCIÓN :DESK - BUREAU - MESA DE TOCADOR

STEP 9



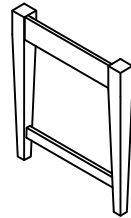
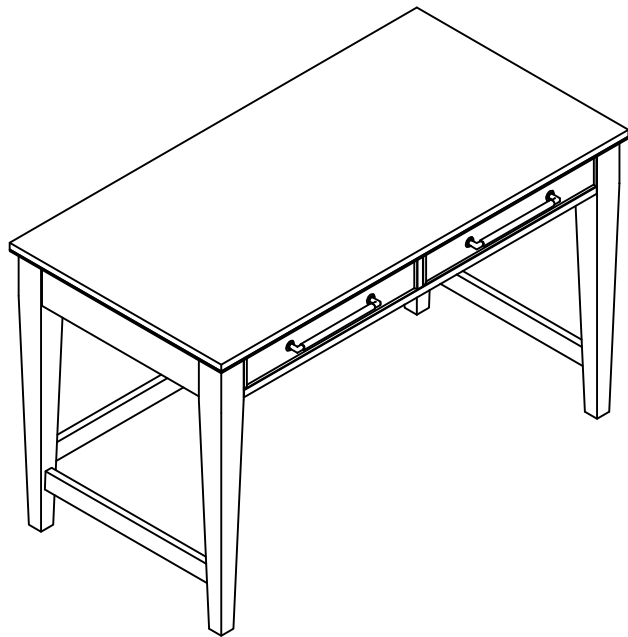
* Replaceable Part



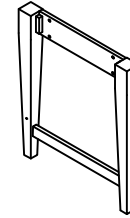
REPLACEABLE PART/ PARTIE REMPLACABLE/ PARTE REEMPLAZABLE

ITEM NO. / ARTICLE NO. / ARTICULO NO : S714-113

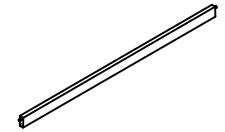
DESCRIPTION / LA DESCRIPCION / DESCRIPCION :DESK - BUREAU - MESA DE TOCADOR



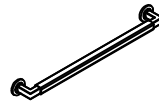
x1 RS714-113-LEGL-Left Leg*
Jambes (gauche)
Piernas (izquierda)



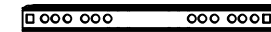
x1 RS714-113-LEGR-Right Leg*
Jambes (droite)
Piernas (derecha)



x1 RS714-113-STRE -Stretcher*
Civière
Camilla



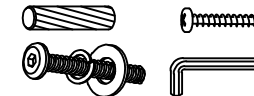
x2 RS714-010- Pull - Pull with Screw*
Tirer et vis
Tire y Tornillo



x 2 COMGLIDE 12-35 Glide 12 inch 35mm*
Glissière
Carril de deslizamiento



x4 RC-WH-NAIL-White Plastic Nail*
Clou en plastique
Clavo de plástico



x1 RS714-113-HWKIT-Hardware Kit*
Liste des pièces de quincaillerie
Lista de materiales

* Replaceable Part

Protect Your Wood or Laminate Flooring

*This statement applies to any floor without carpet.

If not careful, all furniture including upholstery and case pieces can scratch, scuff and even gouge floors. The recommendation is to have felt, rubber pads or area rugs under furniture on flooring without carpet.

Moving your furniture

Pushing and dragging furniture over floors without carpet can lead to scratches and scuffs. Have someone help when moving the larger pieces of furniture by lifting, try using a dolly or moving pads.

Felt and rubber pads

Applying furniture pads to the feet of furniture helps cushion contact points. Furniture pads can be found at local hardware stores. Felt pads slide easily across the floor, making them ideal for dining chairs and other pieces that move with use. Rubber pads will help furniture stay in place and are perfect for larger pieces, like sofas and loveseats.

Area rugs and rug pads

Using an area rug under furniture is another way to protect your floor from scratches and scuff marks. A rug pad under the area rug will provide extra cushion and added protection.