

# PARTS LIST / LISTE DES PIÈCES / LISTA DE PIEZAS

ITEM NO. / ARTICLE NO. / ARTICULO NO : S466-035

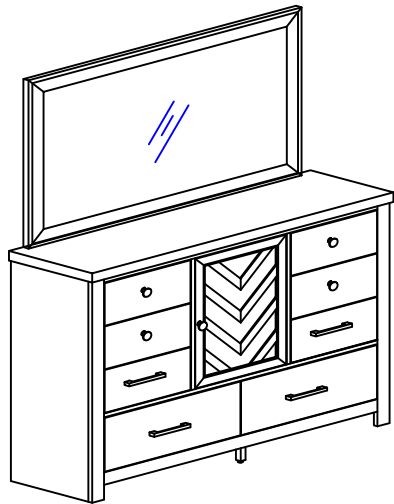
DESCRIPTION / DESCRIPCIÓN : BUREAU MIRROR / MIROIR / ESPEJO

**WARNING**

Children have died from furniture tipover. To reduce the risk of furniture tipover:

- ALWAYS install tipover restraint provided.
- NEVER put a TV on this product.
- NEVER allow children to stand, climb or hang on drawers, doors, or shelves.
- NEVER open more than one drawer at a time.
- Place heaviest items in the lowest drawers.

*This is a permanent label. Do not remove!*



**A**

x8 JCBC Bolt M6 x 35MM \*  
x8 Boulon JCBC M6 x 35MM  
x8 JCBC Perno M6 x 35MM



**B**

x8 Spring Washer M6 \*  
x8 Rondelle à ressort M6  
x8 Arandela auto-bloqueante M6



**C**

x8 Flat Washer M6 \*  
x8 Rondelle Plate M6  
x8 Arandela Plana M6



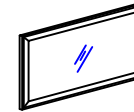
**D**

x1 Allen Key 4 x 65MM \*  
x1 Clé hexagonale 4 x 65MM  
x1 Llave Allen 4 x 65MM



**E**

x2 Mirror Support \*  
x2 Supporte de miroir  
x2 Soporte del espejo



**F**

x1 Landscape Mirror  
x1 Miroir Horizontal  
x1 Espejo Horizontal

*\*Replaceable Part*

# ASSEMBLY INSTRUCTIONS / NOTICE DE MONTAGE / INSTRUCCIONES DE MONTAJE

ITEM NO. / ARTICLE NO. / ARTICULO NO : S466-035

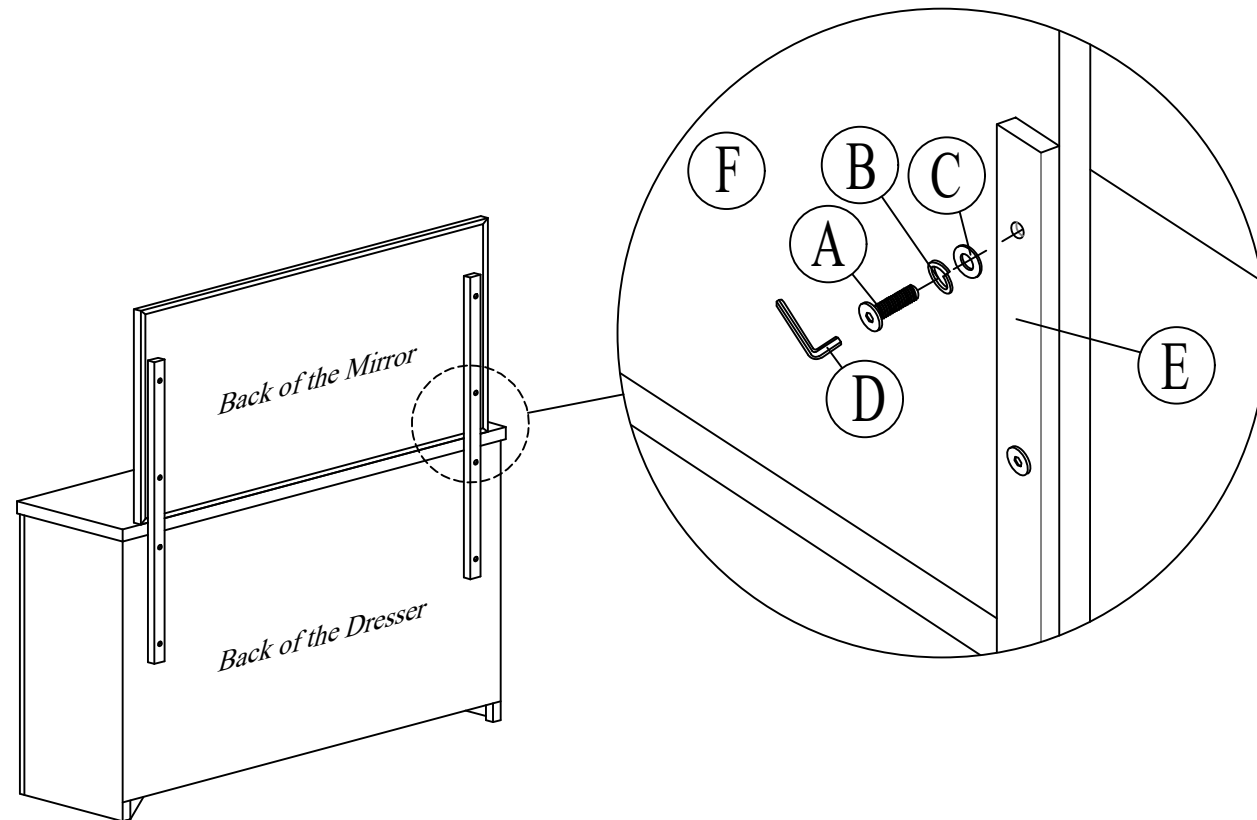
DESCRIPTION / DESCRIPCIÓN : BUREAU MIRROR / MIROIR / ESPEJO

**⚠ WARNING**

Children have died from furniture tipover. To reduce the risk of furniture tipover:

- ALWAYS install tipover restraint provided.
- NEVER put a TV on this product.
- NEVER allow children to stand, climb or hang on drawers, doors, or shelves.
- NEVER open more than one drawer at a time.
- Place heaviest items in the lowest drawers.

*This is a permanent label. Do not remove!*



*\*Replaceable Part*

**REPLACEABLE PART / PARTIE REMPLAÇABLE / PARTE REEMPLAZABLE**

ITEM NO. / ARTICLE NO. / ARTICULO NO : S466-035

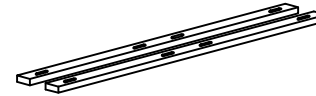
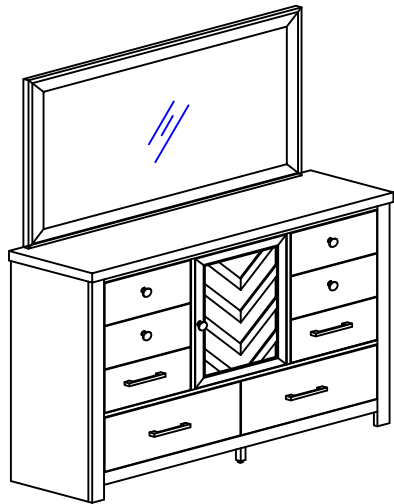
DESCRIPTION / DESCRIPCIÓN : BUREAU MIRROR / MIROIR / ESPEJO

**WARNING**

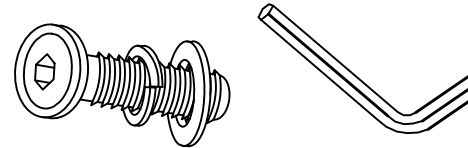
Children have died from furniture tipover. To reduce the risk of furniture tipover:

- ALWAYS install tipover restraint provided.
- NEVER put a TV on this product.
- NEVER allow children to stand, climb or hang on drawers, doors, or shelves.
- NEVER open more than one drawer at a time.
- Place heaviest items in the lowest drawers.

*This is a permanent label. Do not remove!*



x2 RS466-035-MISU \*  
Mirror Support  
Supporte de miroir  
Soporte del espejo



x1 RS466-035-HWKIT \*  
Hardware Kit  
Liste des pièces de quincaillerie  
Lista del kit de materiales

*\*Replaceable Part*