

PARTS LIST / LISTE DES PIÈCES / LISTA DE PIEZAS

ITEM NO. / NO D'ARTICLE / ARTICULO NO. :P361307

DESCRIPTION/ LA DESCRIPTION / DESCRIPCIÓN :SERVER / DESSERTTE / APARADOR

A WARNING

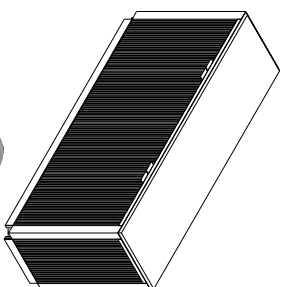
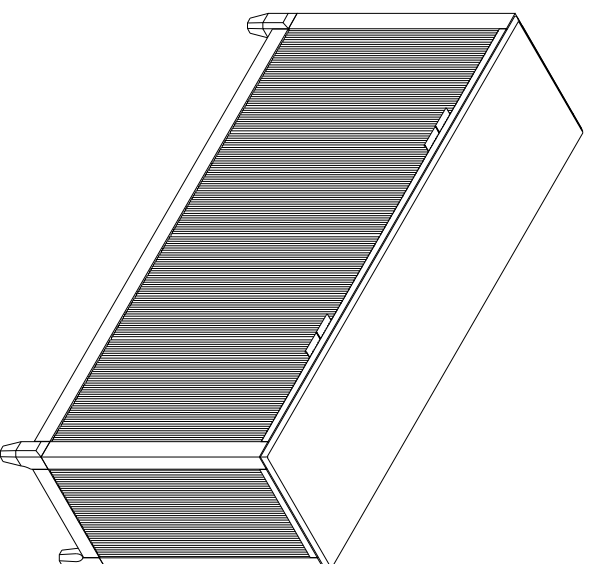


Children have died from furniture tipover. To reduce the risk of furniture tipover:

- NEVER put a TV on this product.
- NEVER allow children to stand, climb or hang on drawers, doors, or shelves.
- NEVER open more than one drawer at a time.

Place heaviest items in the lowest drawers.
This is a permanent label.
Do not remove!





A

x1 Server
x1 Desserte
x1 Aparador

B

x1 Front leg (Left) *
x1 Patte avant (Gauche)
x1 Pata delantera (Izquierda)

C

x1 Front leg (Right) *
x1 Patte avant (Droite)
x1 Pata delantera (Derecha)

D

x1 Back leg (left) *
x1 Patte arrière (gauche)
x1 Pata trasera (izquierda)

E

x1 Back leg (right) *
x1 Patte arrière (droite)
x1 Pata trasera (derecha)

F

x1 Center leg *
x1 Pattes centrales
x1 Patas centrales

G

x8 Flat Washer $\phi 5/16"$ x19x2mm *
x8 Rondelle plate $\phi 5/16"$ x19x2mm
x8 Arandela plana $\phi 5/16"$ x19x2mm

H

x8 Lock washer $\phi 5/16"$ *
x8 Rondelle de blocage $\phi 5/16"$
x8 Arandela de Seguridad $\phi 5/16"$

I

x8 Hex nut $\phi 5/16"$ *
x8 Erou hexagonal $\phi 5/16"$
x8 Tuerca hexagona $\phi 5/16"$



J

x1 Open Wrench $\phi 5/16"$ *
x1 Clé à fourche $\phi 5/16"$
x1 Llave de boca $\phi 5/16"$



L

x1 Furniture Tipping Restraint *
x1 Systeme antibasculement
x1 Control para evitar vucos

* Replaceable Part

Residential Use Only

Made In Vietnam / Fabriqué au Vietnam / Hecho en Vietnam

⚠ WARNING

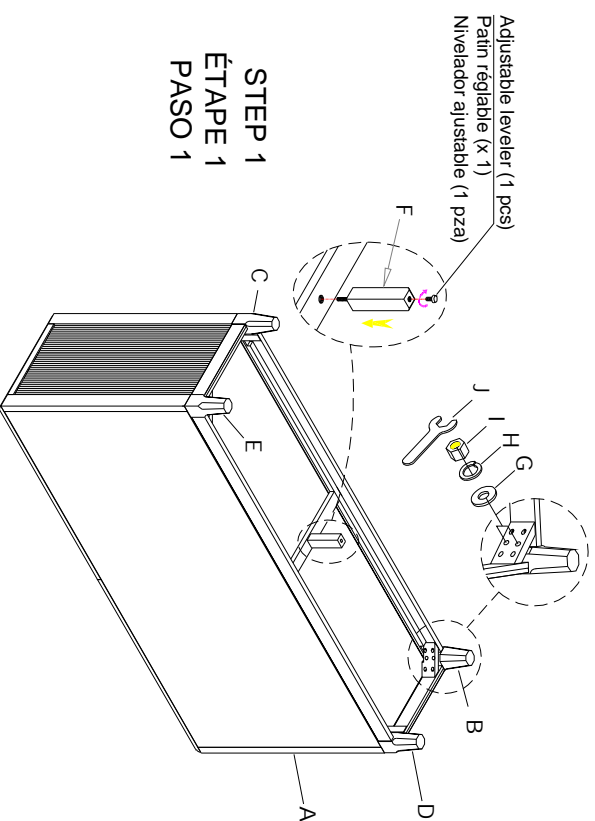


Children have died from furniture tipover. To reduce the risk of furniture tipover:

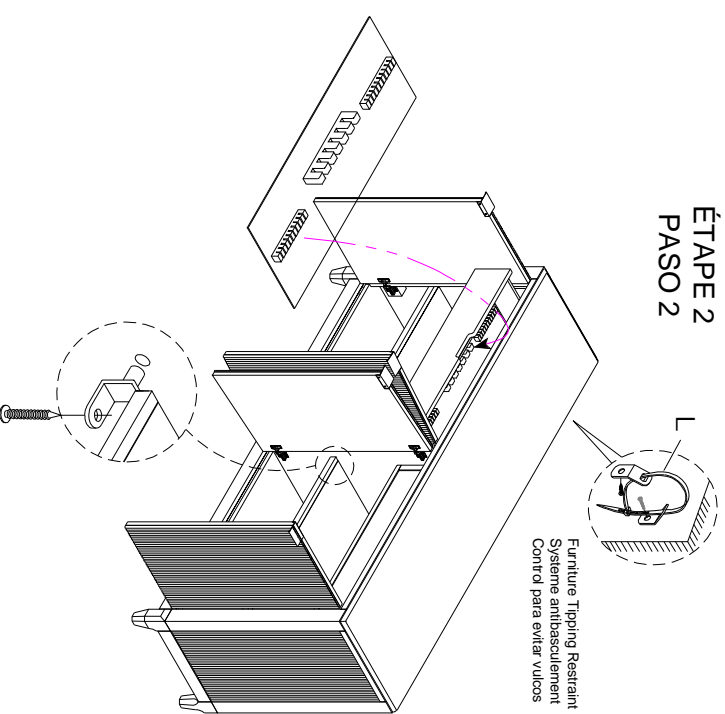
- **NEVER** put a TV on this product.
- **NEVER** allow children to stand, climb or hang on drawers, doors, or shelves.
- **NEVER** open more than one drawer at a time.
- Place heaviest items in the lowest drawers.

This is a permanent label.
Do not remove!

STEP 1 ÉTAPE 1 PASO 1



STEP 2 ÉTAPE 2 PASO 2



* Replaceable Part

REPLACEABLE PART / PARTIE REMPLAÇABLE / PARTE REEMPLAZABLE

ITEM NO. / NO D'ARTICLE / ARTICULO NO. : P361307
 DESCRIPTION / LA DESCRIPTION / DESCRIPCIÓN : SERVER / DESSERTERTE / APARADOR

⚠ WARNING

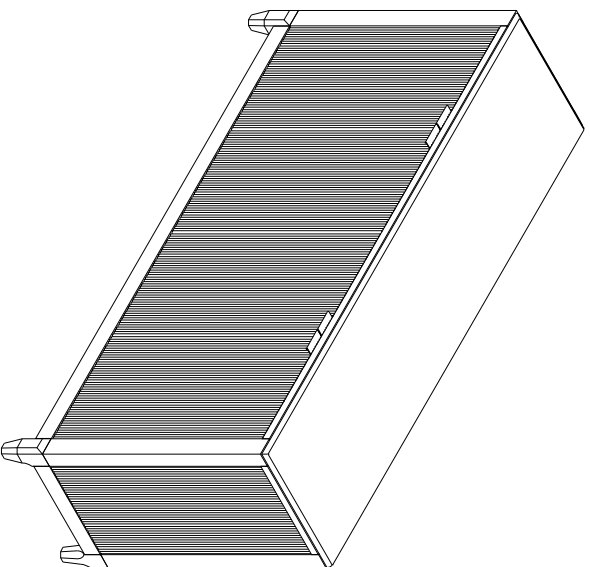


Children have died from furniture tipover. To reduce the risk of furniture tipover:

- **NEVER** put a TV on this product.
- **NEVER** allow children to stand, climb or hang on drawers, doors, or shelves.
- **NEVER** open more than one drawer at a time.



Place heaviest items in the lowest drawers.
 This is a permanent label.
 Do not remove!



- | | | | |
|---|---|---|---|
| <p>x1 RP361307-TRAY - Jewelry tray
 Plateau de bijoux
 Bandeja de joyas</p> <p>x2 RP361307-SHELF-Wood Shelf
 Étagère
 Repisa/ Estante</p> <p>x8 RP361307-SUPP-Shell Support
 Supports Pour
 Tablette Supporte De Las Repisas</p> <p>x2 RP361307-HINGE1 - Big Curved Door Hinge
 Charnière de porte courbe (grande)
 Bisagra de la puerta curvo (grande)</p> | <p>x2 RP361307-FLEGL-FRONT LEG-Left
 Jambes
 PERNAS</p> <p>x4 RP361307-PULL-Pull with Screw
 Poignée + vis
 Tirador + Tornillo</p> <p>x2 RP361307-DG-Drawer Glide
 Glissière
 Carril de deslizamiento</p> <p>x1 RP361307-CE-Center Leg
 Support central
 Soporte para la pata central</p> | <p>x1 RP361307-FLEGL-FRONT LEG-Right
 Jambes
 PERNAS</p> <p>x1 RP361307-FLEGR-BACK LEG-Right
 Jambes
 PERNAS</p> <p>x2 RP361307-SUPP-Shell Support
 Supports Pour
 Tablette Supporte De Las Repisas</p> <p>x2 RP361307-DC-Drawer Glide
 Glissière
 Carril de deslizamiento</p> <p>x1 RP361307-BLEGL-BACK LEG-Left
 Jambes
 PERNAS</p> | <p>x2 RP361307-HINGE2 - Small Curved Door Hinge
 Charnière de porte courbe (petit)
 Bisagra de la puerta curvo (pequeña)</p> <p>x4 RP361307-CATCH-Door Catch
 Catch de aimant
 Captura de imán</p> <p>x2 RC-WH-NAIL - White Plastic Nail
 Clou en plastique
 Clavo de plástico</p> <p>x3 RC-FG-WHITE-White Leveler
 Patin réglable
 Nivelador</p> |
|---|---|---|---|
- x1RP361307-HWKIT-Hardware Kit
 Liste des pièces de quincaillerie
 Lista del kit de materiales

x1 RC-ANTI-TIP - Anti-tipping Restraint
 Système antibasculement
 Control para evitar vuelcos

*** Replaceable Part**

Protect Your Wood or Laminate Flooring

* This statement applies to any floor without carpet.

If not careful, all furniture including upholstery and case pieces can scratch, scuff and even gouge floors. The recommendation is to have felt, rubber pads or area rugs under furniture on flooring without carpet.

Moving your furniture

Pushing and dragging furniture over floor without carpet can lead to scratches and scuffs. Have someone help when moving the larger pieces of furniture by lifting, try using a dolly or moving pads.

Felt and rubber pads

Applying furniture pads to the feet of furniture helps cushion contact points. Furniture pads can be found at local hardware stores. Felt pads slide easily across the floor, making them ideal for dining chairs and other pieces that move with use. Rubber pads will help furniture stay in place and are perfect for larger pieces, like sofas and loveseats.

Area rugs and rug pads

Using an are rug under furniture is another way to protect your floor from scratches and scuff marks. A rug pad under the area rug will provide extra cushion and added protection.

* *Reproachable Part*