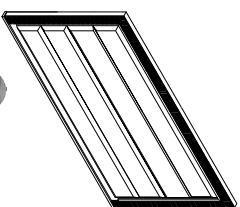
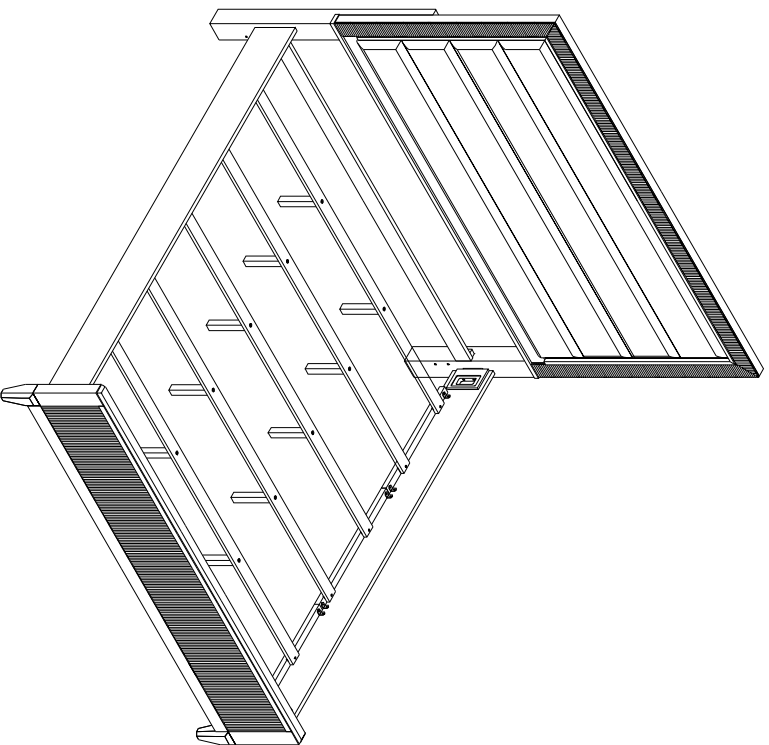
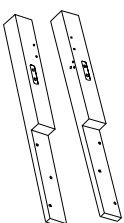


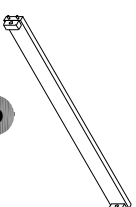
PARTS LIST / LISTE DES PIÈCES / LISTA DE PIEZAS
 ITEM NO. / NO D'ARTICLE / ARTICULO NO. : **361180/181/172**
 DESCRIPTION / LA DESCRIPTION / DESCRIPCIÓN: **KING BED / TRÈS GRAND LIT/CAMA TAMAÑO KING**



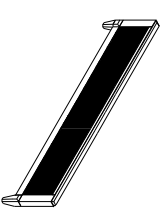
- A**
- x1 Headboard panel
 - x1 Tête de lit
 - x1 Panel de la cabecera



- B**
- x1 Headboard Legs (Left & Right) *
 - x1 Pattes de la tête de lit (gauche et droite)
 - x1 Patas de cabecera (izquierda y derecha)



- C**
- x1 Safety Rail *
 - x1 Garde-corps
 - x1 Baranda de seguridad



- D**
- x1 Footboard Panel
 - x1 Pied de lit
 - x1 Panel de pie de cama



- E**
- x2 Side Rail
 - x2 Traverse
 - x2 Travesaño lateral



- F**
- x5 Slat *
 - x5 Lattes
 - x5 Listón



- G**
- x10 Center leg *
 - x10 Pattes centrales
 - x10 Patas centrales



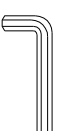
- H**
- x8 Allen bolt $\phi 5/16$ "x45mm *
 - x8 Vis à tête creuse hexagonale $\phi 5/16$ "x45mm
 - x8 Perno Allen $\phi 5/16$ "x45mm



- I**
- x16 Look washer $\phi 5/16$ " *
 - x16 Rondelle de blocage $\phi 5/16$ "
 - x16 Arandela de Seguridad $\phi 5/16$ "



- J**
- x8 Flat Washer $\phi 5/16$ "x19x2mm *
 - x8 Rondelle plate $\phi 5/16$ "x19x2mm
 - x8 Arandela plana $\phi 5/16$ "x19x2mm



- K**
- x1 Allen Key 5mm *
 - x1 Clé hexagonale 5mm
 - x1 Llave Allen5mm



- L**
- x8 Hanger Bolt $\phi 5/16$ "x88mm *
 - x8 Boulon-vis $\phi 5/16$ "x88mm
 - x8 Perno de suspensión $\phi 5/16$ "x88mm



- M**
- x8 Flat Washer $\phi 5/16$ "x16x2mm *
 - x8 Rondelle plate $\phi 5/16$ "x16x2mm
 - x8 Arandela plana $\phi 5/16$ "x16x2mm



- N**
- x8 Hex nut $\phi 5/16$ " *
 - x8 Ecrou hexagonal $\phi 5/16$ "
 - x8 Tuerca hexagona $\phi 5/16$ "

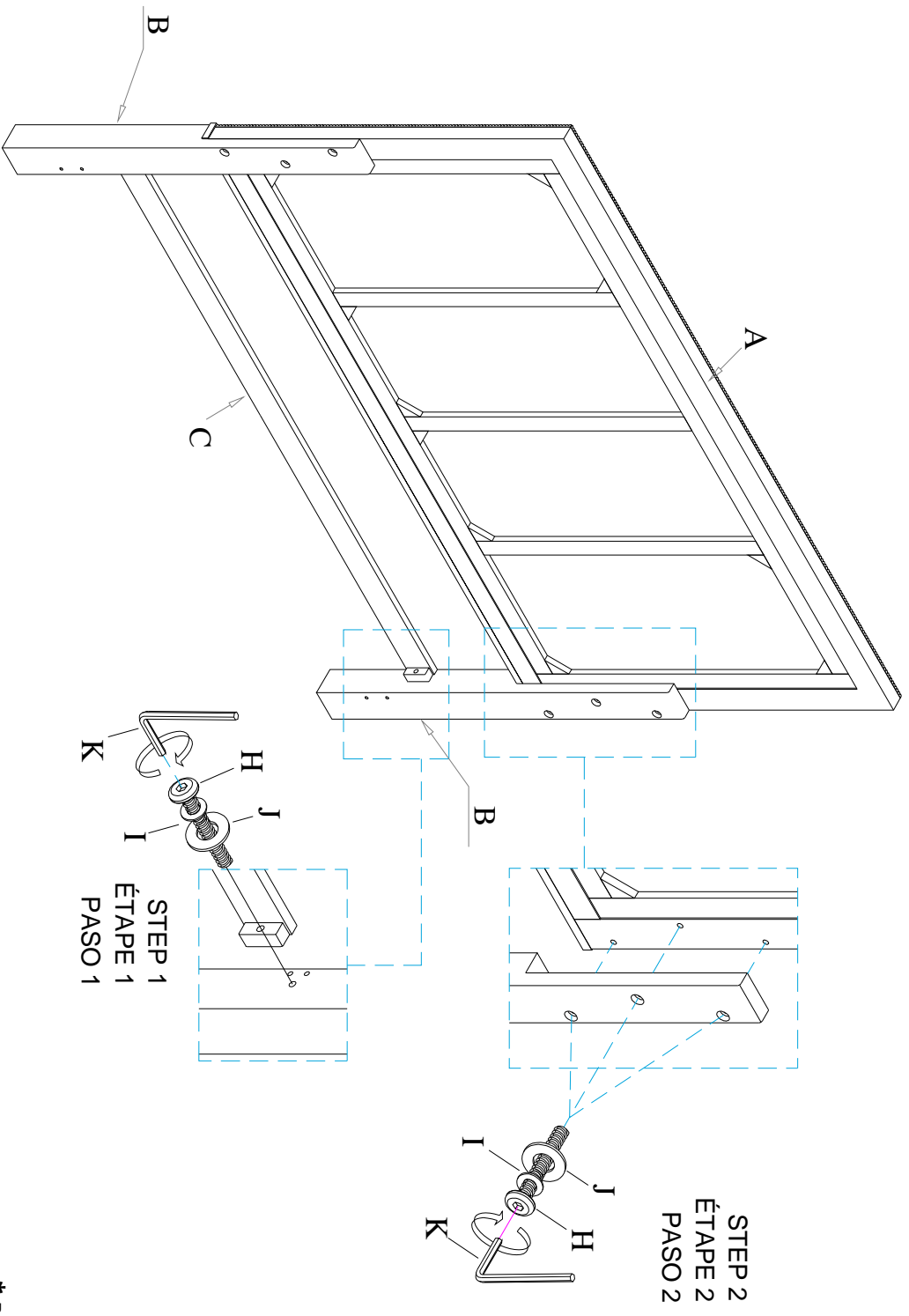


- P**
- x1 Open Wrench $\phi 5/16$ " *
 - x1 Clé à fourche $\phi 5/16$ "
 - x1 Llave de boca $\phi 5/16$ "

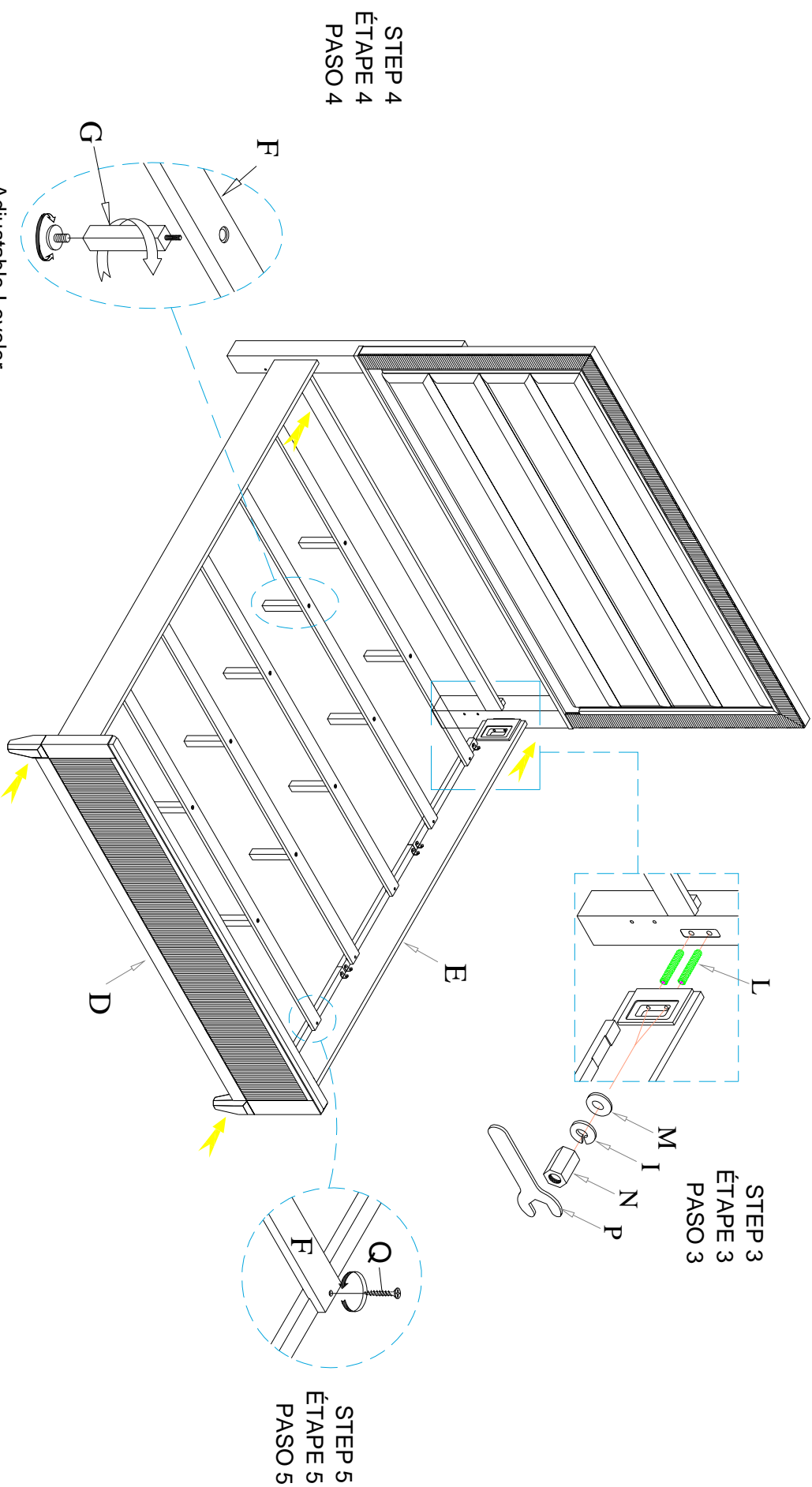


- Q**
- x10 Wood Screw #8x25mm *
 - x10 Vis à bois #8x25mm
 - x10 Tornillo para madera #8x25mm

* Replaceable Part



* Replaceable Part



STEP 4
ÉTAPE 4
PASO 4

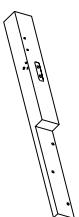
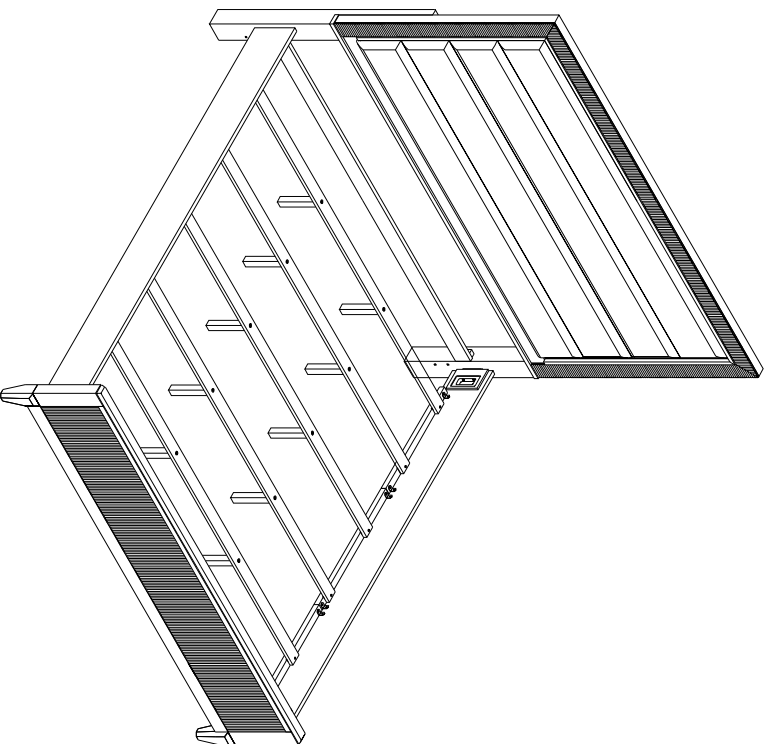
Adjustable Leveler

STEP 3
ÉTAPE 3
PASO 3

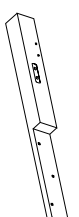
STEP 5
ÉTAPE 5
PASO 5

* Replaceable Part

REPLACEABLE PART / PARTIE REMPLAÇABLE / PARTE REEMPLAZABLE
 ITEM NO. / NO D'ARTICLE / ARTICULO NO. : P361 180/181/172
 DESCRIPTION / LA DESCRIPTION / DESCRIPCIÓN: KING BED / TRÈS GRAND LIT / CAMA TAMAÑO KING



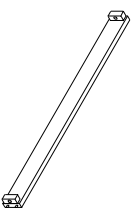
x1 RP361 180-LEGL-Left Leg *
 Patte de gauche
 Pata izquierda



x1 RP361 180-LEGR-Right Leg *
 Patte de droite
 Pata derecha



x1 RP361 180-HWKIT-Hardware Kit *
 Liste des pièces de quincaillerie
 Lista del kit de materiales



x1 RP361 180-STRE-Stratcher *
 Traverse
 Travesaño



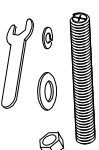
x5 RP361 181-SLAT-Slat *
 Lattes
 Listones



x5 RP361 171-SULEG-SULEG-Slat Support Leg *
 Pattes centrales
 Patas centrales



x10 RP361 171-SCREW-SCREW-Screw *
 Vis à bois
 Tornillo para madera



x1 RP361 172-HWKIT-Hardware *
 Liste des pièces de quincaillerie
 Lista del kit de materiales

* Replaceable Part

Protect Your Wood or Laminate Flooring

* This statement applies to any floor without carpet.

If not careful, all furniture including upholstery and case pieces can scratch, scuff and even gouge floors. The recommendation is to have felt, rubber pads or area rugs under furniture on flooring without carpet.

Moving your furniture

Pushing and dragging furniture over floor without carpet can lead to scratches and scuffs. Have someone help when moving the larger pieces of furniture by lifting, try using a dolly or moving pads.

Felt and rubber pads

Applying furniture pads to the feet of furniture helps cushion contact points. Furniture pads can be found at local hardware stores. Felt pads slide easily across the floor, making them ideal for dining chairs and other pieces that move with use. Rubber pads will help furniture stay in place and are perfect for larger pieces, like sofas and loveseats.

Area rugs and rug pads

Using an are rug under furniture is another way to protect your floor from scratches and scuff marks. A rug pad under the area rug will provide extra cushion and added protection.

* *Reproachable Part*