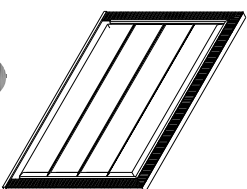
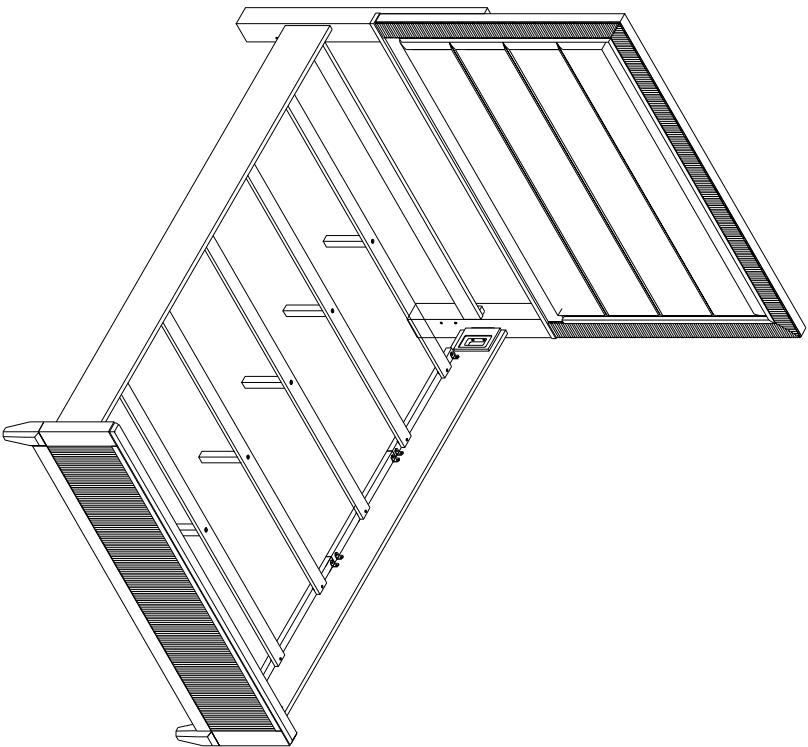
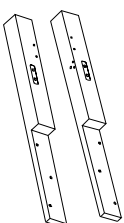


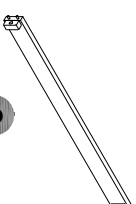
PARTS LIST / LISTE DES PIÈCES / LISTA DE PIEZAS
ITEM NO. / NO D'ARTICLE / ARTICULO NO. : P361 170/171/172
DESCRIPTION / LA DESCRIPTION / DESCRIPCIÓN: QUEEN BED/ GRAND LIT/CAMA QUEEN



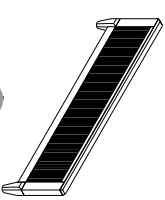
- A**
- x1 Headboard panel
 - x1 Tête de lit
 - x1 Panel de la cabecera



- B**
- x1 Headboard Legs (Left & Right) *
 - x1 Pattes de la tête de lit (gauche et droite)
 - x1 Patas de cabecera (izquierda y derecha)



- C**
- x1 Safety Rail *
 - x1 Garde-corps
 - x1 Baranda de seguridad



- D**
- x1 Footboard Panel
 - x1 Pied de lit
 - x1 Panel de pie de cama



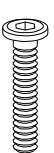
- E**
- x2 Side Rail
 - x2 Traverse
 - x2 Travesaño lateral



- F**
- x5 Slats *
 - x5 Lattes
 - x5 Listón



- G**
- x5 Center leg *
 - x5 Pattes centrales
 - x5 Patas centrales



- H**
- x8 Allen bolt $\phi 5/16$ "x45mm *
 - x8 Vis à tête creuse hexagonale $\phi 5/16$ "x45mm
 - x8 Perno Allen $\phi 5/16$ "x45mm



- I**
- x16 Lock washer $\phi 5/16$ " *
 - x16 Rondelle de blocage $\phi 5/16$ "
 - x16 Arandela de Seguridad $\phi 5/16$ "



- J**
- x8 Flat Washer $\phi 5/16$ "x19x2mm *
 - x8 Rondelle plate $\phi 5/16$ "x19x2mm
 - x8 Arandela plana $\phi 5/16$ "x19x2mm



- K**
- x1 Allen Key 5mm *
 - x1 Clé hexagonale 5mm
 - x1 Llave Allen5mm



- L**
- x8 Hanger Bolt $\phi 5/16$ "x88mm *
 - x8 Boulon-vis $\phi 5/16$ "x88mm
 - x8 Perno de suspensión $\phi 5/16$ "x88mm



- M**
- x8 Flat Washer $\phi 5/16$ "x16x2mm *
 - x8 Rondelle plate $\phi 5/16$ "x16x2mm
 - x8 Arandela plana $\phi 5/16$ "x16x2mm



- N**
- x8 Hex nut $\phi 5/16$ " *
 - x8 Ecrou hexagonal $\phi 5/16$ "
 - x8 Tuerca hexagona $\phi 5/16$ "



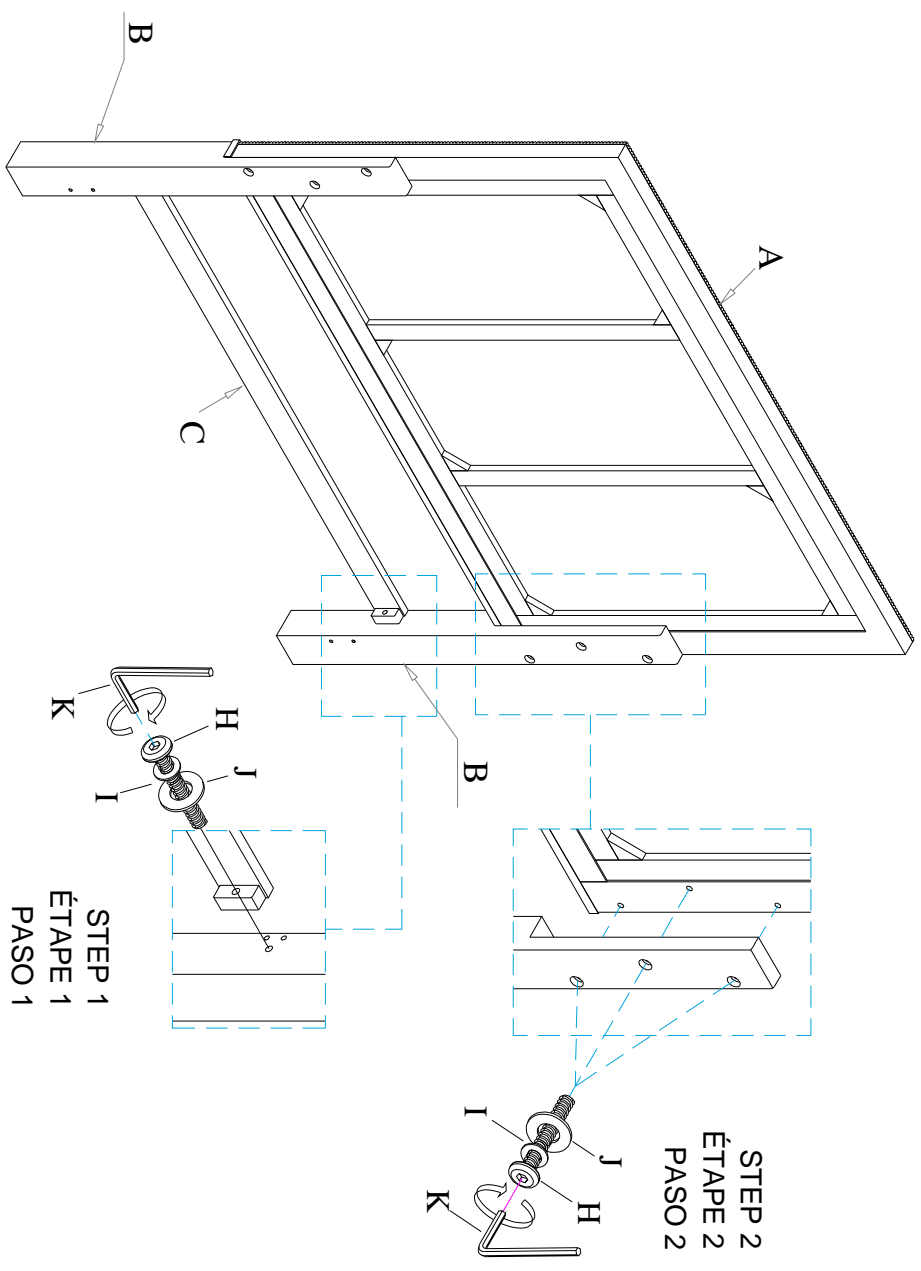
- P**
- x1 Open Wrench $\phi 5/16$ " *
 - x1 Clé à fourche $\phi 5/16$ "
 - x1 Llave de boca $\phi 5/16$ "



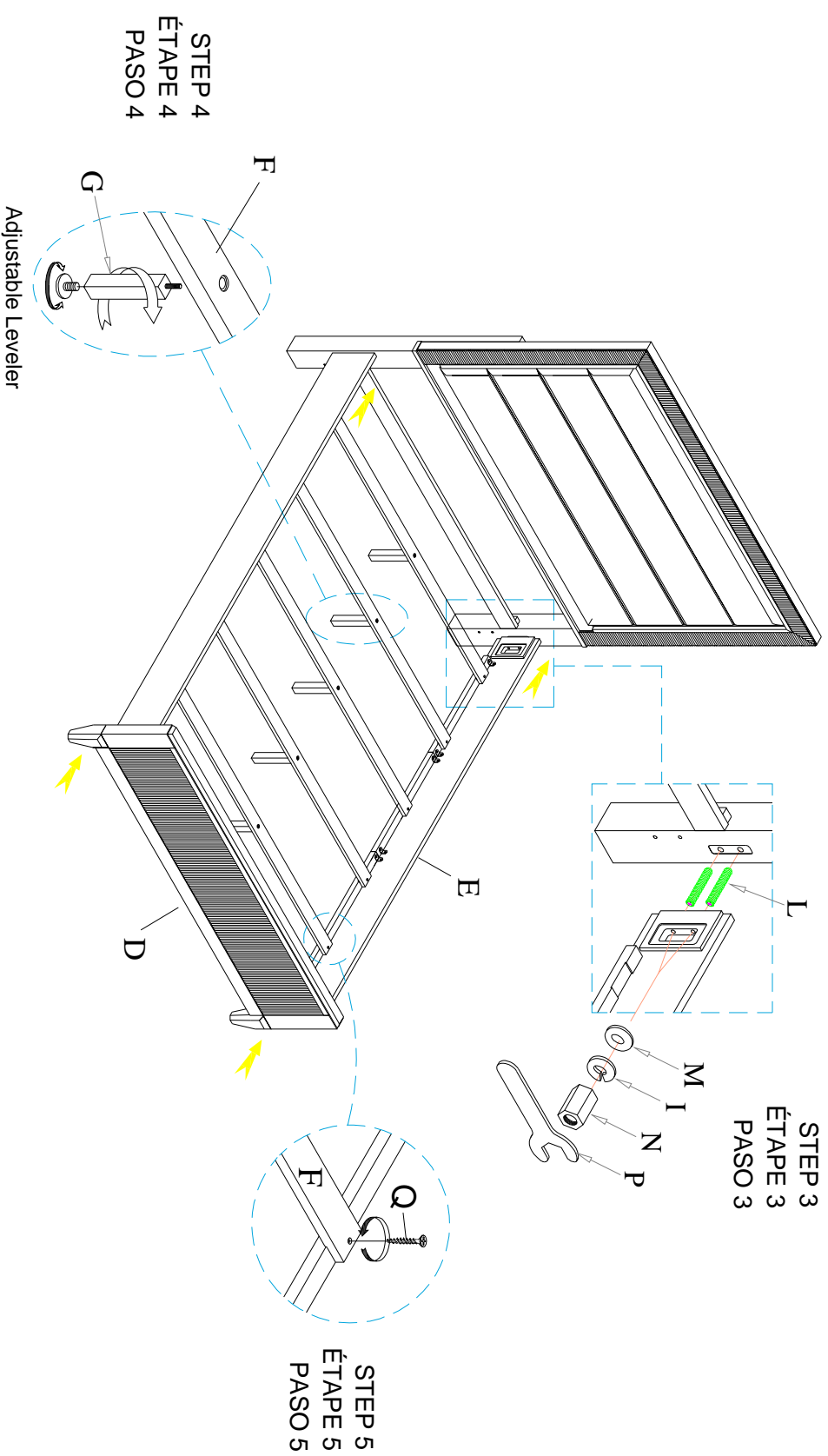
- Q**
- x10 Wood Screw #8x25mm *
 - x10 Vis à bois #8x25mm
 - x10 Tornillo para madera #8x25mm

* Replaceable Part

ASSEMBLY INSTRUCTIONS/ NOTICE DE MONTAGE/ INSTRUCCIONES DE MONTAJE
 ITEM NO./ NO D'ARTICLE/ ARTICULO NO. : **P361170/171/172**
 DESCRIPTION/ LA DESCRIPTION /DESCRIPCIÓN: QUEEN BED/ GRAND LIT/CAMA QUEEN



* Replaceable Part

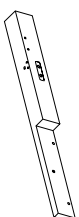
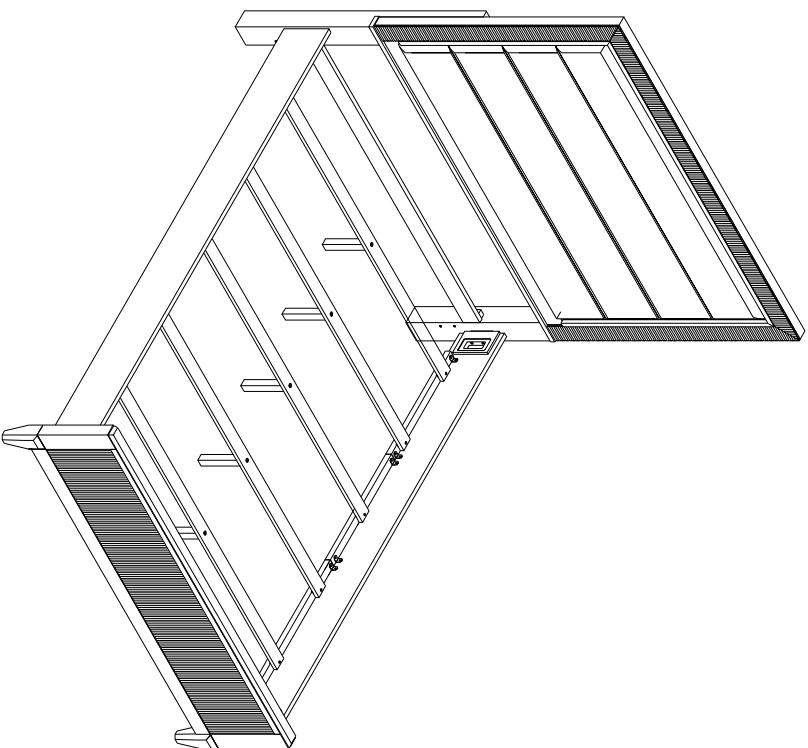


* Replaceable Part

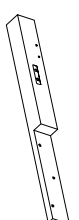
REPLACEABLE PART / PARTIE REMPLAÇABLE / PARTE REEMPLAZABLE

ITEM NO./ NO D'ARTICLE/ARTICULO NO. : P361170/171/172

DESCRIPTION/ LA DESCRIPTION /DESCRIPCIÓN: QUEEN BED/ GRAND LIT/CAMA QUEEN



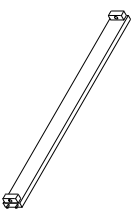
x1 RP361170-LEGL-Left Leg *
Patte de gauche
Pata izquierda



x1 RP361170-LEGR-Right Leg *
Patte de droite
Pata derecha



x1 RP361170-HWKIT-Hardware Kit *
Liste des pièces de quincaillerie
Lista del kit de materiales



x1 RP361170-STRE-Stretcher *
Traverse
Travesaño



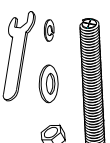
x5 RP361171-SLAT-Slat *
Lattes
Listones



x5 RP361171-SULEG-Slat Support Leg *
Pattes centrales
Patatas centrales



x10 RP361171-SCREW-Screw *
Vis à bois
Tornillo para madera



x1 RP361172-HWKIT-Hardware *
Liste des pièces de quincaillerie
Lista del kit de materiales

* Replaceable Part

Protect Your Wood or Laminate Flooring

* This statement applies to any floor without carpet.

If not careful, all furniture including upholstery and case pieces can scratch, scuff and even gouge floors. The recommendation is to have felt, rubber pads or area rugs under furniture on flooring without carpet.

Moving your furniture

Pushing and dragging furniture over floor without carpet can lead to scratches and scuffs. Have someone help when moving the larger pieces of furniture by lifting, try using a dolly or moving pads.

Felt and rubber pads

Applying furniture pads to the feet of furniture helps cushion contact points. Furniture pads can be found at local hardware stores. Felt pads slide easily across the floor, making them ideal for dining chairs and other pieces that move with use. Rubber pads will help furniture stay in place and are perfect for larger pieces, like sofas and loveseats.

Area rugs and rug pads

Using an are rug under furniture is another way to protect your floor from scratches and scuff marks. A rug pad under the area rug will provide extra cushion and added protection.

* *Replaceable Part*