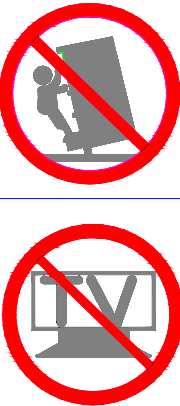


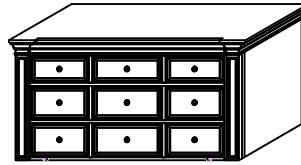
WARNING



Children have died from furniture tip-over. To reduce the risk of furniture tip-over :

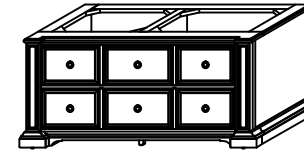
- ALWAYS install tipover restraint provided.
- NEVER put a TV on this product.
- NEVER allow children to stand, climb or hang on drawers, doors, or shelves.
- NEVER open more than one drawer at a time.
- Place heaviest items in the lowest drawers.

*This is a permanent label.
Do not remove !*



A

- x1 Master Chest Deck
- x1 Partie supérieure de commode
- x1 Parte superior de Cómoda



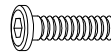
B

- x1 Master Chest Base *
- x1 Base de Commode
- x1 Base de Cómoda



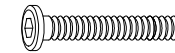
C

- x2 Bracket *
- x2 Ferrure
- x2 Ménsula



D

- x4 Allen Bolt Ø1/4" x 25mm *
- x4 Vis à tête creuse hexagonale Ø1/4 " x 25mm
- x4 Perno Allen Ø1/4 " x 25mm



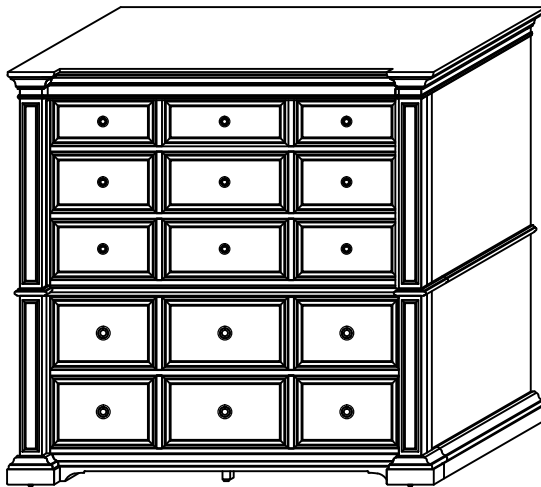
E

- x2 Allen Bolt Ø1/4" x 45mm *
- x2 Vis à tête creuse hexagonale Ø1/4 " x 45mm
- x2 Perno Allen Ø1/4 " x 45mm



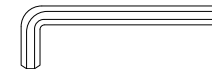
F

- x6 Lock Washer Ø1/4" *
- x6 Rondelle de blocage Ø1/4 "
- x6 Arandela de seguridad Ø1/4 "



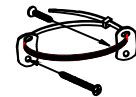
G

- x6 Flat Washer Ø1/4" *
- x6 Rondelle de plate Ø1/4 "
- x6 Arandela plana Ø1/4 "



H

- x1 Allen Key 4mm *
- x1 Clé hexagonale 4mm
- x1 Llave allen 4mm

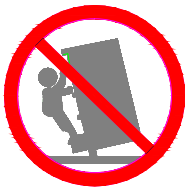


I

- x2 Anti-tipping Restraint *
- x2 Systeme antibasculement
- x2 Control para evitar vulcos

* Replaceable Part

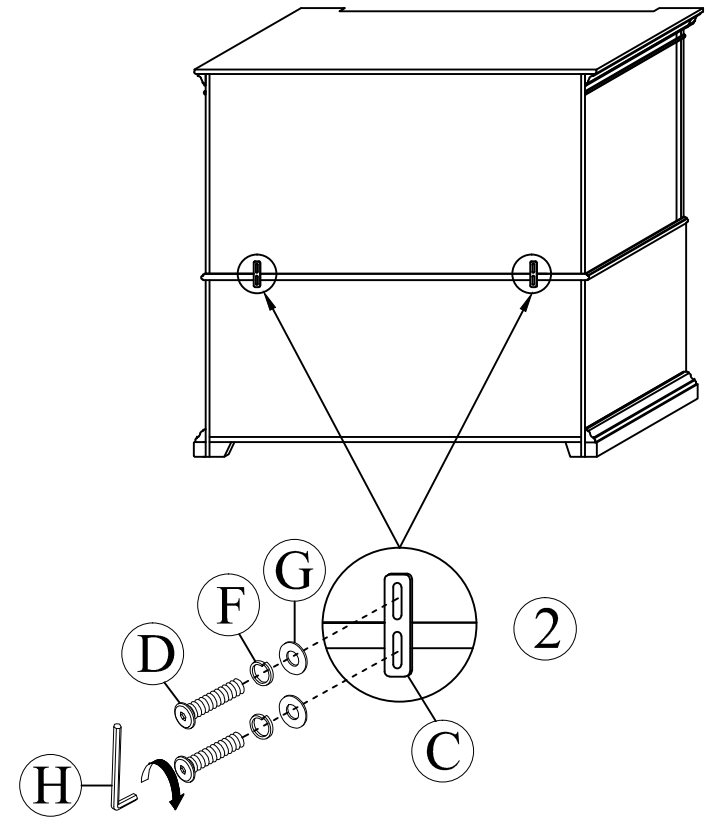
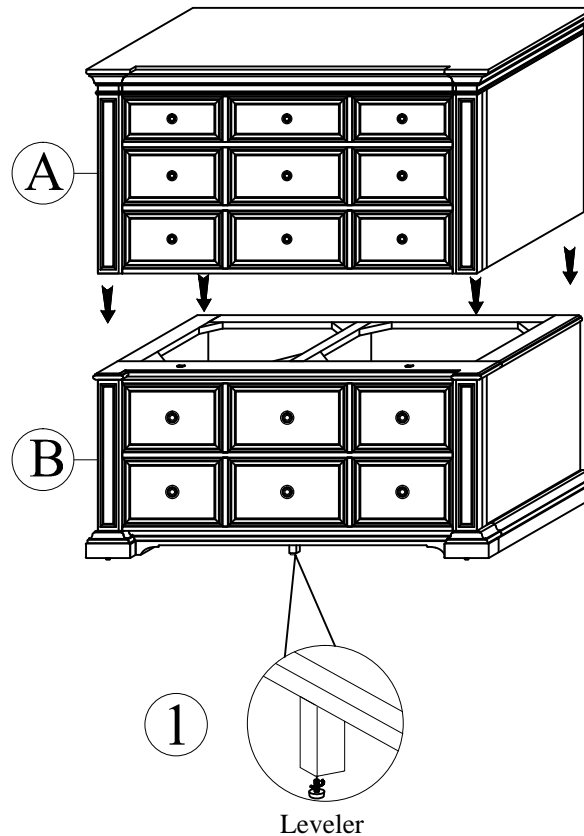
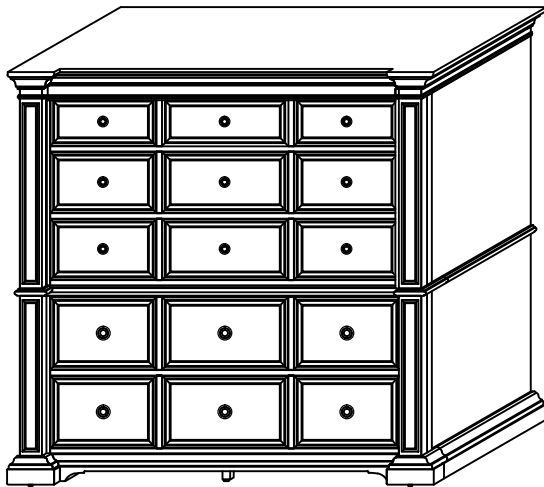
WARNING



Children have died from furniture tip-over. To reduce the risk of furniture tip-over :

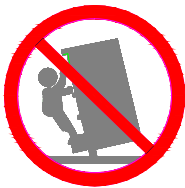
- ALWAYS install tipover restraint provided.
- NEVER put a TV on this product.
- NEVER allow children to stand, climb or hang on drawers, doors, or shelves.
- NEVER open more than one drawer at a time.
- Place heaviest items in the lowest drawers.

*This is a permanent label.
Do not remove !*



* Replaceable Part

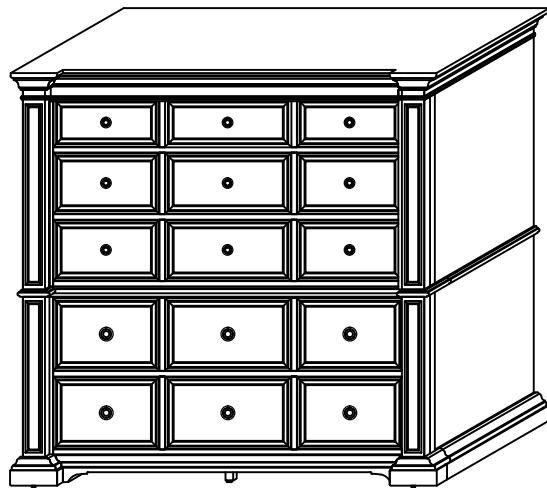
WARNING



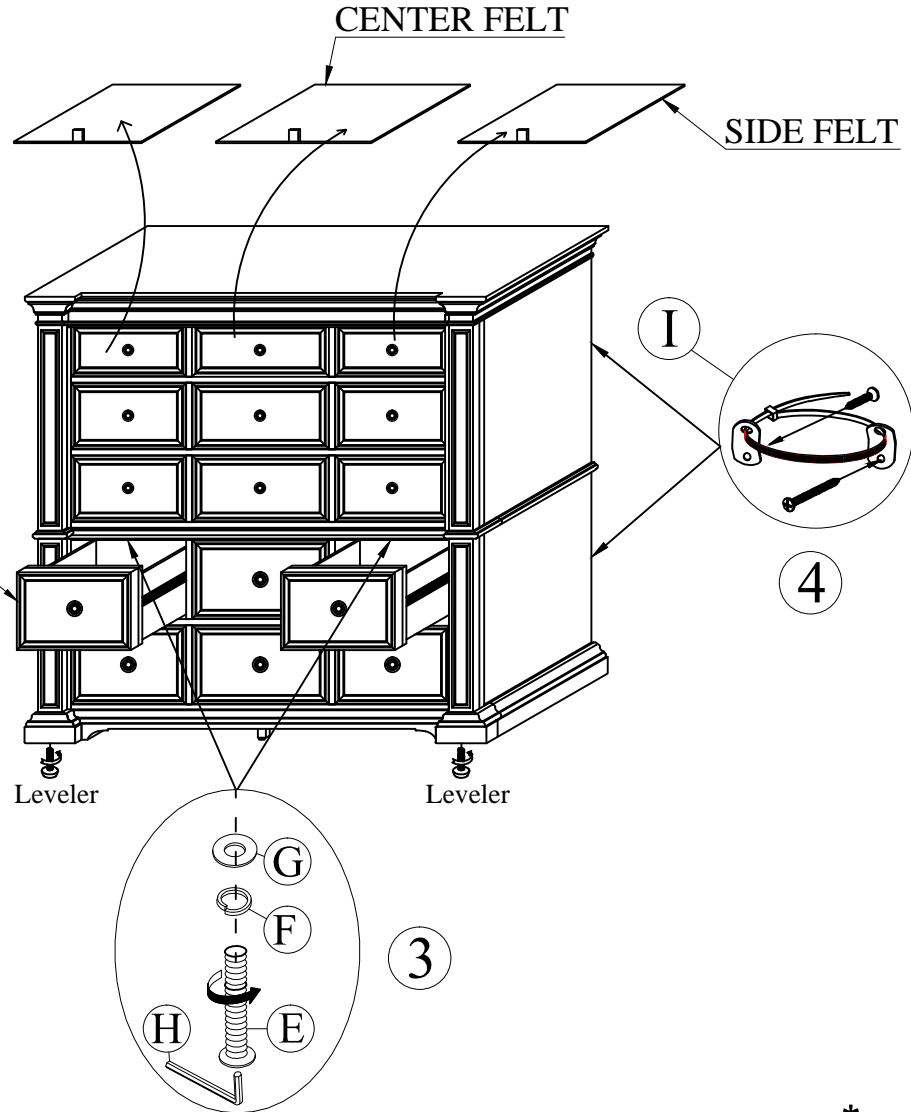
Children have died from furniture tip-over. To reduce the risk of furniture tip-over :

- ALWAYS install tipover restraint provided.
- NEVER put a TV on this product.
- NEVER allow children to stand, climb or hang on drawers, doors, or shelves.
- NEVER open more than one drawer at a time.
- Place heaviest items in the lowest drawers.

*This is a permanent label.
Do not remove !*



PULL DRAWER



* Replaceable Part

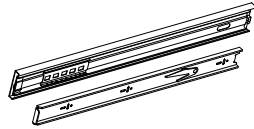
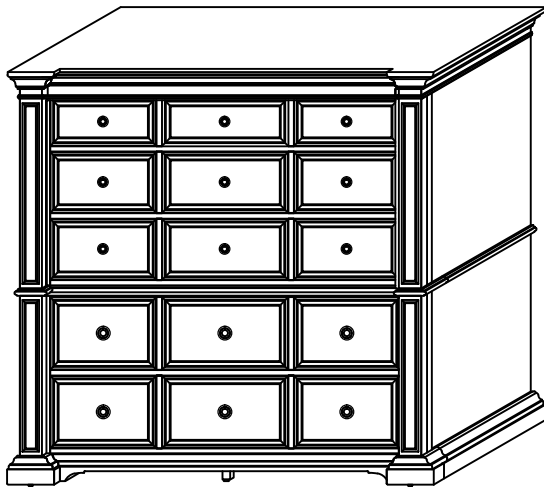
WARNING



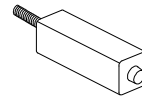
Children have died from furniture tip-over. To reduce the risk of furniture tip-over :

- ALWAYS install tipover restraint provided.
- NEVER put a TV on this product.
- NEVER allow children to stand, climb or hang on drawers, doors, or shelves.
- NEVER open more than one drawer at a time.
- Place heaviest items in the lowest drawers.

*This is a permanent label.
Do not remove !*



x15 COMGLIDE-12-45
Common Glide 12 inch 45 mm*
Glissière
Carril de deslizamiento



x1 RP351127-CELEG
Center Leg Support *
Support central
Soporte para la pata central



x3 RC-FG-BROWN
Brown Leveler*
Patin réglable
Nivelador



x2 RC-BR-NAIL
Brown Plastic Nail *
Clou en plastique
Clavo de plástico



x1 RP351128-CEFELT
Center Removable Felt *
Feutre
Fieltro



x2 RP351128-SFELT
Side Removable Felt *
Feutre
Fieltro



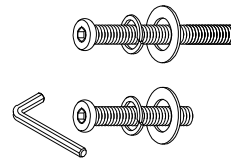
x6 RP351100 KNOBB
Big Knob with screw*
Poignée et vis
Tirador y Tornillo



x9 RP351100 KNOBS
Small Knob with screw*
Poignée et vis
Tirador y Tornillo



x2 RC-ANTI-TIP *
Anti-tipping Restraint *
Système antibasculement
Control para evitar vulcos



x1 RP351-128-HWKIT
Hardware Kit *
Kit de matériel
Kit de hardware



x2 RP351-128-BRACKET
Bracket *
Ferrure
Ménsula

* Replaceable Part