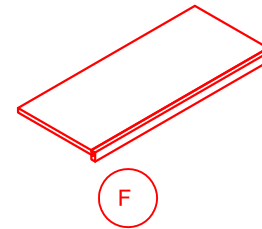
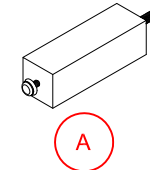


x4 Adjustable Shelf-Side  
x4 Tablette ajustable  
x4 Estante ajustable



x1 Adjustable Shelf-Center  
x1 Tablette ajustable  
x1 Estante ajustable



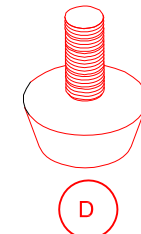
x1 Center Leg  
x1 Pattes centrales  
x1 Patas centrales



x20 Shelf Supports  
x20 Supports Pour Tablette  
x20 Soporte De Las Repisas



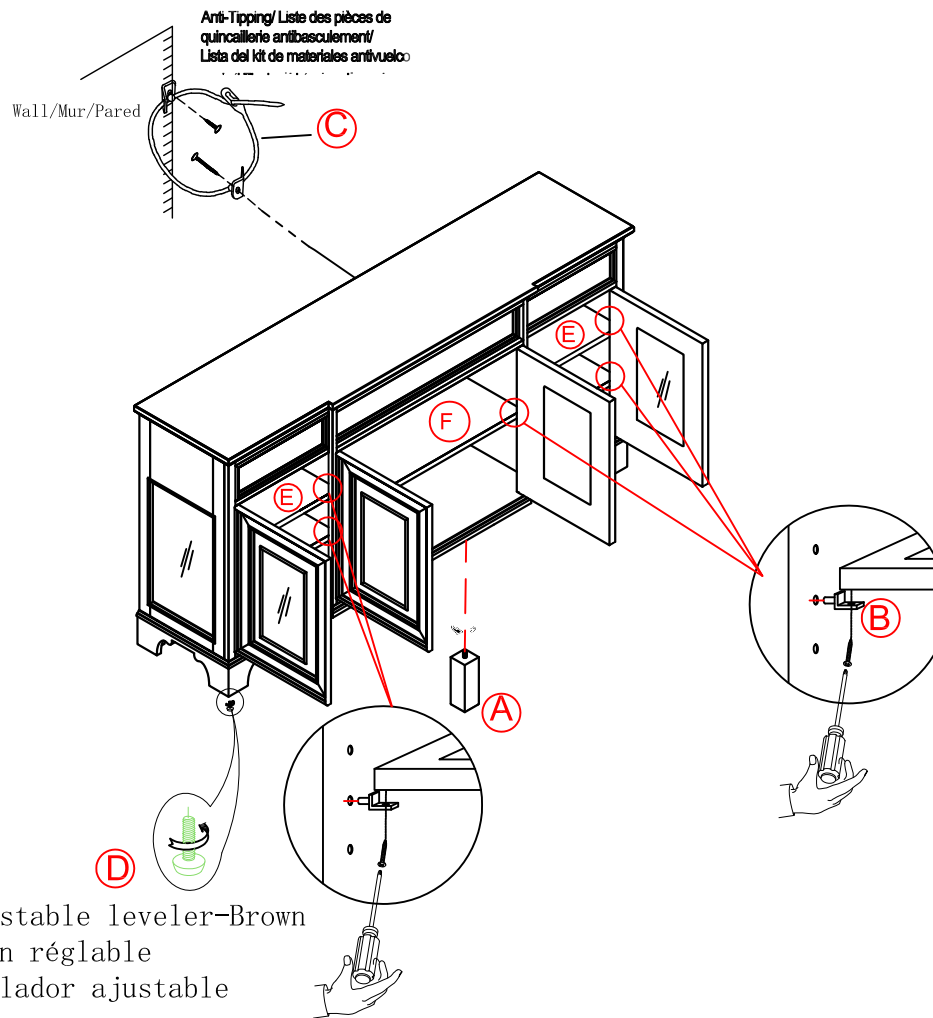
x1 Tipping restraint  
x1 Liste des pièces de quincaillerie antibasculement  
x1 Abrazadera antivuelco



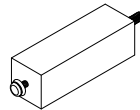
x3 Adjustable leveler-Brown  
x3 Patin réglable  
x3 Nivelador ajustable

\* Replaceable Part

WARNING	
	<p>Children have died from furniture tipover. To reduce the risk of furniture tipover:</p> <ul style="list-style-type: none"> <li>• ALWAYS install tipover restraint provided.</li> <li>• NEVER put a TV on this product.</li> <li>• NEVER allow children to stand, climb or hang on drawers, doors, or shelves.</li> <li>• NEVER open more than one drawer at a time.</li> <li>• Place heaviest items in the lowest drawers.</li> </ul> <p><i>This is a permanent label. Do not remove!</i></p>
	



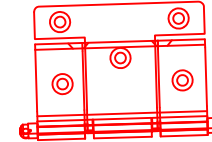
\* Replaceable Part



RP348302-CELEG \*  
x1 Center Leg  
x1 Pattes centrales  
x1 Patas centrales



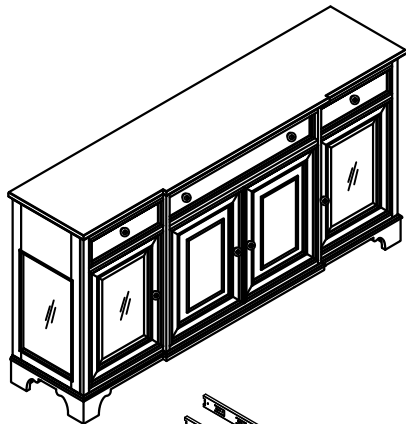
RP348100-KNOB \*  
x8 Pull with screw  
x8 Tirer et vis  
x8 Tire y Tornillo



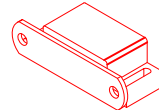
RP348302-HINGE \*  
x8 Door Hinge  
x8 Charnière de porte  
x8 Bisagra de la puerta



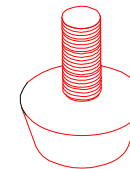
RP348302-SUPP \*  
x20 Shelf Supports  
x20 Supports Pour Tablette  
x20 Soporte De Las Repisas



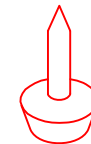
RC-ANTI-TIP \*  
x1 Tipping restraint  
x1 Liste des pièces de quincaillerie antibasculément  
x1 Abrazadera antivuelco



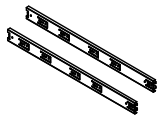
RP348302-CATCH \*  
x8 Door Catch  
x8 Catch de aimant  
x8 Captura de imã



RC-FG-BROWN \*  
x3 Adjustable leveler-Brown  
x3 Patin réglable  
x3 Nivelador ajustable



RC-BR-NAIL \*  
x2 Plastic Nail  
x2 Clou en plastique  
x2 Clavo de plástico



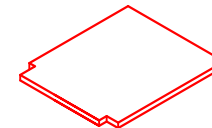
COMGLIDE-10-45  
x4 Drawer Glide 10"Lx 45mmW \*  
x4 Glissière  
x4 Carril de deslizamiento



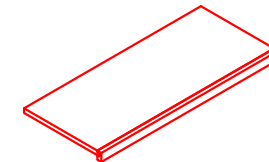
RP348302-TRAY \*  
x1 Silver Tray-Black  
x1 Feutre  
x1 Fieltro



RP348302-FELT  
x2 Removable Felt-Black \*  
x2 Feutre  
x2 Fieltro



RP348302-SSHELF \*  
x4 Adjustable Shelf-Side  
x4 Tablette ajustable  
x4 Estante ajustable



RP348302-MSHELF \*  
x1 Adjustable Shelf-Center  
x1 Tablette ajustable  
x1 Estante ajustable

\* Replaceable Part

## **Protect Your Wood or Laminate Flooring**

\*This statement applies to any floor without carpet.

If not careful, all furniture including upholstery and case pieces can scratch, scuff and even gouge floors. The recommendation is to have felt, rubber pads or area rugs under furniture on flooring without carpet.

### **Moving your furniture**

Pushing and dragging furniture over floors without carpet can lead to scratches and scuffs. Have someone help when moving the larger pieces of furniture by lifting, try using a dolly or moving pads.

### **Felt and rubber pads**

Applying furniture pads to the feet of furniture helps cushion contact points. Furniture pads can be found at local hardware stores. Felt pads slide easily across the floor, making them ideal for dining chairs and other pieces that move with use. Rubber pads will help furniture stay in place and are perfect for larger pieces, like sofas and loveseats.

### **Area rugs and rug pads**

Using an area rug under furniture is another way to protect your floor from scratches and scuff marks. A rug pad under the area rug will provide extra cushion and added protection.