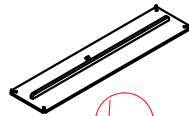


(K)

x1 Center Leg *
x1 Pattes centrales
x1 Patas centrales



(L)

x1 Bottom Shelf *
x1 Tablette du bas
x1 Estante de abajo



(M) *

x1 Left Leg
x1 jambes
x1 Piernas



(N) *

x1 Right Leg
x1 jambes
x1 Piernas



(J)

x5 Adjustable leveler-Brown *
x5 Patin réglable
x5 Nivelador ajustable



(A)

x12 Bolt 5/16*60mm *
x12 Boulon
x12 Perno



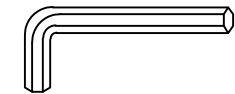
(B)

x12 Lock washer 5/16 *
x12 Rondelle de blocage
x12 Arandela de seguridad



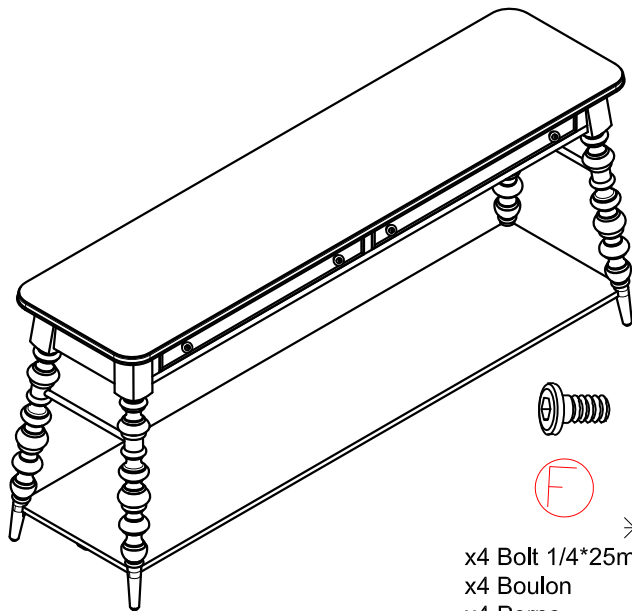
(C)

x12 Flat Washer 5/16*22mm *
x12 Rondelle plate
x12 Arandela plana



(D)

x1 Allen Wrench 73*29*5mm *
x1 Clé hexagonale
x1 Llave Allen



(F)

x4 Bolt 1/4*25mm *
x4 Boulon
x4 Perno



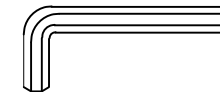
(G)

x4 Lock washer 1/4 *
x4 Rondelle de blocage
x4 Arandela de seguridad



(H)

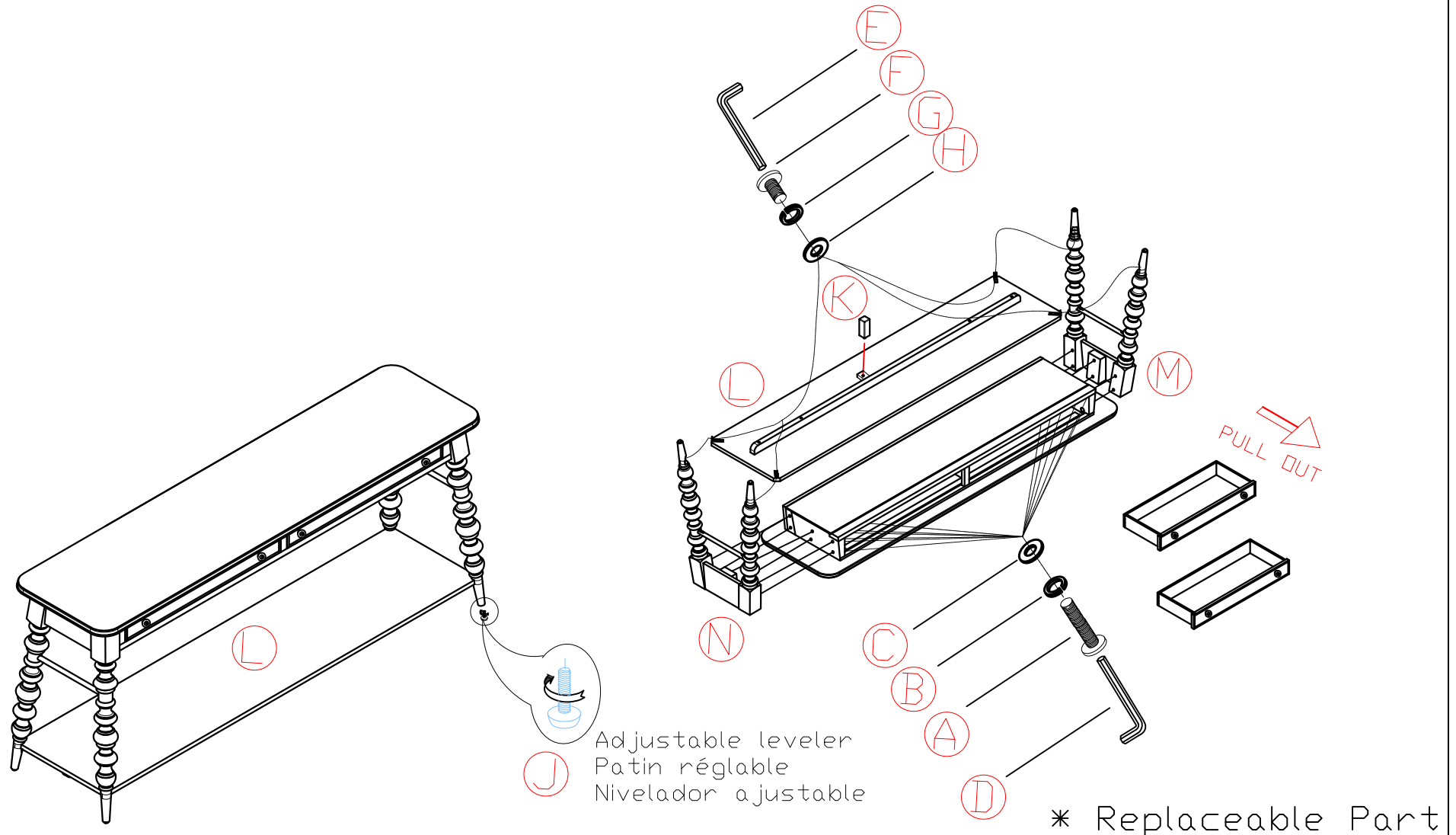
x4 Flat Washer 1/4 *
x4 Rondelle plate
x4 Arandela plana

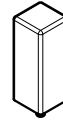
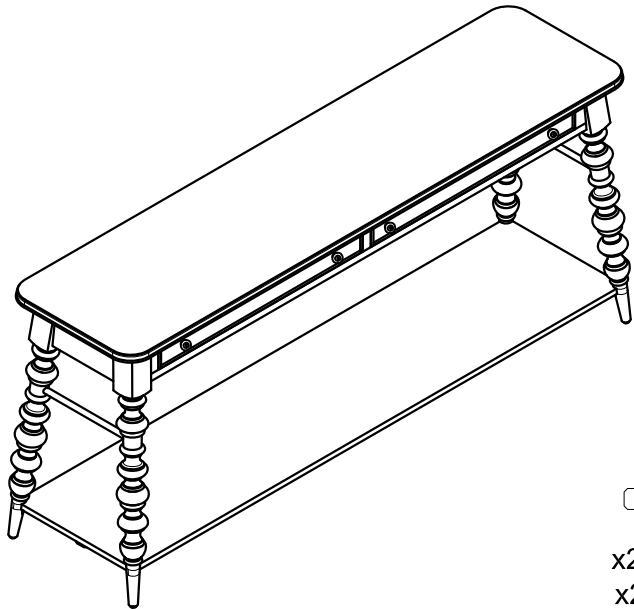


(E)

x1 Allen Wrench 69*27.2*4mm *
x1 Clé hexagonale
x1 Llave Allen

* Replaceable Part





RP348257-CELEG *
x1 Center Leg
x1 Pattes centrales
x1 Patas centrales



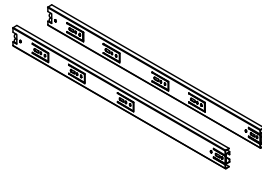
RC-FG-BROWN *
x5 Adjustable leveler-Brown
x5 Patin réglable
x5 Nivelador ajustable



RP348100-KNOB *
x4 Knob with screw
x4 Tirer et vis
x4 Tire y Tornillo



x1 RP348257-HWKIT *
Hardware Kit
Liste des pièces de quincaillerie
Lista del materiales



COMGLIDE-10-45 *

x2 Drawer Glide 10"L x 45mmW
x2 Glissière
x2 Carril de deslizamiento



RP348257-PLATE *
x4 Metal plate
x4 Plaque de métal
x4 Placa de metal

* Replaceable Part

Protect Your Wood or Laminate Flooring

*This statement applies to any floor without carpet.

If not careful, all furniture including upholstery and case pieces can scratch, scuff and even gouge floors. The recommendation is to have felt, rubber pads or area rugs under furniture on flooring without carpet.

Moving your furniture

Pushing and dragging furniture over floors without carpet can lead to scratches and scuffs. Have someone help when moving the larger pieces of furniture by lifting, try using a dolly or moving pads.

Felt and rubber pads

Applying furniture pads to the feet of furniture helps cushion contact points. Furniture pads can be found at local hardware stores. Felt pads slide easily across the floor, making them ideal for dining chairs and other pieces that move with use. Rubber pads will help furniture stay in place and are perfect for larger pieces, like sofas and loveseats.

Area rugs and rug pads

Using an area rug under furniture is another way to protect your floor from scratches and scuff marks. A rug pad under the area rug will provide extra cushion and added protection.